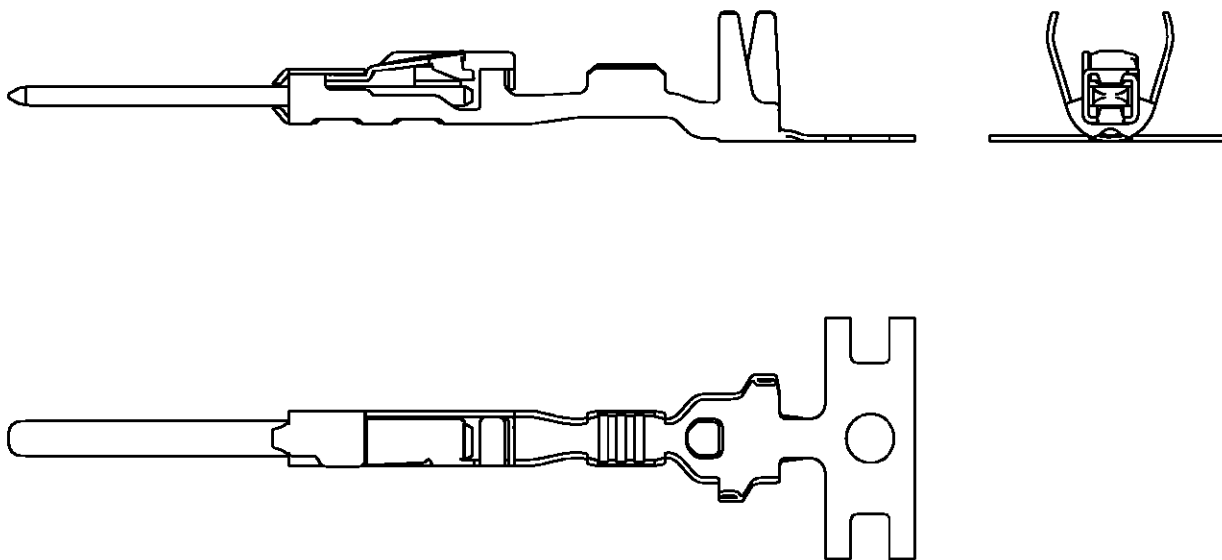


LOC	DIST	REVISIONS					
		P	LTR	DESCRIPTION	DATE	DWN	APVD
A1	-		A1	NEW DRAWING	23MAR07	R.M.	-



REFER TO PRODUCT GROUP DRAWING 1418754
FOR LATEST INFORMATION ON THE PART

Für aktuelle Information zum Teil wird auf die
Produkt - Gruppenzeichnung 1418754 hingewiesen

2001

RELEASED FOR PUBLICATION

THIS DRAWING IS UNPUBLISHED.

© COPYRIGHT 2001 BY TYCO ELECTRONICS CORPORATION. ALL RIGHTS RESERVED.

DIMENSIONS: mm	DWN	R. Liebing	23MAR07	MATERIAL	-	FINISH	-		
	CHK	R. Meier	23MAR07	tyco Electronics AMP GmbH D - 64625 Bensheim					
TOLERANCES UNLESS OTHERWISE SPECIFIED:	APVD	-	-						
0 PLC ±	PRODUCT SPEC	-	NAME						
1 PLC ±	APPLICATION SPEC	-	TAB CONTACT 1.2MM Flachstecker 1.2mm						
2 PLC ±	WEIGHT	-	SIZE	A 4	CAGE CODE	00779	DRAWING NO	C=1718758	
3 PLC ±	CUSTOMER DRAWING			RESTRICTED TO	-				
4 PLC ±	SCALE	4:1		SHEET	1	OF	1	REV	A1
ANGLES ±									