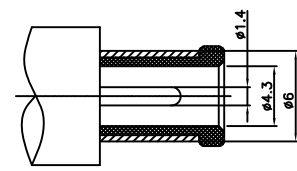
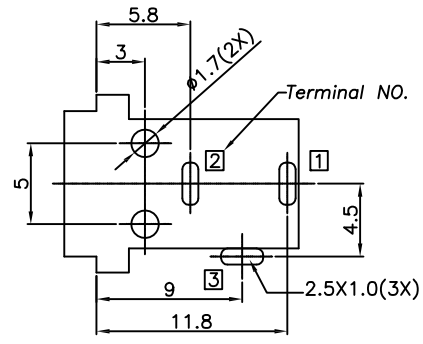
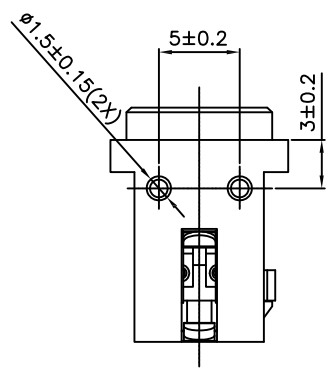
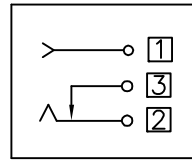
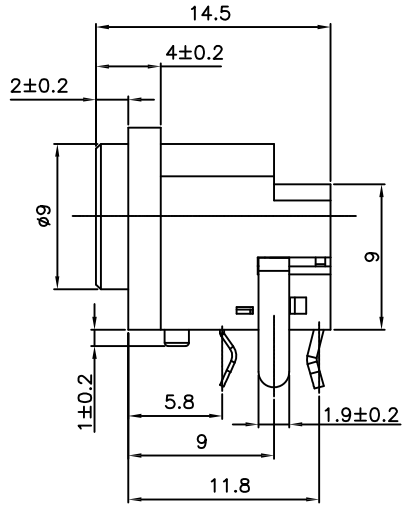
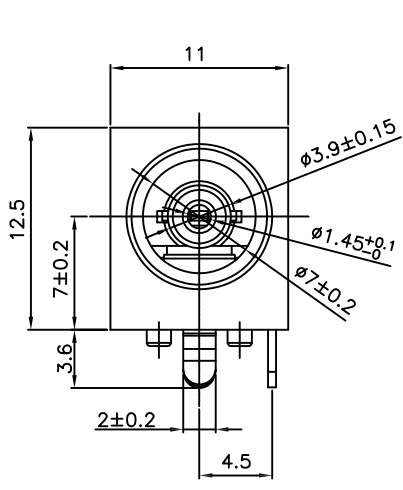


APPROVED: _____
DATE: _____ TITLE: _____

| Rev | AWO # | Description | Date | Appr |
|-----|-------|-----------------|----------|--------|
| - | | RELEASED | 7/7/8 | |
| A | | REDRAWN | 4/8/11 | |
| B | | UPDATED DRAWING | 11/16/18 | HR/AC1 |



DC MATE PLUG

RECOMMENDED PCB LAYOUT

SPECIFICATIONS:

Material:
Insulator: PA66, rated UL 94V-0
Insulator color: Black
Center Pin: Copper Alloy
Contacts: Copper Alloy
Plating:
Silver over Copper underplate overall
Electrical:
Rating: 30VDC, 2A
Contact resistance: 30 mohms max.
Insulation resistance: 100 Mohms min @ 500 VDC.
Dielectric withstanding voltage: 500 VAC
Temperature Rating:
Operating temperature: -20°C to +70°C
Environmental:
Lead free, RoHS compliant



| | |
|---|--------|
| UNLESS OTHERWISE SPECIFIED ALL DIMENSIONS ARE MILLIMETERS TOLERANCES: EXCEPT AS NOTED MM ANGLE | |
| ± 0.30 | ± 2° |
| APPROVALS | |
| DRAWN | DATE |
| CHECKED | 7/7/08 |
| APPROVED | |

ADAM TECH INTERCONNECTS

909 Rahway Avenue,
Union, NJ 07083
Phone: 908-687-5000
Fax: 908-687-5710

TITLE: 1.45mm DC POWER JACK, RIGHT ANGLE

| | | |
|--------------|-----------------------|--------------|
| SIZE X | PART NO. ADC-039-6 | REV. B |
| REF: S00002C | SCALE: NTS | SHEET 1 OF 1 |

6 5 4 3 2 1

D

D

C

C

B

B

A

A

6 5 4 3 2 1