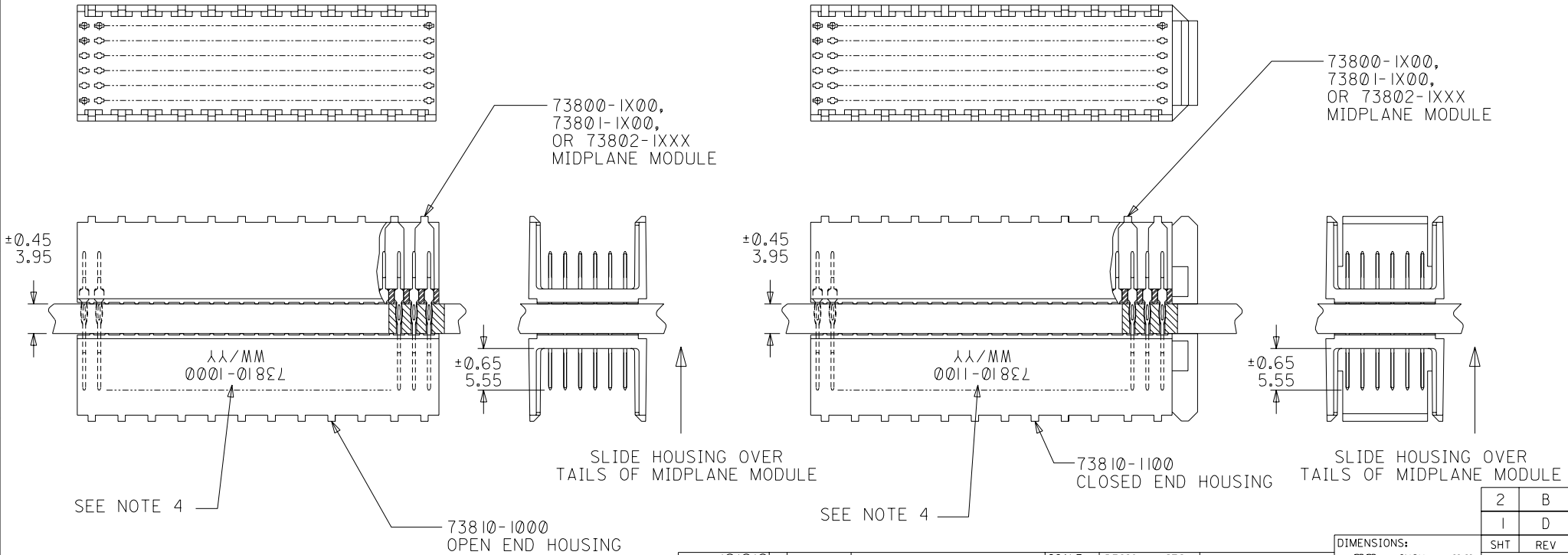


NOTES:

1. HOUSING MATERIALS: LIQUID CRYSTAL POLYMER (LCP), GLASS-FILLED, UL94V-0, COLOR: BLACK.
2. THIS PART CONFORMS TO MOLEX PRODUCT SPECIFICATION PS-73670-9999.
3. SEE DRAWINGS SD-73800-001, SD-73801-001, AND SD-73802-001 FOR DIMENSIONAL INFORMATION.
4. PARTS MARKED WITH PART NUMBER AND DATE CODE, ON EITHER SIDE, APPROXIMATELY WHERE SHOWN.
5. PARTS PACKAGED PER PK-70873-0818.



REVISED	EC NO. LCP2003-2260	DESCRIPTION	QUALITY SYMBOLS		GENERAL TOLERANCES: (UNLESS SPECIFIED)		SCALE	DESIGN UNITS	THIRD ANGLE PROJECTION	DIMENSIONS:		SHT	REV
	DRWN: THOMAS 03/04/25		MAJOR =0	mm	INCH	2 : 1	<input checked="" type="checkbox"/> mm <input type="checkbox"/> INCH	<input type="checkbox"/> mm <input type="checkbox"/> INCH <input checked="" type="checkbox"/> mm ONLY		2	B		
	CHK: BINGHAM 03/04/25			CRITICAL C=0	4 PLACES ±0.	±.	DRAWN BY & DATE	TITLE: SALES ASSEMBLY, HDM		1	D		
	APPR: REED 03/04/25				3 PLACES ±0.	±.	CHECKED BY & DATE	DOUBLE-END MIDPLANE, 144 POS.		REVISE ON CAD ONLY			
D	REV		2 PLACES ±0.05	±.	SREED 97/06/19	SLIDE-ON HOUSING		MOLEX INCORPORATED					
			1 PLACE ±0.10	±.	APPROVED BY & DATE	MATERIAL NO.		DRAWING NO.	SHEET NO.				
			ANGULAR: ± 1/2°		CAD FILENAME	SEE CHART	SD-73810-001	1 OF 2					
DRAFT WHERE APPLICABLE MUST REMAIN WITHIN DIMENSIONS					THIS DRAWING CONTAINS INFORMATION THAT IS PROPRIETARY TO MOLEX INCORPORATED AND SHOULD NOT BE USED WITHOUT WRITTEN PERMISSION.					SIZE	B		

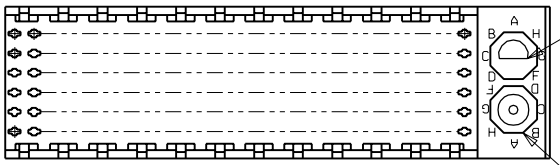
MATERIAL NUMBER ASSIGNMENT

73810- * * * *

1 = 144-CIRCUIT

0 = OPEN END VERSION
 1 = CLOSED END VERSION
 2 = POLAR/GUIDE VERSION

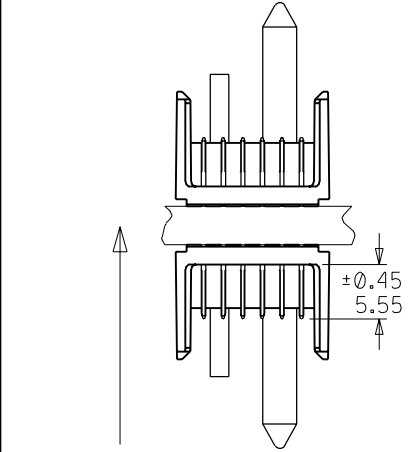
73800-1X00,
 73801-1X00,
 OR 73802-1XXX
 MIDPLANE MODULE



LOCATION B

LOCATION A

NUMBER	GUIDE POST LOCATION	POLAR KEY POSITION
00	N/A	N/A
01	B	A
02	A	A
03	B	B
04	A	B
05	B	C
06	A	C
07	B	D
08	A	D
09	B	E
10	A	E
11	B	F
12	A	F
13	B	G
14	A	G
15	B	H
16	A	H
17	B	N/A
18	A	N/A



SLIDE HOUSING OVER
 TAILS OF MIDPLANE MODULE

±0.65
 3.95

±0.45
 5.55

SEE NOTE 5

73810-12XX
 POLAR/GUIDE HOUSING

SEE SHEET 1
 EC NO. UDT2000-0443
 DRWN:JBINGHAM 99/11/04
 CHK: SREED 99/11/04
 APPR:CBIXLER 99/11/04

QUALITY SYMBOLS
 MAJOR = 0
 CRITICAL = 0

GENERAL TOLERANCES:
 (UNLESS SPECIFIED)

	mm	INCH
4 PLACES	±0.	±.
3 PLACES	±0.	±.
2 PLACES	±0.05	±.
1 PLACE	±0.10	±.

ANGULAR: ± 1/2°

SCALE 2 : 1
 DESIGN UNITS mm INCH
 DRAWN BY & DATE
 JBINGHAM 97/06/19
 CHECKED BY & DATE
 SREED 97/06/19
 APPROVED BY & DATE
 CBIXLER 97/06/19
 CAD FILENAME
 S73810X2.DGN

DIMENSIONS:
 mm INCH mm ONLY
 SHT REV
 REVISE ON CAD ONLY

TITLE: SALES ASSEMBLY, HDM
 DOUBLE-END MIDPLANE, 144 POS.
 SLIDE-ON HOUSING

MOLEX INCORPORATED

MATERIAL NO. SEE CHART
 DRAWING NO. SD-73810-001
 SHEET NO. 2

DRAFT WHERE APPLICABLE MUST REMAIN WITHIN DIMENSIONS
 THIS DRAWING CONTAINS INFORMATION THAT IS PROPRIETARY TO MOLEX INCORPORATED AND SHOULD NOT BE USED WITHOUT WRITTEN PERMISSION.
 SIZE B