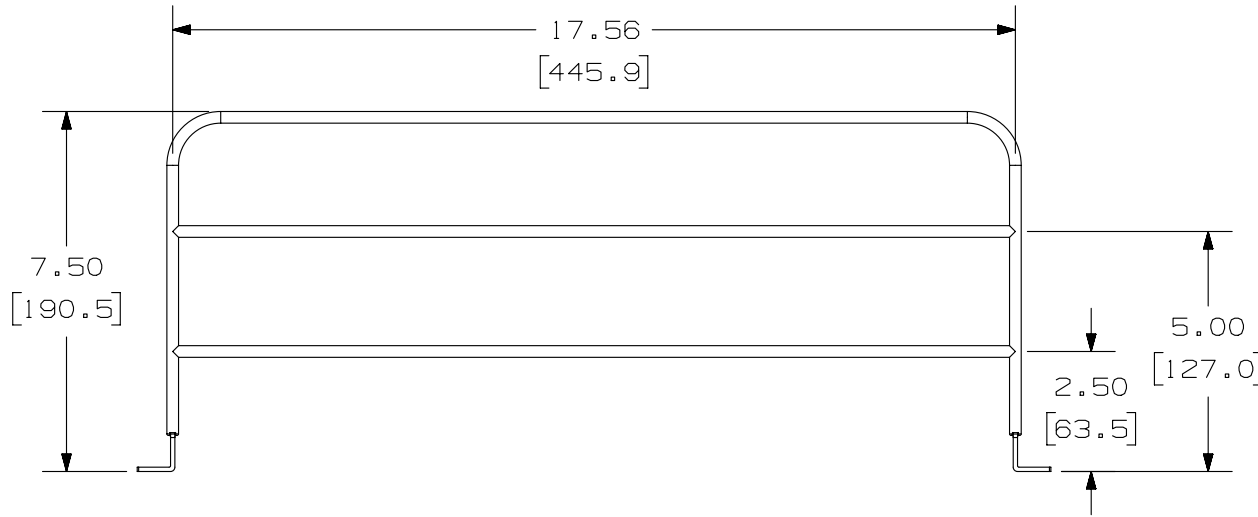
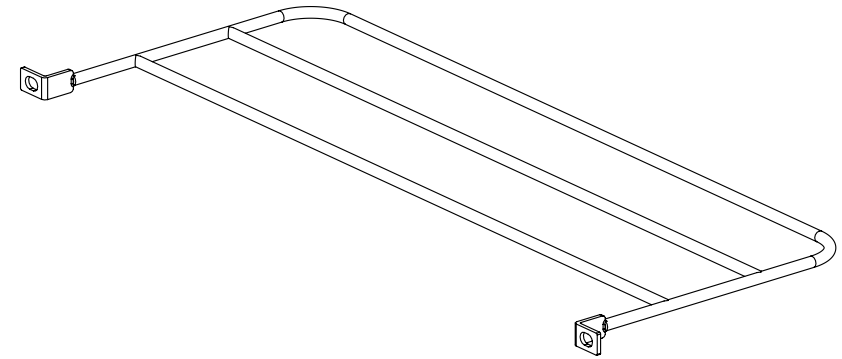
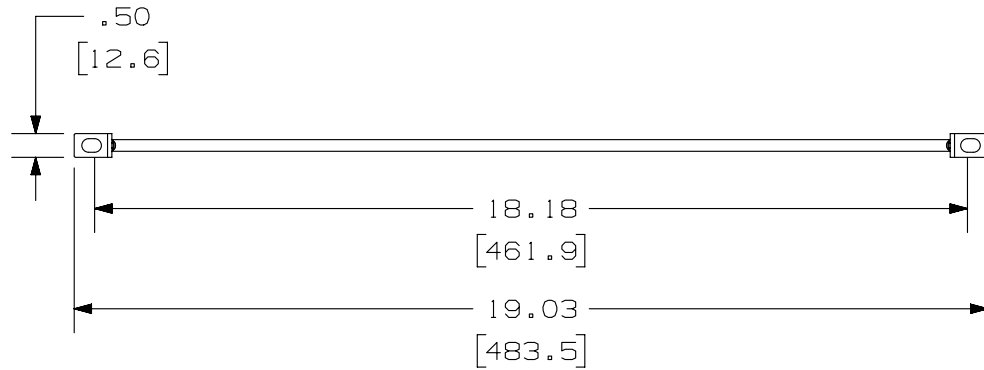


THIS COPY IS PROVIDED ON A RESTRICTED BASIS AND IS NOT TO BE USED IN ANY WAY DETRIMENTAL TO THE INTERESTS OF PANDUIT CORP.



PANDUIT P/N	WEIGHT
SRB19MDBL	.90 LB/EACH PC (407.1 g/EACH PC)

- NOTES:
- SEE CURRENT CATALOG FOR ADDITIONAL PART NUMBER SUFFIXES TO INDICATE COLOR AND OR PACKAGE QUANTITY.
  - SEE CATALOG FOR COMPLETE LIST OF PARTS APPLICABLE FOR USE WITH THIS PART.
  - DIMENSIONS IN PARENTHESES ARE IN METRIC.
  - PART INCLUDES:
    - 1- EXTENDED STRAIN RELIEF BAR
    - 1- #12-24 SCREW KIT (INCLUDES 4 SCREWS)
    - 1- M6 SCREW KIT (INCLUDES 4 SCREWS)



PART NUMBER		SRB19MDBL	
TITLE			
MULTI-DEPTH STRAIN RELIEF BAR		CUSTOMER DRAWING	
ITEM REVISION NAME		M03137AA/03	
DATASET FILE NAME		M03137AA_DC/03B	
UNLESS OTHERWISE SPECIFIED, DIMENSIONAL TOLERANCES ARE: IN (mm)		MATERIAL:	
.X ± .XX ± .03 (.8)		STEEL BAR STOCK	
.XXX ± .010 (.3)		DRAWING NUMBER:	
ANGLES ±		03137-07	
THIRD ANGLE PROJECTION		SHT 1 OF 1	
DRAWN BY	DATE	CHK	SCALE
JSP	1-14-09	MBVE	NONE
REV	DATE	BY	CHK
2	4-30-14	BJN	JSP
APR	DESCRIPTION		ECN
MMR	REVISED & REDRAWN PREVIOUS REVISIONS REMVD FOR CLARITY		03137-07

D10100DA/14

2

1

2

1