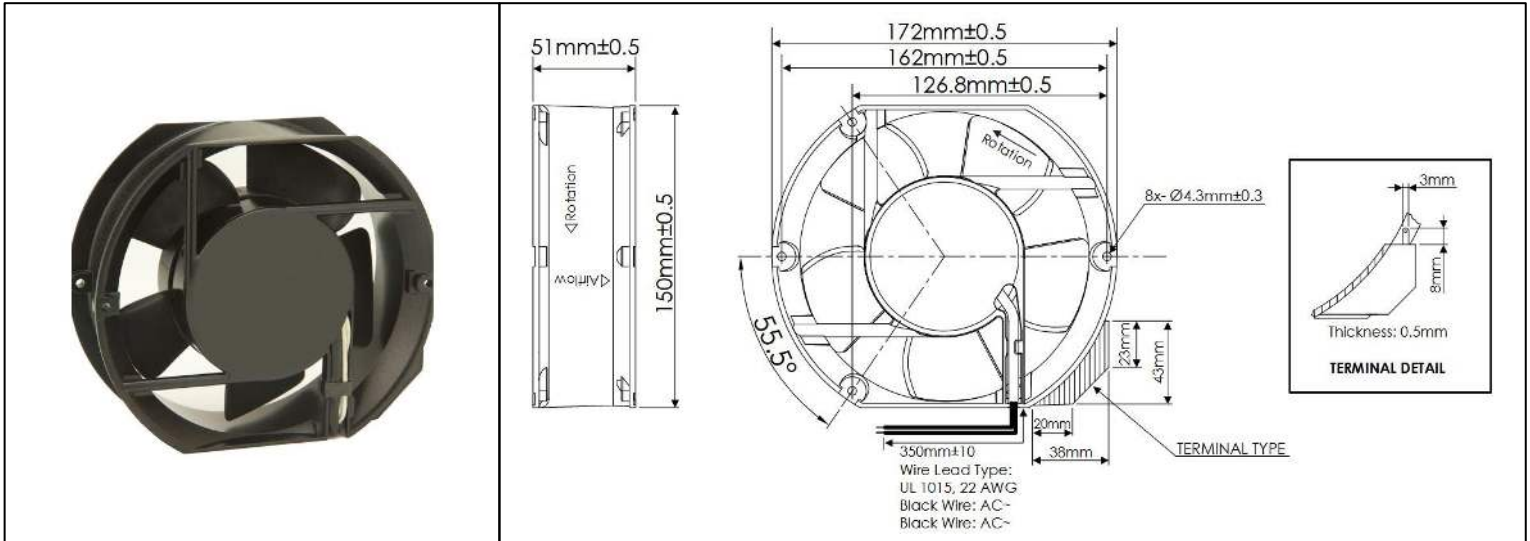


# OA172EC Series



EC Fans - 115, 230V  
172mm x 150mm x 51mm  
(6.8" x 5.9" x 2.0")



<b>Frame</b>	Die Cast Aluminum, Black Finish	<b>Operating Temperature</b> -20°C ~ +70°C  <b>Storage Temperature</b> -30°C ~ +75°C  <b>Life Expectancy</b> 50,000 Hours (L10 at 40°C)  <b>Available Options</b> PWM Speed Control Input Tachometer Output Alarm Output IP Ratings  Weight: 1.54 lbs.	
<b>Impeller</b>	PBT, UL94 V-0 Plastic		
<b>Connection</b>	Wire Leads, 22 AWG, or Terminals		
<b>Motor</b>	EC Motor, Auto Cutoff, Auto Restart, Electronically Protected		
<b>Bearing System</b>	Ball Bearings		
<b>Dielectric Strength</b>	1500VAC/min, <1mA		
<b>Insulation Resistance</b>	≥10MΩ @500VAC		

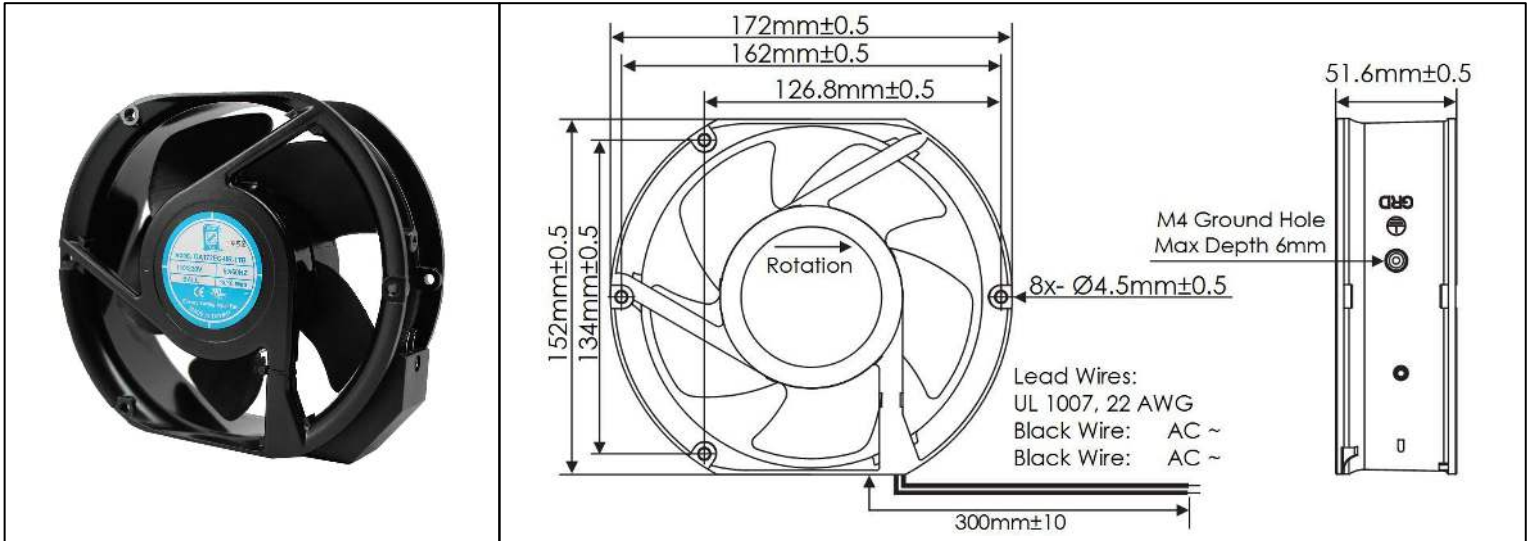
Part Number	Rated Voltage (Volts AC)	Voltage Range (Volts AC)	Rated Power (Watts)	Rated Current (Amps)	Rated Speed (RPM)	Max Airflow (CFM)	Noise Level (dBA)	Max Static Pressure ("H <sub>2</sub> O)
OA172EC-11-1*B	115	103 ~ 127	15	0.23	3000	220	57.3	0.62
OA172EC-22-1*B	230	207 ~ 253	15	0.13	3000	220	57.3	0.62

\* Insert "T" for Terminal type power connection, or "W" for Wire Lead type power connection.

# OA172EC Series



EC Fans - Universal Voltage Range  
172mm x 150mm x 51.6mm  
(6.8" x 5.9" x 2.0")



<b>Frame</b>	Die Cast Aluminum, Black Finish	<b>Operating Temperature</b> -20°C ~ +65°C  <b>Storage Temperature</b> -20°C ~ +75°C  <b>Life Expectancy</b> 50,000 Hours (L10 at 40°C)  <b>Available Options</b> PWM Speed Control Input Tachometer Output Alarm Output IP Ratings  Weight: 1.47 lbs.	
<b>Impeller</b>	PBT, UL94 V-0 Plastic		
<b>Connection</b>	Wire Leads, 22 AWG, or Terminals		
<b>Motor</b>	EC Motor, Auto Cutoff, Auto Restart, Electronically Protected		
<b>Bearing System</b>	Ball Bearings		
<b>Dielectric Strength</b>	1500VAC/min, <1mA		
<b>Insulation Resistance</b>	≥10MΩ @500VAC		

Part Number	Rated Voltage (Volts AC)	Voltage Range (Volts AC)	Rated Power (Watts)	Rated Speed (RPM)	Max Airflow (CFM)	Noise Level (dBA)	Max Static Pressure ("H <sub>2</sub> O)
OA172EC-UR-1*B	115 / 230	90 ~ 265	18 ~ 16 Max, 12.5 Typical	3000	220	55.2	0.80

\* Indicates "T" (Terminals) or "W" (Wire Leads)