

# INA225EVM User's Guide

---



---



---

This user's guide describes the characteristics, operation, and use of the [INA225](#) evaluation module (EVM). This document discusses how to set up the hardware and reviews various aspects of the EVM operation. Throughout this document, the terms *evaluation board*, *evaluation module*, and *EVM* are synonymous with the INA225EVM. This user's guide also includes information regarding operating procedures, input and output connections, an electrical schematic, a printed circuit board (PCB) layout drawing, and a parts list for the EVM.

## Contents

1	Overview .....	2
2	INA225EVM External Connections .....	4
3	INA225EVM Basic Setup .....	5
4	INA225EVM Documentation .....	9

## List of Figures

1	Hardware Included with the INA225EVM Kit .....	3
2	Connecting a Reference Voltage .....	4
3	Jumper Configuration.....	6
4	Basic Hardware Setup for the INA225EVM .....	7
5	Basic Setup of the INA225EVM.....	8
6	INA225EVM Board Schematic .....	9
7	INA225EVM PCB Components Layout.....	10
8	Top Layer.....	11
9	Bottom Layer.....	12

## List of Tables

1	INA225EVM Kit Contents .....	3
2	INA225 Gain Settings .....	5
3	INA225 Test Board Bill of Materials.....	13

## 1 Overview

The INA225 is a voltage-output, current-shunt monitor that senses drops across shunts at common-mode voltages from 0 V to 36 V, independent of the supply voltage. The four gain versions are selectable using the two external gain select pins, GS0 and GS1. These pins allow gains of 25, 50, 100, and 200 V/V to be selected. The low-offset, zero-drift architecture enables current sensing with voltage drops across the shunt as low as 10 mV of full-scale while maintaining high accuracy measurements. The INA225EVM is a platform for evaluating the performance of the INA225 under various signal, shunt, and supply conditions. This document gives a general overview of the INA225EVM, and provides a general description of the features and functions to be considered while using this evaluation module.

For a more detailed description of the INA225 product line, refer to the product data sheet ([SBOS612](#)) available from the Texas Instruments web site at [www.ti.com](http://www.ti.com). Support documents are listed in the [Related Documentation from Texas Instruments](#) section.

### 1.1 Related Documentation from Texas Instruments

The following documents provide information regarding Texas Instruments integrated circuits used in the assembly of the INA225EVM. This document is available from the TI web site under literature number [SBOS612](#). Any letter appended to the literature number corresponds to the document revision that is current at the time of the writing of this document. Newer revisions may be available from the TI web site at [www.ti.com](http://www.ti.com), or call the Texas Instruments Literature Response Center at (800) 477-8924 or the Product Information Center at (972) 644-5580. When ordering, identify the document by both title and literature number.

Document	Literature Number
INA225 product data sheet	<a href="#">SBOS612</a>
USB DIG platform user's guide	<a href="#">SBOU058</a>

### 1.2 If You Need Assistance

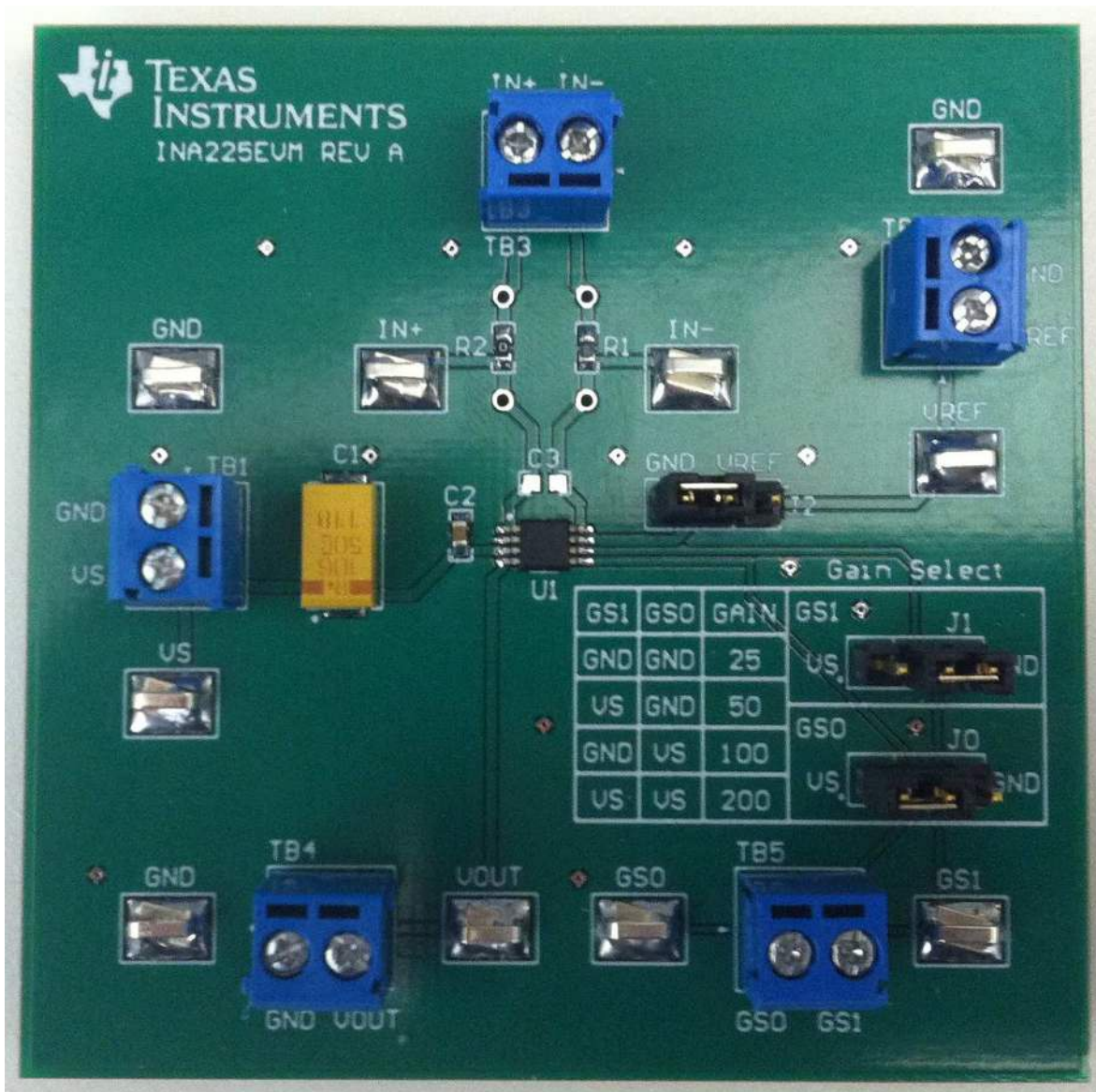
If you have questions about the INA225 evaluation module, post a question in the amplifiers forum at [e2e.ti.com](http://e2e.ti.com). Include *INA225EVM* in the subject heading.

### 1.3 INA225EVM Kit Contents

Table 1 lists the contents of the INA225EVM kit, and Figure 1 shows the included hardware. Contact the Texas Instruments Product Information Center nearest you if any component is missing.

**Table 1. INA225EVM Kit Contents**

Item	Quantity
INA225 PCB evaluation board	1



**Figure 1. Hardware Included with the INA225EVM Kit**

## 2 INA225EVM External Connections

### 2.1 Powering the INA225EVM

Terminal block TB1 contains the power-supply pin (VS) as well as a ground pin. The valid range for TB1 is +2.7 V to +36 V. The supply is decoupled with a 10- $\mu$ F tantalum capacitor and a 0.1- $\mu$ F ceramic capacitor near the device. The INA225EVM also contains test points for the supply voltage and ground located next to TB1.

The INA225 can accurately measure beyond the device power-supply voltage, VS. For example, the power supply can be at +5 V, whereas the load supply voltage can be as high as +36 V. However, the voltage output (VOUT) is limited by the voltage on the power-supply pin (VS).

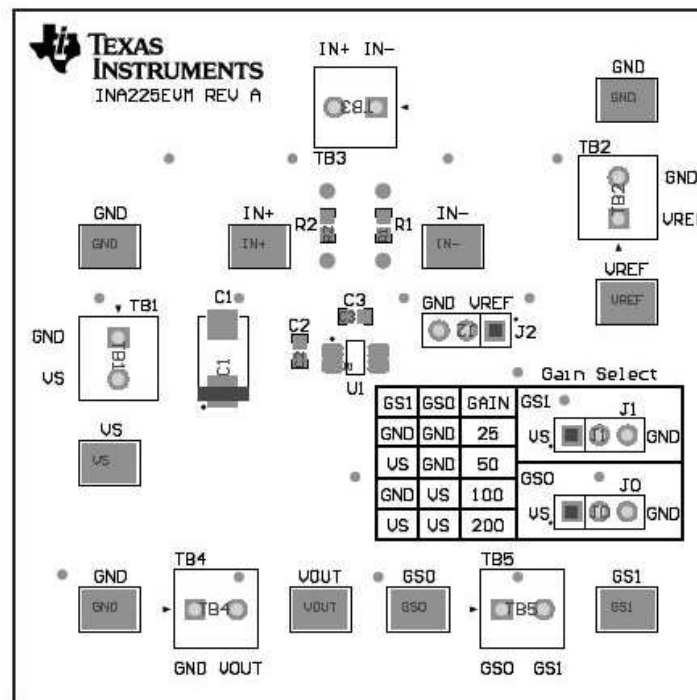
### 2.2 INA225EVM Inputs

Terminal block TB3 contains the input pins (IN+ and IN-) for the INA225. These pins should be connected as closely as possible to the shunt resistor to minimize any resistance in series with the shunt resistance. Test points are provided for these inputs.

The INA225EVM has an optional input filter. R1 and R2 (which are factory-installed, 0- $\Omega$  resistors), in combination with the unpopulated capacitor C3, can be used to form an input filter. R1, R2, and C3 use a standard 0603 footprint.

### 2.3 INA225 Reference Voltage

Terminal block TB2 contains the reference voltage pin (REF) and a ground connection. The reference allows for the device to be used in both unidirectional and bidirectional applications. Connect J2 to VREF when using an external reference voltage source connected at terminal block TB2, as shown in [Figure 2](#). Otherwise, connect J2 to ground (GND).



**Figure 2. Connecting a Reference Voltage**

## 2.4 Gain Select Pins

The device has two gain select pins, GS0 and GS1, which are located at J0, J1, and terminal block TB5. The device has selectable gain settings of 25, 50, 100, and 200, as shown in [Table 2](#). [Table 2](#) is also printed on the board; see [Figure 1](#).

**Table 2. INA225 Gain Settings**

GS0	GS1	Gain
GND	GND	25
GND	VS	50
VS	GND	100
VS	VS	200

## 2.5 Voltage Output

Terminal block TB4 contains the voltage output (OUT) of the device and a ground connection. The output of the device is the voltage drop across the shunt resistor multiplied by the gain setting. The output is limited by the supply voltage (VS). Test points are provided for VOUT.

## 3 INA225EVM Basic Setup

The INA225EVM basic setup overview involves connecting the shunt and load resistor to the EVM, applying power, setting the jumpers, and measuring the output. This section presents the details of this procedure. More information can be found in the [INA225 data sheet](#).

### 3.1 Electrostatic Discharge Warning

Many components on the INA225EVM are susceptible to damage by electrostatic discharge (ESD). Customers are advised to observe proper ESD handling precautions when unpacking and handling the EVM, including the use of a grounded wrist strap at an approved ESD workstation.

### 3.2 Jumper Configuration

In this example, an outside voltage reference is not used, so connect J2 to GND. Set the device gain to 100 by connecting J0 (GS0) to VS and J1 (GS1) to GND. These jumper settings are shown in [Figure 3](#).

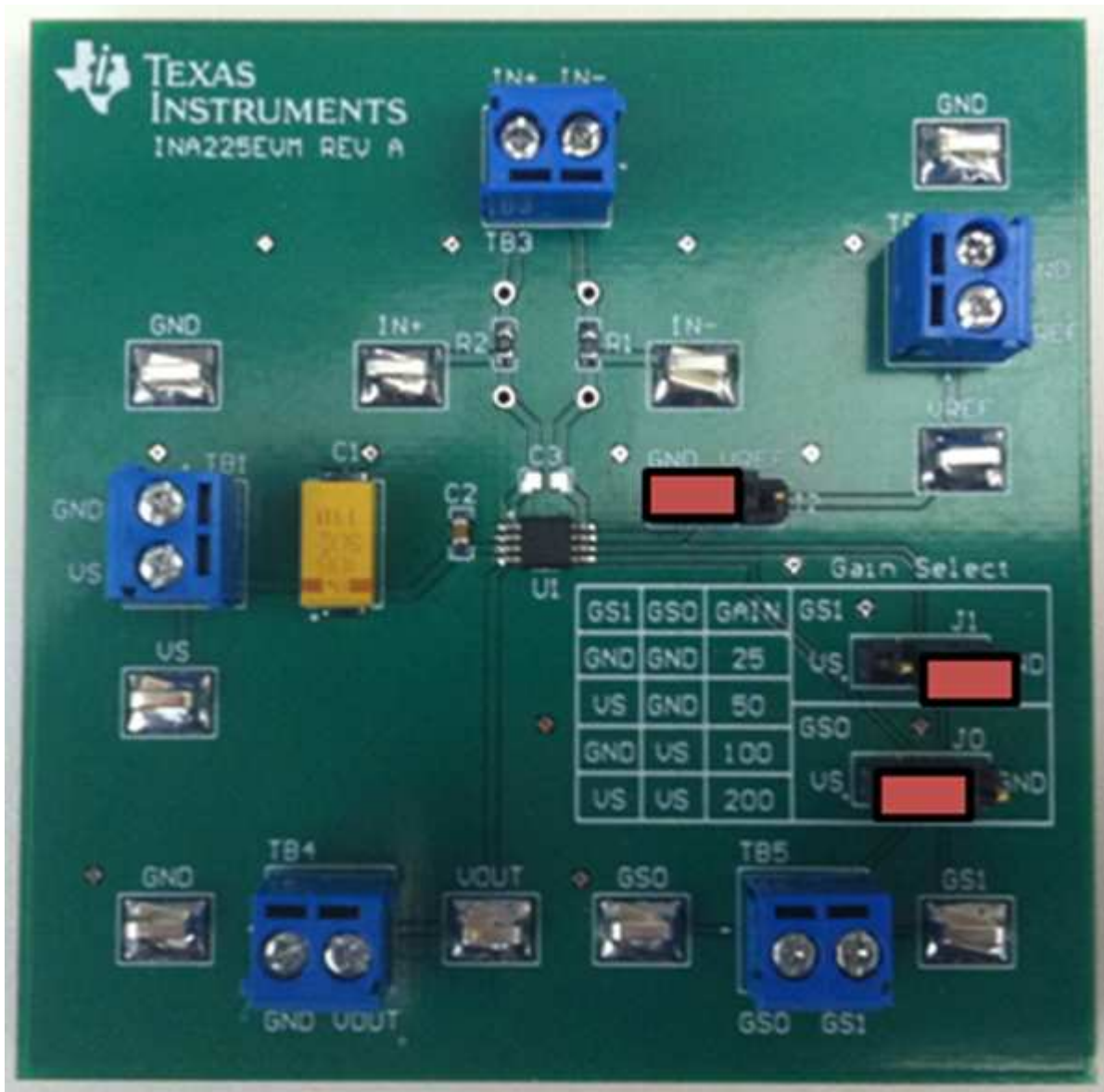


Figure 3. Jumper Configuration

### 3.3 Connecting the Shunt and Load Resistors

In this example, a 50-Ω shunt resistor is used along with a 10-kΩ load resistor. Attach the shunt resistor from IN+ to IN- on terminal block TB3. Next, attach the load resistor from IN- to GND. The 10-kΩ load resistor can be grounded at terminal block TB2 because this setup does not use VREF, as shown in Figure 4.

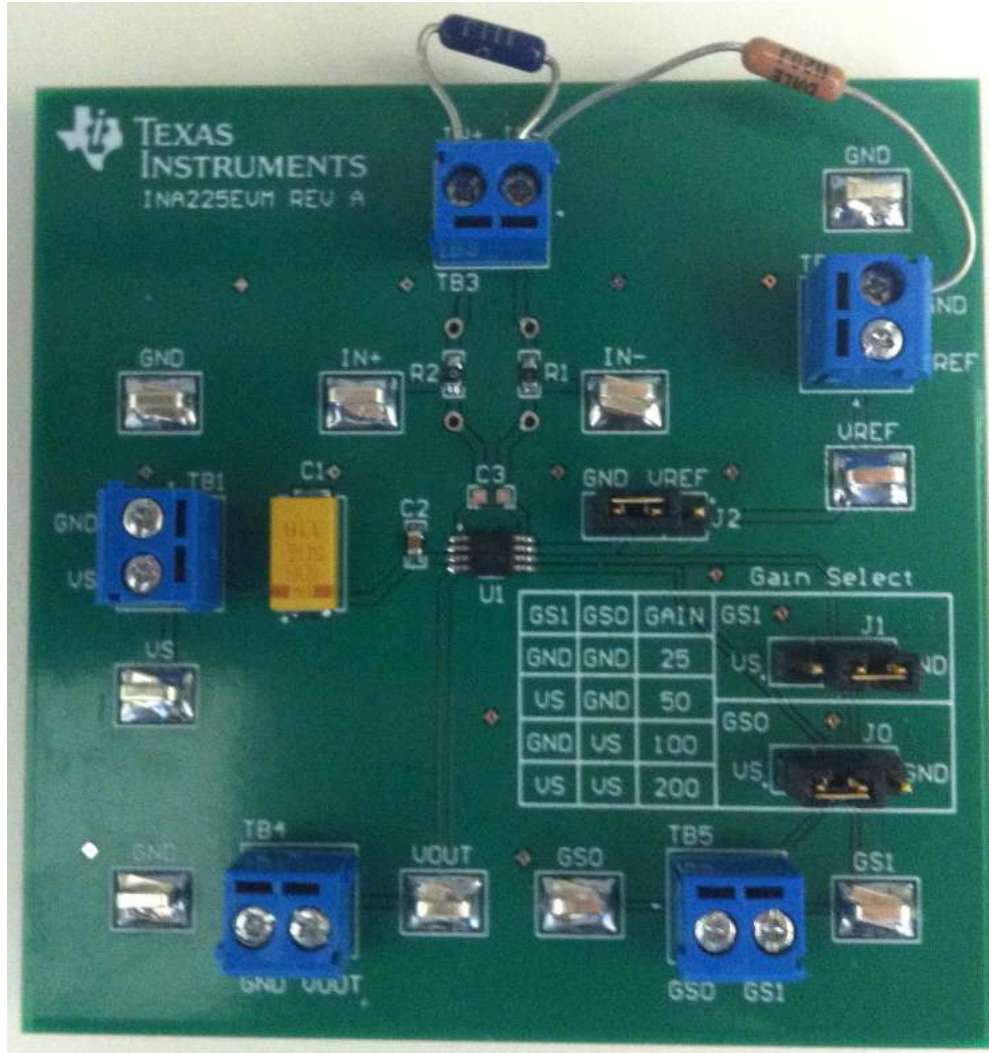
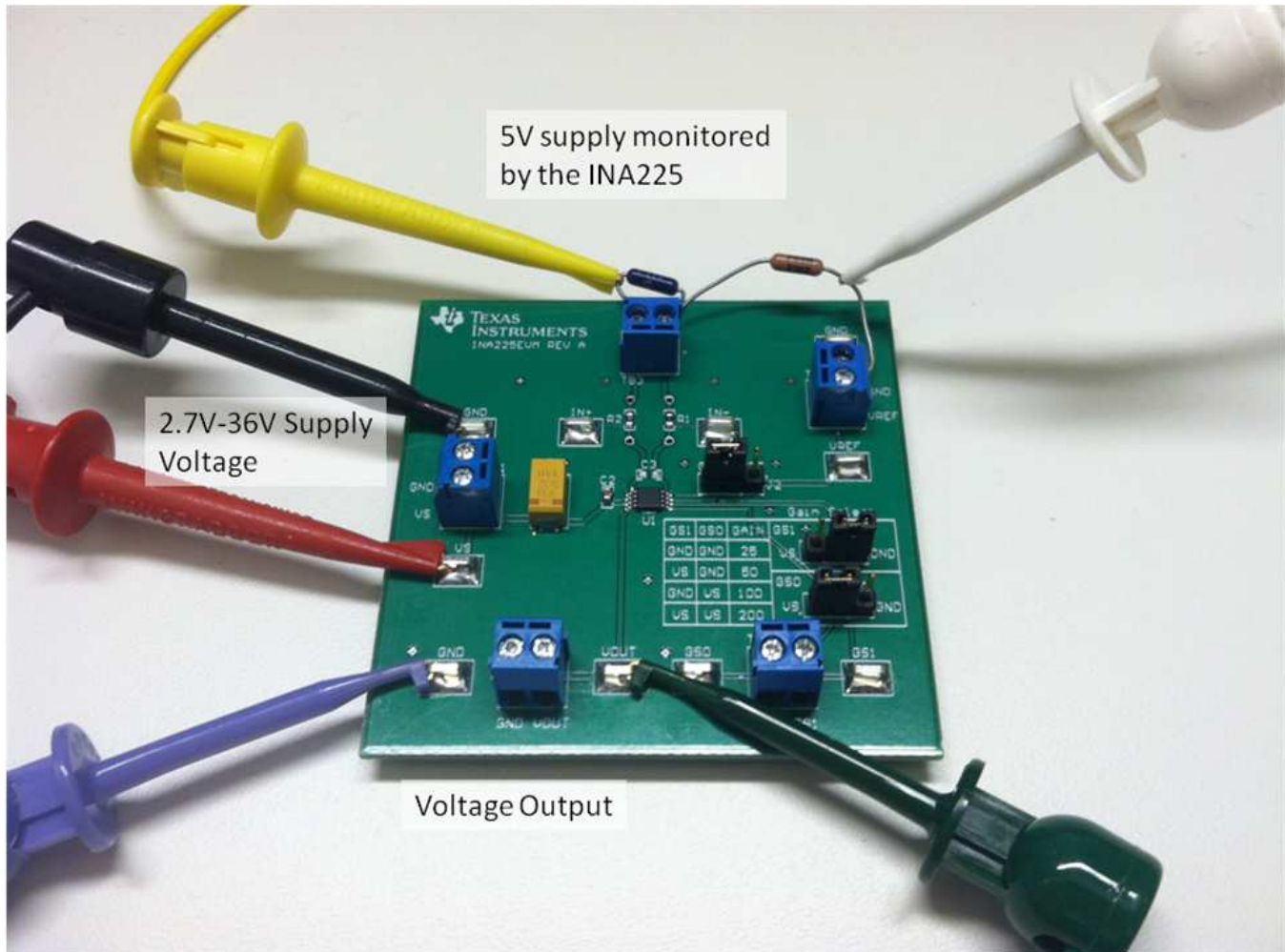


Figure 4. Basic Hardware Setup for the INA225EVM

### 3.4 Applying Power

First, connect a +2.7-V to +36-V supply voltage to the VS terminal on the INA225EVM and ground the board. Next, attach a supply to IN+ and ground it. In this case, a 5-V supply is used. Finally, measure VOUT at terminal block TB4. Note that VOUT is limited by the supply voltage VS. [Figure 5](#) shows the basic setup of the process described in this section.



**Figure 5. Basic Setup of the INA225EVM**



## 4 INA225EVM Documentation

This section contains the complete bill of materials and schematic diagram for the INA225EVM. Documentation information for the USB DIG platform can be found in the [USB DIG Platform User's Guide \(SBOU058\)](#), available at the TI web site at [www.ti.com](http://www.ti.com).

### 4.1 INA225EVM Board Schematic

Figure 6 shows the schematic for the INA225EVM board.

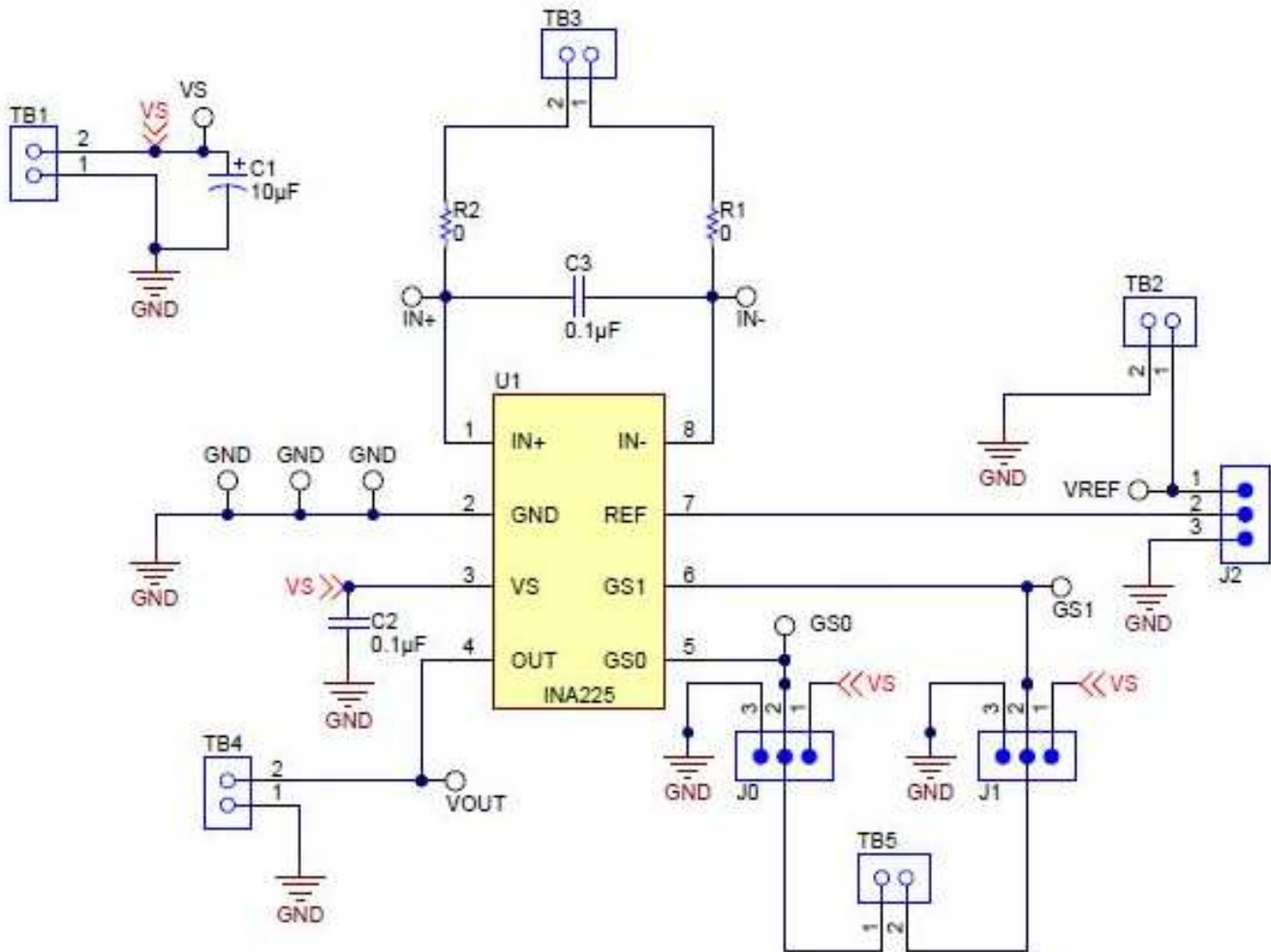


Figure 6. INA225EVM Board Schematic

## 4.2 INA225EVM PCB Components Layout

Figure 7 shows the component layout for the INA225EVM board.

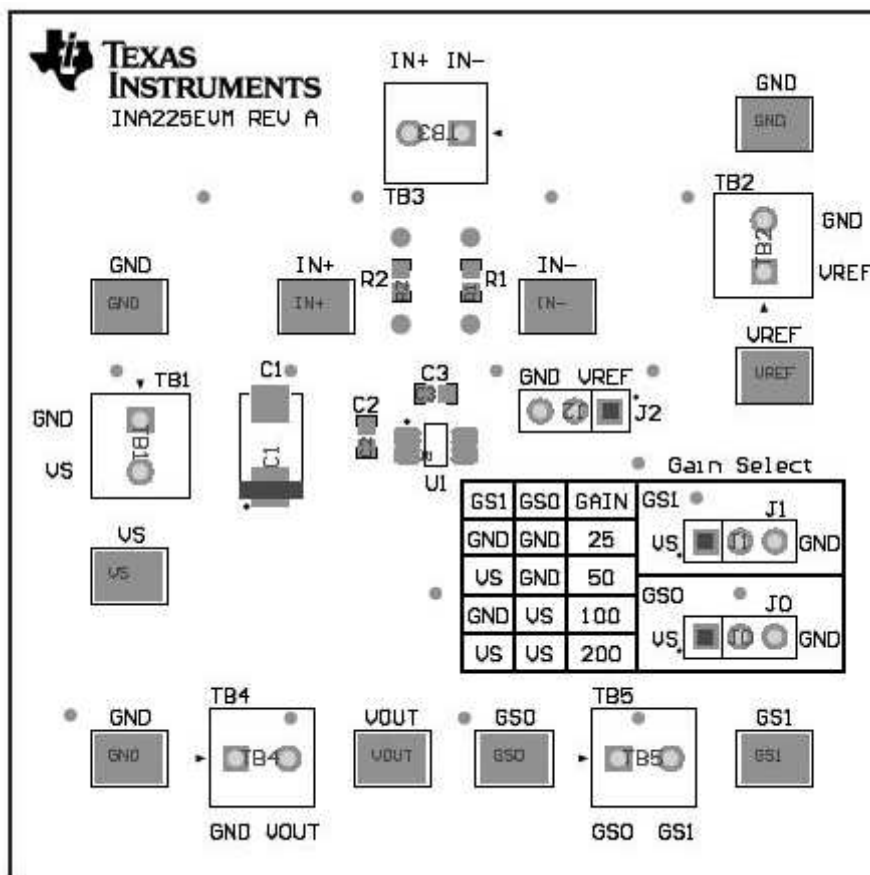


Figure 7. INA225EVM PCB Components Layout

Figure 8 and Figure 9 show the top and bottom layer, respectively, of the EVM.

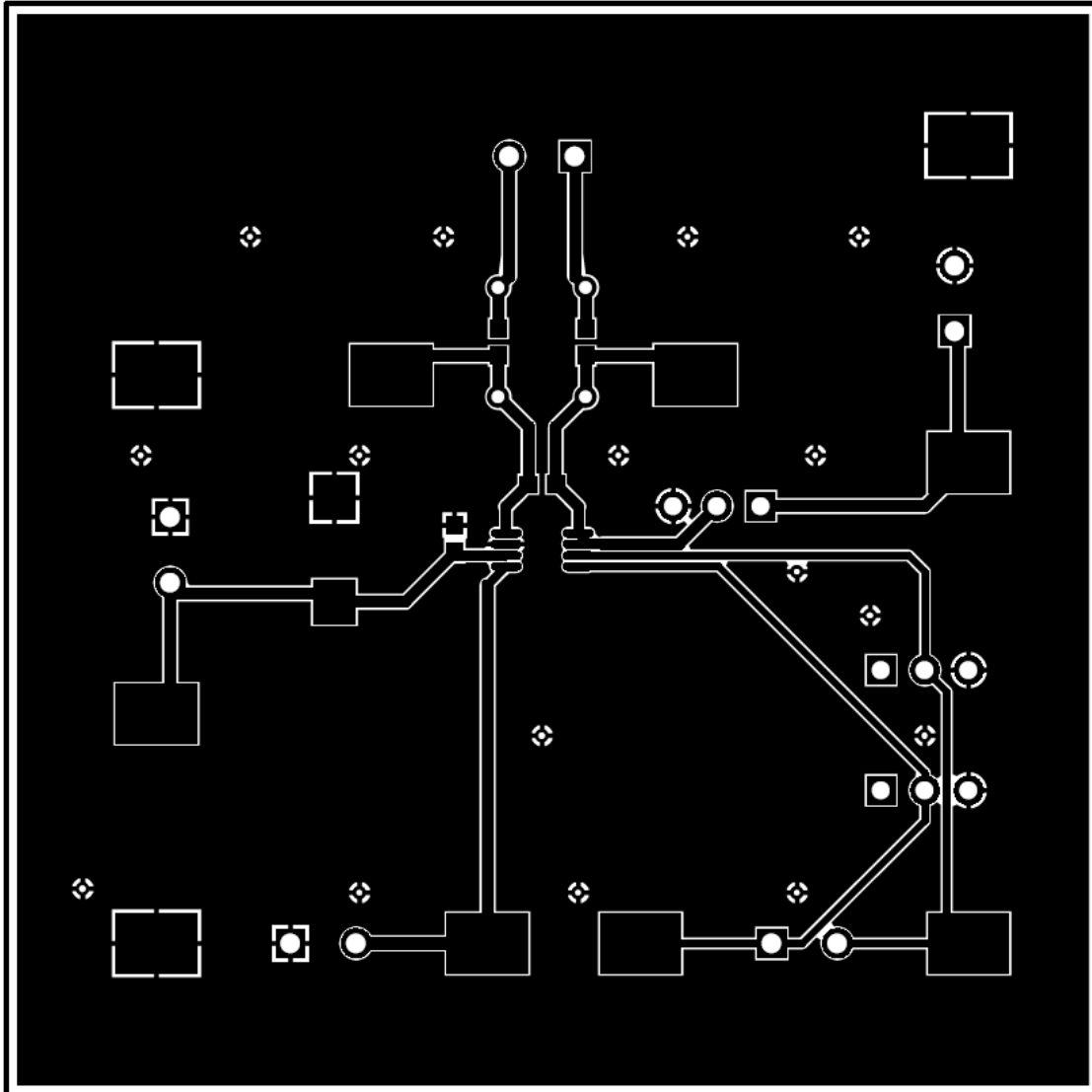


Figure 8. Top Layer

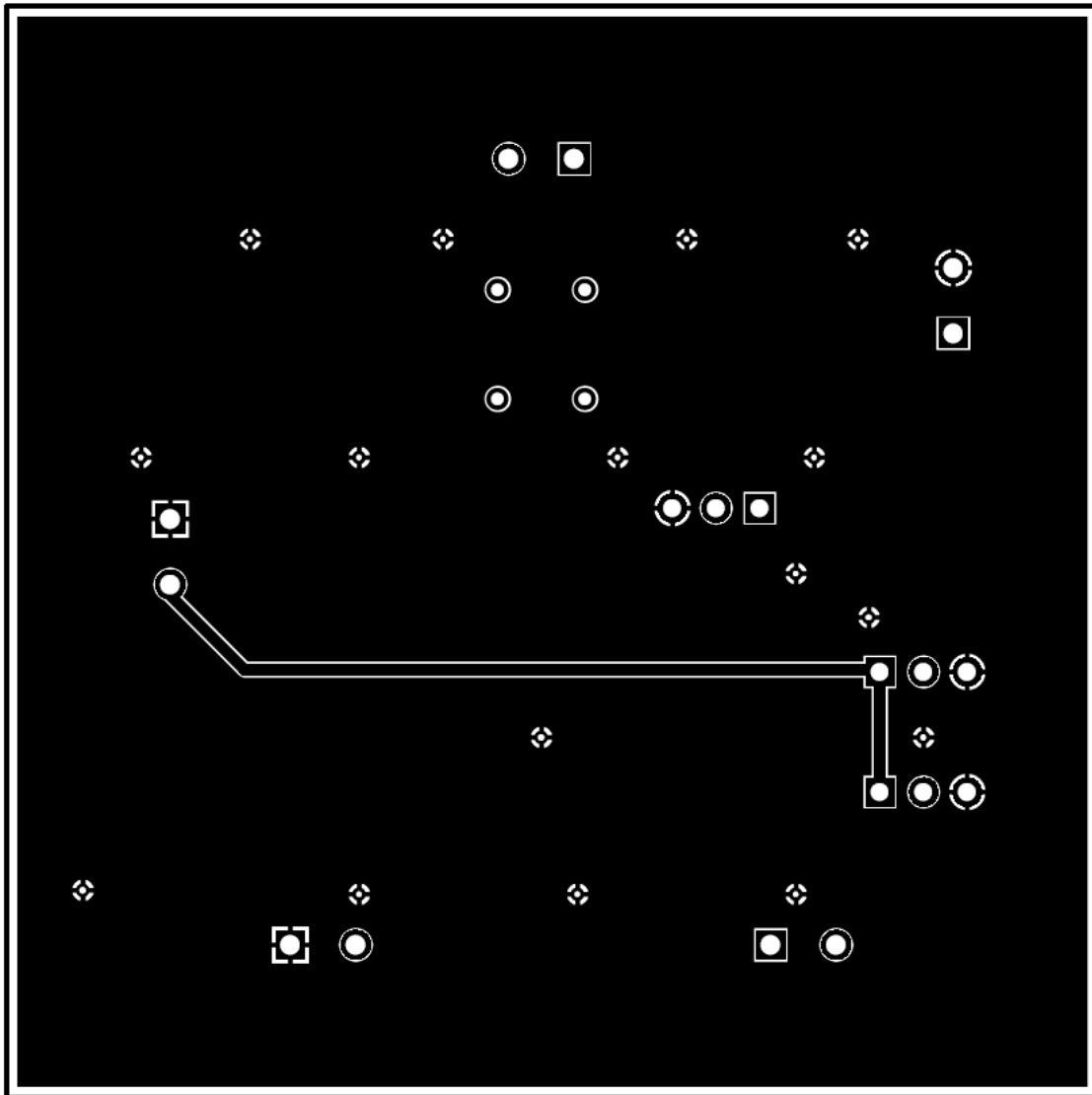


Figure 9. Bottom Layer

### 4.3 INA225 Test Board Bill of Materials

Table 3 lists the bill of materials for the INA225 test board.

**Table 3. INA225 Test Board Bill of Materials**

Ref Des	Description	Vendor	Digi-Key Part Number	Manufacturer Part Number
R1, R2	RES 0.0 OHM 1/10W 0603 SMD	Stackpole Electronics	RMCF0603ZT0R00CT-ND	RMCF0603ZT0R00
C1	CAP TANTALUM 10UF 50V 10% SM 2917	Kermit	399-3893-1-ND	T495X106K050ATE300
C2	CAP CER .10UF 25V X7R 10% 0603	TDK Corp.	445-1316-1-ND	C1608X7R1E104K
C3	DNP	—	—	—
U1	INA225	Texas Instruments	—	—
Jumpers, all	CONN HEADER 50POS .100" SGL GOLD	Samtec	SAM1029-50-ND	TSW-150-07-G-S
Jumpers, all	SHUNT LP W/HANDLE 2 POS 30AU	Tyco Electronics	A26242-ND	881545-2
Test points, all	PC TEST POINT COMPACT SMT	Keystone Electronics	5016KCT-ND	5016
T1, T2, T3, T4	2-Block Terminal 3,5 mm	On Shore Technology Inc	ED1514-ND	ED555/2DS
Bumpsons	BUMPON HEMISPHERE .50X.14 CLEAR	3M	SJ5312-7-ND	SJ-5312 (CLEAR)

## ADDITIONAL TERMS AND CONDITIONS, WARNINGS, RESTRICTIONS, AND DISCLAIMERS FOR EVALUATION MODULES

Texas Instruments Incorporated (TI) markets, sells, and loans all evaluation boards, kits, and/or modules (EVMs) pursuant to, and user expressly acknowledges, represents, and agrees, and takes sole responsibility and risk with respect to, the following:

1. User agrees and acknowledges that EVMs are intended to be handled and used for feasibility evaluation only in laboratory and/or development environments. Notwithstanding the foregoing, in certain instances, TI makes certain EVMs available to users that do not handle and use EVMs solely for feasibility evaluation only in laboratory and/or development environments, but may use EVMs in a hobbyist environment. All EVMs made available to hobbyist users are FCC certified, as applicable. Hobbyist users acknowledge, agree, and shall comply with all applicable terms, conditions, warnings, and restrictions in this document and are subject to the disclaimer and indemnity provisions included in this document.
2. Unless otherwise indicated, EVMs are not finished products and not intended for consumer use. EVMs are intended solely for use by technically qualified electronics experts who are familiar with the dangers and application risks associated with handling electrical mechanical components, systems, and subsystems.
3. User agrees that EVMs shall not be used as, or incorporated into, all or any part of a finished product.
4. User agrees and acknowledges that certain EVMs may not be designed or manufactured by TI.
5. User must read the user's guide and all other documentation accompanying EVMs, including without limitation any warning or restriction notices, prior to handling and/or using EVMs. Such notices contain important safety information related to, for example, temperatures and voltages. For additional information on TI's environmental and/or safety programs, please visit [www.ti.com/esh](http://www.ti.com/esh) or contact TI.
6. User assumes all responsibility, obligation, and any corresponding liability for proper and safe handling and use of EVMs.
7. Should any EVM not meet the specifications indicated in the user's guide or other documentation accompanying such EVM, the EVM may be returned to TI within 30 days from the date of delivery for a full refund. THE FOREGOING LIMITED WARRANTY IS THE EXCLUSIVE WARRANTY MADE BY TI TO USER AND IS IN LIEU OF ALL OTHER WARRANTIES, EXPRESSED, IMPLIED, OR STATUTORY, INCLUDING ANY WARRANTY OF MERCHANTABILITY OR FITNESS FOR ANY PARTICULAR PURPOSE. TI SHALL NOT BE LIABLE TO USER FOR ANY INDIRECT, SPECIAL, INCIDENTAL, OR CONSEQUENTIAL DAMAGES RELATED TO THE HANDLING OR USE OF ANY EVM.
8. No license is granted under any patent right or other intellectual property right of TI covering or relating to any machine, process, or combination in which EVMs might be or are used. TI currently deals with a variety of customers, and therefore TI's arrangement with the user is not exclusive. TI assumes no liability for applications assistance, customer product design, software performance, or infringement of patents or services with respect to the handling or use of EVMs.
9. User assumes sole responsibility to determine whether EVMs may be subject to any applicable federal, state, or local laws and regulatory requirements (including but not limited to U.S. Food and Drug Administration regulations, if applicable) related to its handling and use of EVMs and, if applicable, compliance in all respects with such laws and regulations.
10. User has sole responsibility to ensure the safety of any activities to be conducted by it and its employees, affiliates, contractors or designees, with respect to handling and using EVMs. Further, user is responsible to ensure that any interfaces (electronic and/or mechanical) between EVMs and any human body are designed with suitable isolation and means to safely limit accessible leakage currents to minimize the risk of electrical shock hazard.
11. User shall employ reasonable safeguards to ensure that user's use of EVMs will not result in any property damage, injury or death, even if EVMs should fail to perform as described or expected.
12. User shall be solely responsible for proper disposal and recycling of EVMs consistent with all applicable federal, state, and local requirements.

**Certain Instructions.** User shall operate EVMs within TI's recommended specifications and environmental considerations per the user's guide, accompanying documentation, and any other applicable requirements. Exceeding the specified ratings (including but not limited to input and output voltage, current, power, and environmental ranges) for EVMs may cause property damage, personal injury or death. If there are questions concerning these ratings, user should contact a TI field representative prior to connecting interface electronics including input power and intended loads. Any loads applied outside of the specified output range may result in unintended and/or inaccurate operation and/or possible permanent damage to the EVM and/or interface electronics. Please consult the applicable EVM user's guide prior to connecting any load to the EVM output. If there is uncertainty as to the load specification, please contact a TI field representative. During normal operation, some circuit components may have case temperatures greater than 60°C as long as the input and output are maintained at a normal ambient operating temperature. These components include but are not limited to linear regulators, switching transistors, pass transistors, and current sense resistors which can be identified using EVMs' schematics located in the applicable EVM user's guide. When placing measurement probes near EVMs during normal operation, please be aware that EVMs may become very warm. As with all electronic evaluation tools, only qualified personnel knowledgeable in electronic measurement and diagnostics normally found in development environments should use EVMs.

**Agreement to Defend, Indemnify and Hold Harmless.** User agrees to defend, indemnify, and hold TI, its directors, officers, employees, agents, representatives, affiliates, licensors and their representatives harmless from and against any and all claims, damages, losses, expenses, costs and liabilities (collectively, "Claims") arising out of, or in connection with, any handling and/or use of EVMs. User's indemnity shall apply whether Claims arise under law of tort or contract or any other legal theory, and even if EVMs fail to perform as described or expected.

**Safety-Critical or Life-Critical Applications.** If user intends to use EVMs in evaluations of safety critical applications (such as life support), and a failure of a TI product considered for purchase by user for use in user's product would reasonably be expected to cause severe personal injury or death such as devices which are classified as FDA Class III or similar classification, then user must specifically notify TI of such intent and enter into a separate Assurance and Indemnity Agreement.

## **RADIO FREQUENCY REGULATORY COMPLIANCE INFORMATION FOR EVALUATION MODULES**

Texas Instruments Incorporated (TI) evaluation boards, kits, and/or modules (EVMs) and/or accompanying hardware that is marketed, sold, or loaned to users may or may not be subject to radio frequency regulations in specific countries.

### **General Statement for EVMs Not Including a Radio**

For EVMs not including a radio and not subject to the U.S. Federal Communications Commission (FCC) or Industry Canada (IC) regulations, TI intends EVMs to be used only for engineering development, demonstration, or evaluation purposes. EVMs are not finished products typically fit for general consumer use. EVMs may nonetheless generate, use, or radiate radio frequency energy, but have not been tested for compliance with the limits of computing devices pursuant to part 15 of FCC or the ICES-003 rules. Operation of such EVMs may cause interference with radio communications, in which case the user at his own expense will be required to take whatever measures may be required to correct this interference.

### **General Statement for EVMs including a radio**

*User Power/Frequency Use Obligations:* For EVMs including a radio, the radio included in such EVMs is intended for development and/or professional use only in legally allocated frequency and power limits. Any use of radio frequencies and/or power availability in such EVMs and their development application(s) must comply with local laws governing radio spectrum allocation and power limits for such EVMs. It is the user's sole responsibility to only operate this radio in legally acceptable frequency space and within legally mandated power limitations. Any exceptions to this are strictly prohibited and unauthorized by TI unless user has obtained appropriate experimental and/or development licenses from local regulatory authorities, which is the sole responsibility of the user, including its acceptable authorization.

### **U.S. Federal Communications Commission Compliance**

#### **For EVMs Annotated as FCC – FEDERAL COMMUNICATIONS COMMISSION Part 15 Compliant**

##### **Caution**

This device complies with part 15 of the FCC Rules. Operation is subject to the following two conditions: (1) This device may not cause harmful interference, and (2) this device must accept any interference received, including interference that may cause undesired operation. Changes or modifications could void the user's authority to operate the equipment.

##### **FCC Interference Statement for Class A EVM devices**

This equipment has been tested and found to comply with the limits for a Class A digital device, pursuant to part 15 of the FCC Rules. These limits are designed to provide reasonable protection against harmful interference when the equipment is operated in a commercial environment. This equipment generates, uses, and can radiate radio frequency energy and, if not installed and used in accordance with the instruction manual, may cause harmful interference to radio communications. Operation of this equipment in a residential area is likely to cause harmful interference in which case the user will be required to correct the interference at its own expense.

##### **FCC Interference Statement for Class B EVM devices**

This equipment has been tested and found to comply with the limits for a Class B digital device, pursuant to part 15 of the FCC Rules. These limits are designed to provide reasonable protection against harmful interference in a residential installation. This equipment generates, uses and can radiate radio frequency energy and, if not installed and used in accordance with the instructions, may cause harmful interference to radio communications. However, there is no guarantee that interference will not occur in a particular installation. If this equipment does cause harmful interference to radio or television reception, which can be determined by turning the equipment off and on, the user is encouraged to try to correct the interference by one or more of the following measures:

- Reorient or relocate the receiving antenna.
- Increase the separation between the equipment and receiver.
- Connect the equipment into an outlet on a circuit different from that to which the receiver is connected.
- Consult the dealer or an experienced radio/TV technician for help.

##### **Industry Canada Compliance (English)**

#### **For EVMs Annotated as IC – INDUSTRY CANADA Compliant:**

This Class A or B digital apparatus complies with Canadian ICES-003.

Changes or modifications not expressly approved by the party responsible for compliance could void the user's authority to operate the equipment.

##### **Concerning EVMs Including Radio Transmitters**

This device complies with Industry Canada licence-exempt RSS standard(s). Operation is subject to the following two conditions: (1) this device may not cause interference, and (2) this device must accept any interference, including interference that may cause undesired operation of the device.

##### **Concerning EVMs Including Detachable Antennas**

Under Industry Canada regulations, this radio transmitter may only operate using an antenna of a type and maximum (or lesser) gain approved for the transmitter by Industry Canada. To reduce potential radio interference to other users, the antenna type and its gain should be so chosen that the equivalent isotropically radiated power (e.i.r.p.) is not more than that necessary for successful communication.

This radio transmitter has been approved by Industry Canada to operate with the antenna types listed in the user guide with the maximum permissible gain and required antenna impedance for each antenna type indicated. Antenna types not included in this list, having a gain greater than the maximum gain indicated for that type, are strictly prohibited for use with this device.

## Canada Industry Canada Compliance (French)

Cet appareil numérique de la classe A ou B est conforme à la norme NMB-003 du Canada

Les changements ou les modifications pas expressément approuvés par la partie responsable de la conformité ont pu vider l'autorité de l'utilisateur pour actionner l'équipement.

### Concernant les EVMs avec appareils radio

Le présent appareil est conforme aux CNR d'Industrie Canada applicables aux appareils radio exempts de licence. L'exploitation est autorisée aux deux conditions suivantes : (1) l'appareil ne doit pas produire de brouillage, et (2) l'utilisateur de l'appareil doit accepter tout brouillage radioélectrique subi, même si le brouillage est susceptible d'en compromettre le fonctionnement.

### Concernant les EVMs avec antennes détachables

Conformément à la réglementation d'Industrie Canada, le présent émetteur radio peut fonctionner avec une antenne d'un type et d'un gain maximal (ou inférieur) approuvé pour l'émetteur par Industrie Canada. Dans le but de réduire les risques de brouillage radioélectrique à l'intention des autres utilisateurs, il faut choisir le type d'antenne et son gain de sorte que la puissance isotrope rayonnée équivalente (p.i.r.e.) ne dépasse pas l'intensité nécessaire à l'établissement d'une communication satisfaisante.

Le présent émetteur radio a été approuvé par Industrie Canada pour fonctionner avec les types d'antenne énumérés dans le manuel d'usage et ayant un gain admissible maximal et l'impédance requise pour chaque type d'antenne. Les types d'antenne non inclus dans cette liste, ou dont le gain est supérieur au gain maximal indiqué, sont strictement interdits pour l'exploitation de l'émetteur.

Mailing Address: Texas Instruments, Post Office Box 655303, Dallas, Texas 75265  
Copyright © 2014, Texas Instruments Incorporated

## Important Notice for Users of EVMs Considered “Radio Frequency Products” in Japan

### EVMs entering Japan are NOT certified by TI as conforming to Technical Regulations of Radio Law of Japan.

If user uses EVMs in Japan, user is required by Radio Law of Japan to follow the instructions below with respect to EVMs:

1. Use EVMs in a shielded room or any other test facility as defined in the notification #173 issued by Ministry of Internal Affairs and Communications on March 28, 2006, based on Sub-section 1.1 of Article 6 of the Ministry's Rule for Enforcement of Radio Law of Japan,
2. Use EVMs only after user obtains the license of Test Radio Station as provided in Radio Law of Japan with respect to EVMs, or
3. Use of EVMs only after user obtains the Technical Regulations Conformity Certification as provided in Radio Law of Japan with respect to EVMs. Also, do not transfer EVMs, unless user gives the same notice above to the transferee. Please note that if user does not follow the instructions above, user will be subject to penalties of Radio Law of Japan.

<http://www.tij.co.jp>

【無線電波を送信する製品の開発キットをお使いになる際の注意事項】本開発キットは技術基準適合証明を受けておりません。本製品のご使用に際しては、電波法遵守のため、以下のいずれかの措置を取っていただく必要がありますのでご注意ください。

1. 電波法施行規則第6条第1項第1号に基づく平成18年3月28日総務省告示第173号で定められた電波暗室等の試験設備でご使用いただく。
2. 実験局の免許を取得後ご使用いただく。
3. 技術基準適合証明を取得後ご使用いただく。。

なお、本製品は、上記の「ご使用にあたっての注意」を譲渡先、移転先に通知しない限り、譲渡、移転できないものとします

上記を遵守頂けない場合は、電波法の罰則が適用される可能性があることをご留意ください。

日本テキサス・インスツルメンツ株式会社

東京都新宿区西新宿 6 丁目 2 4 番 1 号

西新宿三井ビル

<http://www.tij.co.jp>

Texas Instruments Japan Limited  
(address) 24-1, Nishi-Shinjuku 6 chome, Shinjuku-ku, Tokyo, Japan



## IMPORTANT NOTICE

Texas Instruments Incorporated and its subsidiaries (TI) reserve the right to make corrections, enhancements, improvements and other changes to its semiconductor products and services per JESD46, latest issue, and to discontinue any product or service per JESD48, latest issue. Buyers should obtain the latest relevant information before placing orders and should verify that such information is current and complete. All semiconductor products (also referred to herein as "components") are sold subject to TI's terms and conditions of sale supplied at the time of order acknowledgment.

TI warrants performance of its components to the specifications applicable at the time of sale, in accordance with the warranty in TI's terms and conditions of sale of semiconductor products. Testing and other quality control techniques are used to the extent TI deems necessary to support this warranty. Except where mandated by applicable law, testing of all parameters of each component is not necessarily performed.

TI assumes no liability for applications assistance or the design of Buyers' products. Buyers are responsible for their products and applications using TI components. To minimize the risks associated with Buyers' products and applications, Buyers should provide adequate design and operating safeguards.

TI does not warrant or represent that any license, either express or implied, is granted under any patent right, copyright, mask work right, or other intellectual property right relating to any combination, machine, or process in which TI components or services are used. Information published by TI regarding third-party products or services does not constitute a license to use such products or services or a warranty or endorsement thereof. Use of such information may require a license from a third party under the patents or other intellectual property of the third party, or a license from TI under the patents or other intellectual property of TI.

Reproduction of significant portions of TI information in TI data books or data sheets is permissible only if reproduction is without alteration and is accompanied by all associated warranties, conditions, limitations, and notices. TI is not responsible or liable for such altered documentation. Information of third parties may be subject to additional restrictions.

Resale of TI components or services with statements different from or beyond the parameters stated by TI for that component or service voids all express and any implied warranties for the associated TI component or service and is an unfair and deceptive business practice. TI is not responsible or liable for any such statements.

Buyer acknowledges and agrees that it is solely responsible for compliance with all legal, regulatory and safety-related requirements concerning its products, and any use of TI components in its applications, notwithstanding any applications-related information or support that may be provided by TI. Buyer represents and agrees that it has all the necessary expertise to create and implement safeguards which anticipate dangerous consequences of failures, monitor failures and their consequences, lessen the likelihood of failures that might cause harm and take appropriate remedial actions. Buyer will fully indemnify TI and its representatives against any damages arising out of the use of any TI components in safety-critical applications.

In some cases, TI components may be promoted specifically to facilitate safety-related applications. With such components, TI's goal is to help enable customers to design and create their own end-product solutions that meet applicable functional safety standards and requirements. Nonetheless, such components are subject to these terms.

No TI components are authorized for use in FDA Class III (or similar life-critical medical equipment) unless authorized officers of the parties have executed a special agreement specifically governing such use.

Only those TI components which TI has specifically designated as military grade or "enhanced plastic" are designed and intended for use in military/aerospace applications or environments. Buyer acknowledges and agrees that any military or aerospace use of TI components which have **not** been so designated is solely at the Buyer's risk, and that Buyer is solely responsible for compliance with all legal and regulatory requirements in connection with such use.

TI has specifically designated certain components as meeting ISO/TS16949 requirements, mainly for automotive use. In any case of use of non-designated products, TI will not be responsible for any failure to meet ISO/TS16949.

### Products

Audio	<a href="http://www.ti.com/audio">www.ti.com/audio</a>
Amplifiers	<a href="http://amplifier.ti.com">amplifier.ti.com</a>
Data Converters	<a href="http://dataconverter.ti.com">dataconverter.ti.com</a>
DLP® Products	<a href="http://www.dlp.com">www.dlp.com</a>
DSP	<a href="http://dsp.ti.com">dsp.ti.com</a>
Clocks and Timers	<a href="http://www.ti.com/clocks">www.ti.com/clocks</a>
Interface	<a href="http://interface.ti.com">interface.ti.com</a>
Logic	<a href="http://logic.ti.com">logic.ti.com</a>
Power Mgmt	<a href="http://power.ti.com">power.ti.com</a>
Microcontrollers	<a href="http://microcontroller.ti.com">microcontroller.ti.com</a>
RFID	<a href="http://www.ti-rfid.com">www.ti-rfid.com</a>
OMAP Applications Processors	<a href="http://www.ti.com/omap">www.ti.com/omap</a>
Wireless Connectivity	<a href="http://www.ti.com/wirelessconnectivity">www.ti.com/wirelessconnectivity</a>

### Applications

Automotive and Transportation	<a href="http://www.ti.com/automotive">www.ti.com/automotive</a>
Communications and Telecom	<a href="http://www.ti.com/communications">www.ti.com/communications</a>
Computers and Peripherals	<a href="http://www.ti.com/computers">www.ti.com/computers</a>
Consumer Electronics	<a href="http://www.ti.com/consumer-apps">www.ti.com/consumer-apps</a>
Energy and Lighting	<a href="http://www.ti.com/energy">www.ti.com/energy</a>
Industrial	<a href="http://www.ti.com/industrial">www.ti.com/industrial</a>
Medical	<a href="http://www.ti.com/medical">www.ti.com/medical</a>
Security	<a href="http://www.ti.com/security">www.ti.com/security</a>
Space, Avionics and Defense	<a href="http://www.ti.com/space-avionics-defense">www.ti.com/space-avionics-defense</a>
Video and Imaging	<a href="http://www.ti.com/video">www.ti.com/video</a>

### TI E2E Community

[e2e.ti.com](http://e2e.ti.com)