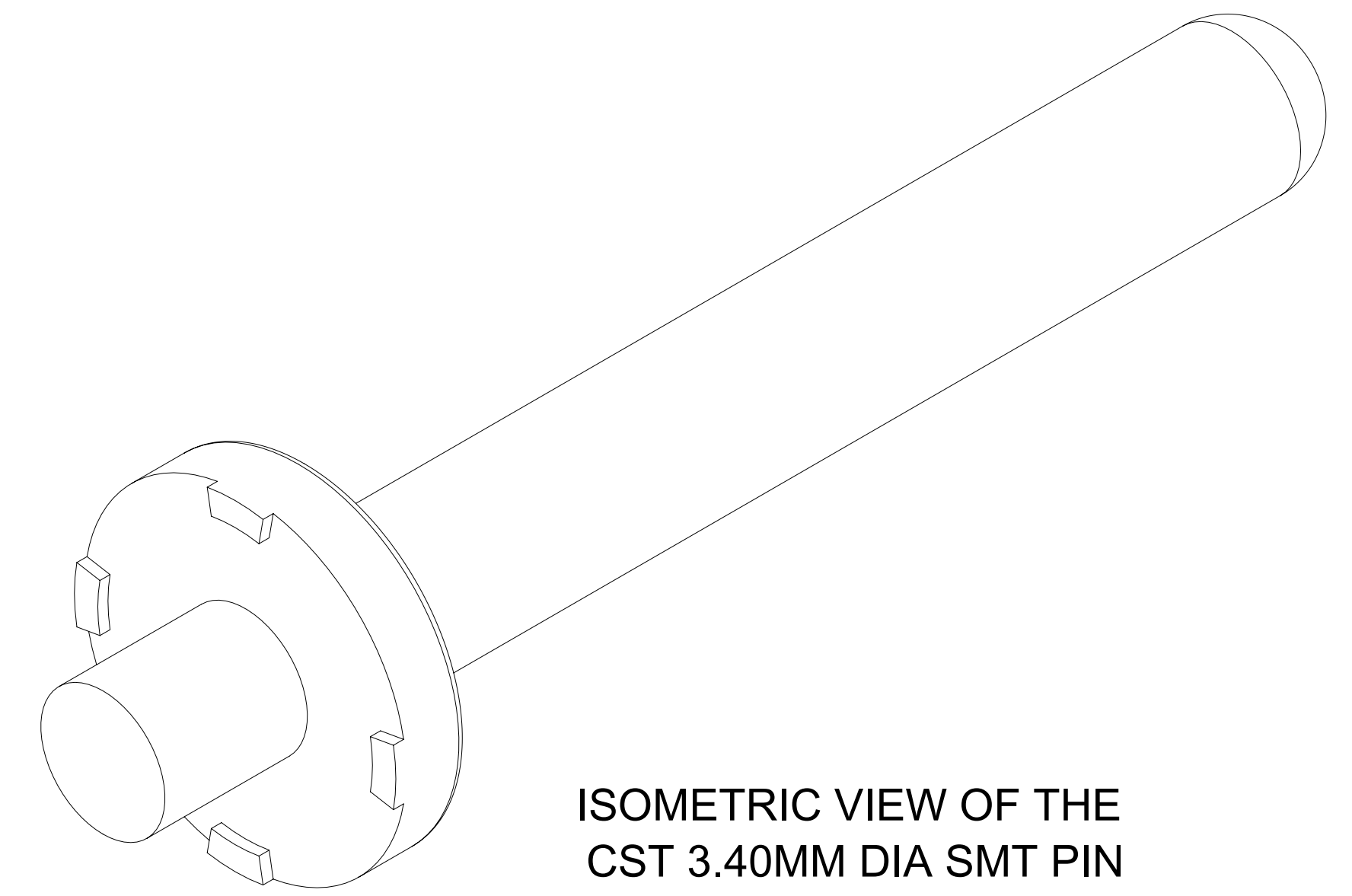


RECOMMENDED PCB LAYOUT



ISOMETRIC VIEW OF THE CST 3.40MM DIA SMT PIN

PART NUMBER	DIMENSION "L"
203263-1134	26.00
203263-1234	20.00
203263-1334	14.00
203263-1434	12.00
203263-1534	39.00
203263-1634	14.50
203263-1734	10.00
203263-1834	15.50
203263-1934	24.00
203263-6134	16.80
203263-6234	38.65
203263-6334	16.00
203263-6634	36.00
203263-6734	48.00

NOTES:

- MATERIALS:
  - BASE METAL: HIGH CONDUCTIVE COPPER ALLOY
  - PLATING ON BODY: 3.18 MICRON MIN SILVER OVER 1.27 MICRON MIN NICKEL
- PRODUCT SPECIFICATION: 2043130018-PS
- APPLICATION SPECIFICATION: 2043130018-AS
- PACKAGING SPECIFICATION: 2032630006-PK
- SILVER COMPONENTS WILL BE SUPPLIED TARNISH FREE BUT MAY TARNISH OVER TIME.
- MINIMUM RECOMMEND PCB THICKNESS 1.58MM

THIS DRAWING CONTAINS INFORMATION THAT IS PROPRIETARY TO MOLEX ELECTRONIC TECHNOLOGIES, LLC AND SHOULD NOT BE USED WITHOUT WRITTEN PERMISSION

DIMENSION UNITS <b>mm</b>	SCALE <b>10:1</b>	CURRENT REV DESC: UPDATED THE DESCRIPTION				
GENERAL TOLERANCES (UNLESS SPECIFIED)						
ANGULAR TOL ± 0.5°	4 PLACES ±	EC NO: 726284	PRODUCT CUSTOMER DRAWING			
3 PLACES ±	2 PLACES ± 0.15	DRWN: SOURAJ 2022/10/26	DOCUMENT NUMBER			
1 PLACE ± 0.25	0 PLACES ±	CHK'D: SUVARS 2022/10/27	DOC TYPE			
DRAFT WHERE APPLICABLE MUST REMAIN WITHIN DIMENSIONS		APPR: GSHARMA 2022/10/28	DOC PART			
THIRD ANGLE PROJECTION		INITIAL REVISION:	REVISION			
DRAWING		DRWN: RLOW 2019/06/03	2032631134-SD			
SERIES		APPR: BPISZCZOR 2019/06/10	PSD 000 A8			
D-SIZE		203263	SEE TABLE			
MATERIAL NUMBER		GENERAL MARKET	SHEET NUMBER			
CUSTOMER		1 OF 1				