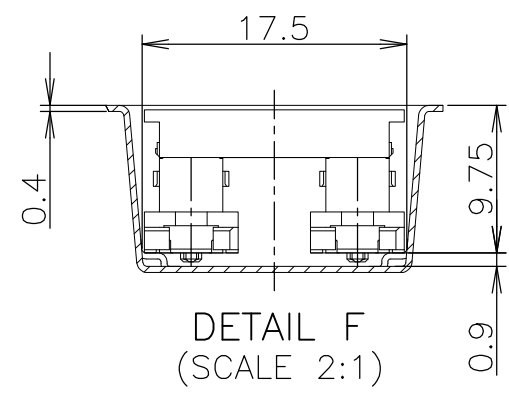
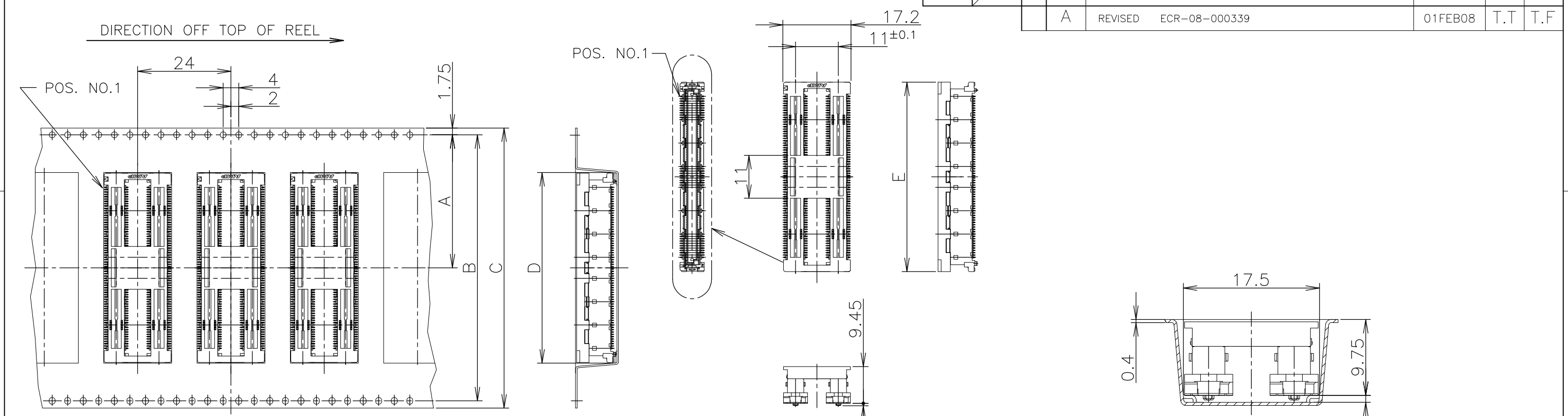


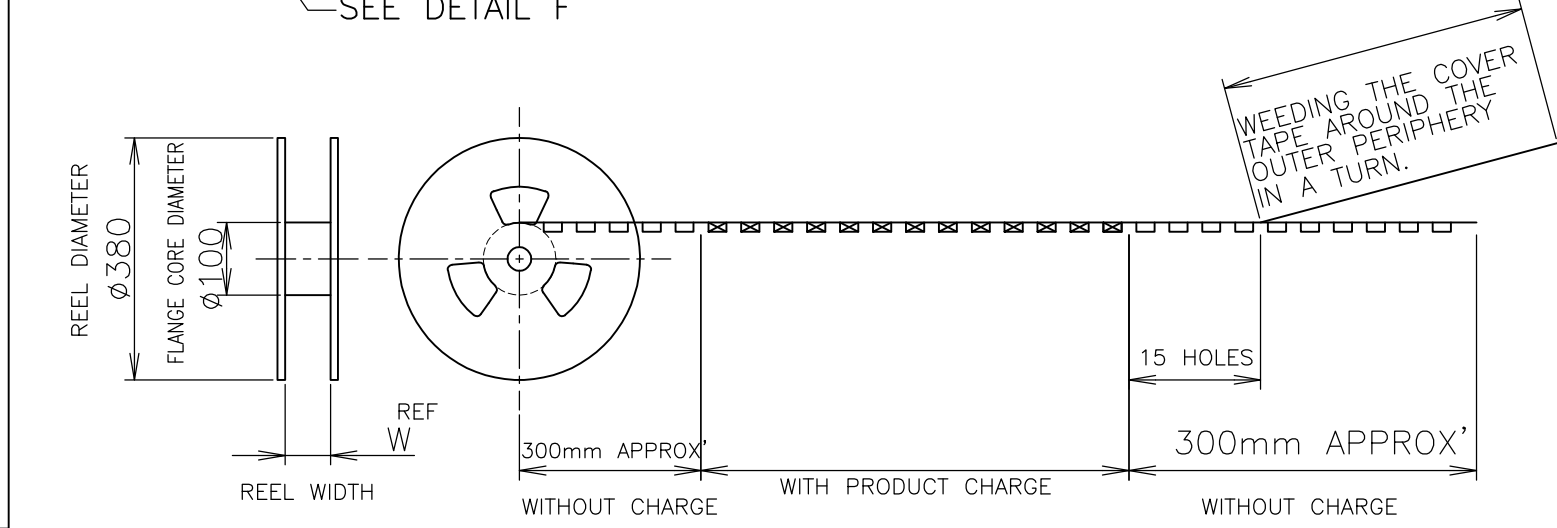
THIS DRAWING IS UNPUBLISHED. RELEASED FOR PUBLICATION JUN , 1996.  
 © COPYRIGHT 1996 BY TYCO ELECTRONICS CORPORATION. ALL RIGHTS RESERVED.

P	LTR	DESCRIPTION	DATE	DWN	APVD



CONNECTOR DETAIL

SEE DETAIL F



WEEDING THE COVER TAPE AROUND THE OUTER PERIPHERY IN A TURN.

SEALANT	NOT AVAILABLE	300	77.5	54.7	55	72	68.4	34.2	320	6-5353135-1
	AVAILABLE	↑	77.5	48.7	49	72	68.4	34.2	280	6-↑-0
NON SEALANT	NOT AVAILABLE	↑	61.5	42.7	43	56	52.4	26.2	240	5-↑-9
	NOT AVAILABLE	300	61.5	36.7	37	56	52.4	26.2	200	5-5353135-8
	NOT AVAILABLE	300	77.5	54.7	55	72	68.4	34.2	320	1-5353135-1
	AVAILABLE	↑	77.5	48.7	49	72	68.4	34.2	280	1-↑-0
SEALANT	NOT AVAILABLE	↑	61.5	42.7	43	56	52.4	26.2	240	↑-9
	AVAILABLE	300	61.5	36.7	37	56	52.4	26.2	200	5353135-8
TOOLING STATUS		QTY.	W	E	D	C	B	A	POS.	PART NO.

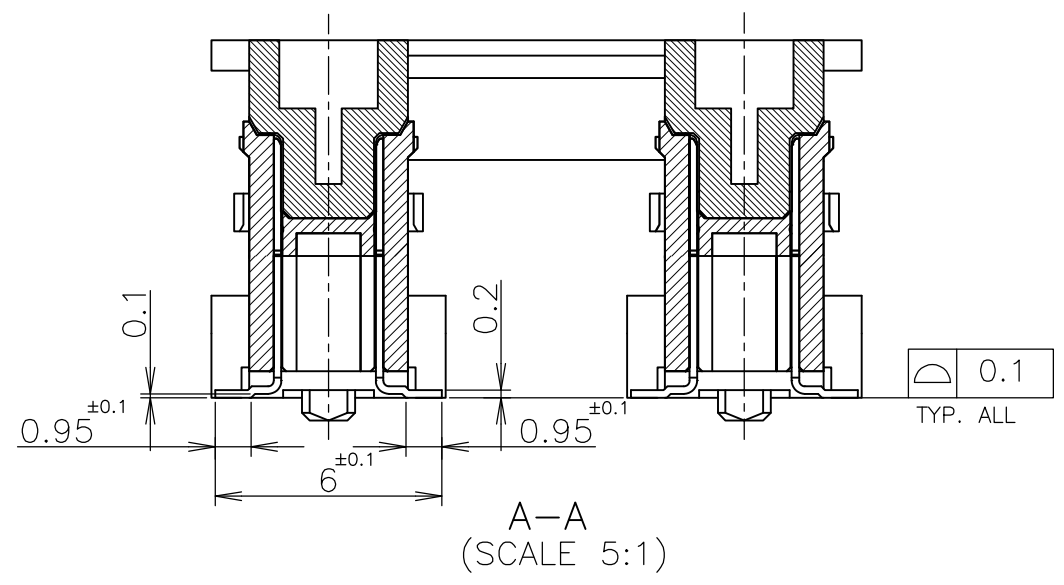
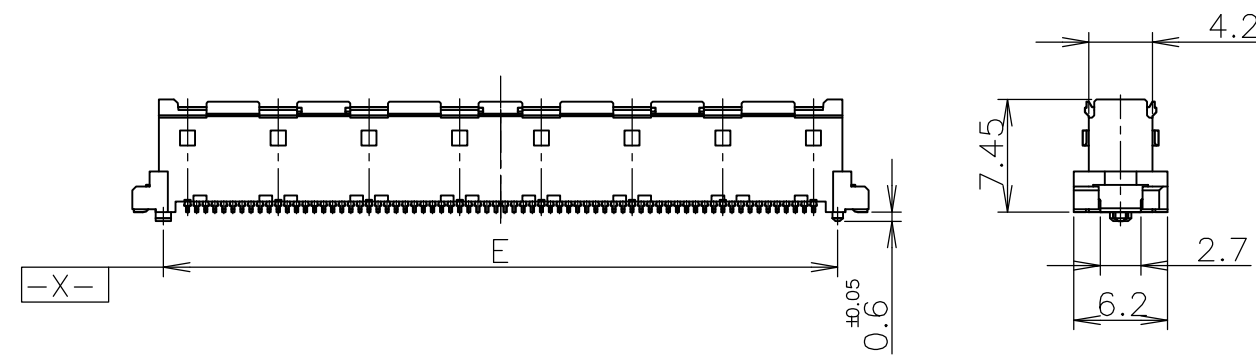
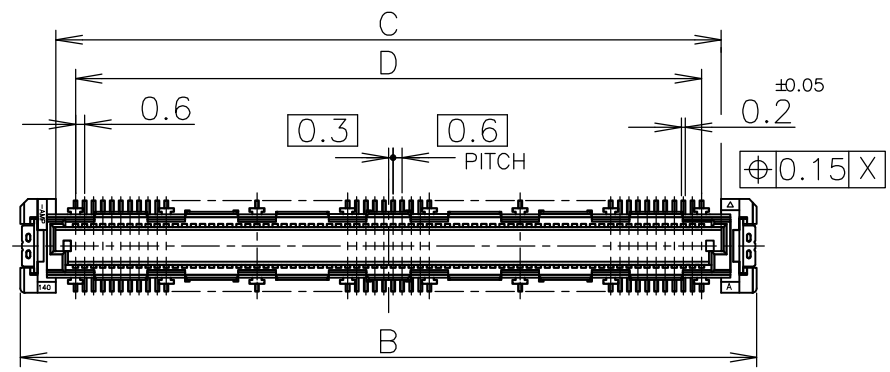
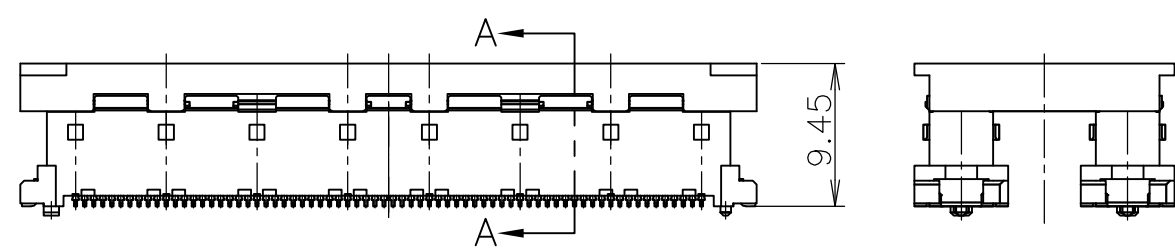
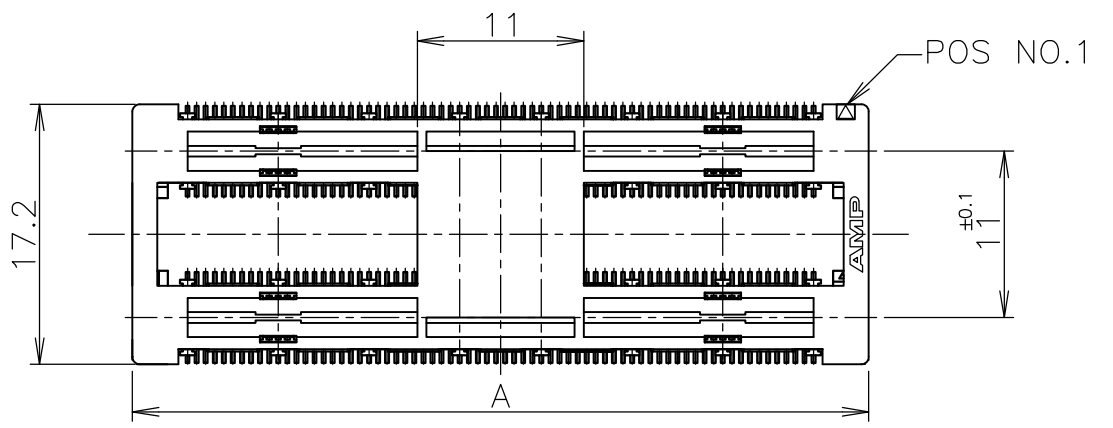
3 THIS PRODUCT WAS COATED BY FLUX-PENETRATION -INHIBITING AGENT.

THIS DRAWING IS A CONTROLLED DOCUMENT.

DIMENSIONS: 单位: 耗 mm	TOLERANCES UNLESS OTHERWISE SPECIFIED: 一般公差	DWN HAWKING HE 20DEC04	Tyco Electronics Corporation Kawasaki, Japan	
MATERIAL 材料	FINISH 仕上	CHK STEVEN YAO 20DEC04	NAME 名称	
		APVD I.ENOMOTO 20DEC04	EMBOSS ASSY	
		PRODUCT SPEC 製品規格 108-60047	FH 0.6BTB CONNECTOR	
		APPLICATION SPEC 取付適用規格 114-5255	SIZE A3	CAGE CODE 00779
		WEIGHT	DRAWING NO 番号 G-5353135	RESTRICTED TO
CUSTOMER DRAWING			SCALE 尺度 1:1	SHEET 1 OF 3

THIS DRAWING IS UNPUBLISHED. RELEASED FOR PUBLICATION JUN, 1996.  
 © COPYRIGHT 1996 BY TYCO ELECTRONICS CORPORATION. ALL RIGHTS RESERVED.

LOC	DIST	REVISIONS			DATE	DWN	APVD
		P	LTR	DESCRIPTION			
J				SEE SHEET 1	-	-	-



- ① MATERIAL ; HOUSING : HIGH TEMP THERMO PLASTIC UL94V-0  
CONTACT : COPPER ALLOY
- ② FINISH ; UNDER PL Ni 0.0013mm MIN ALL OVER.  
CONTACTING AREA 0.0002 MIN Au PL.  
SOLDERING AREA 0.001 MIN TIN PL.

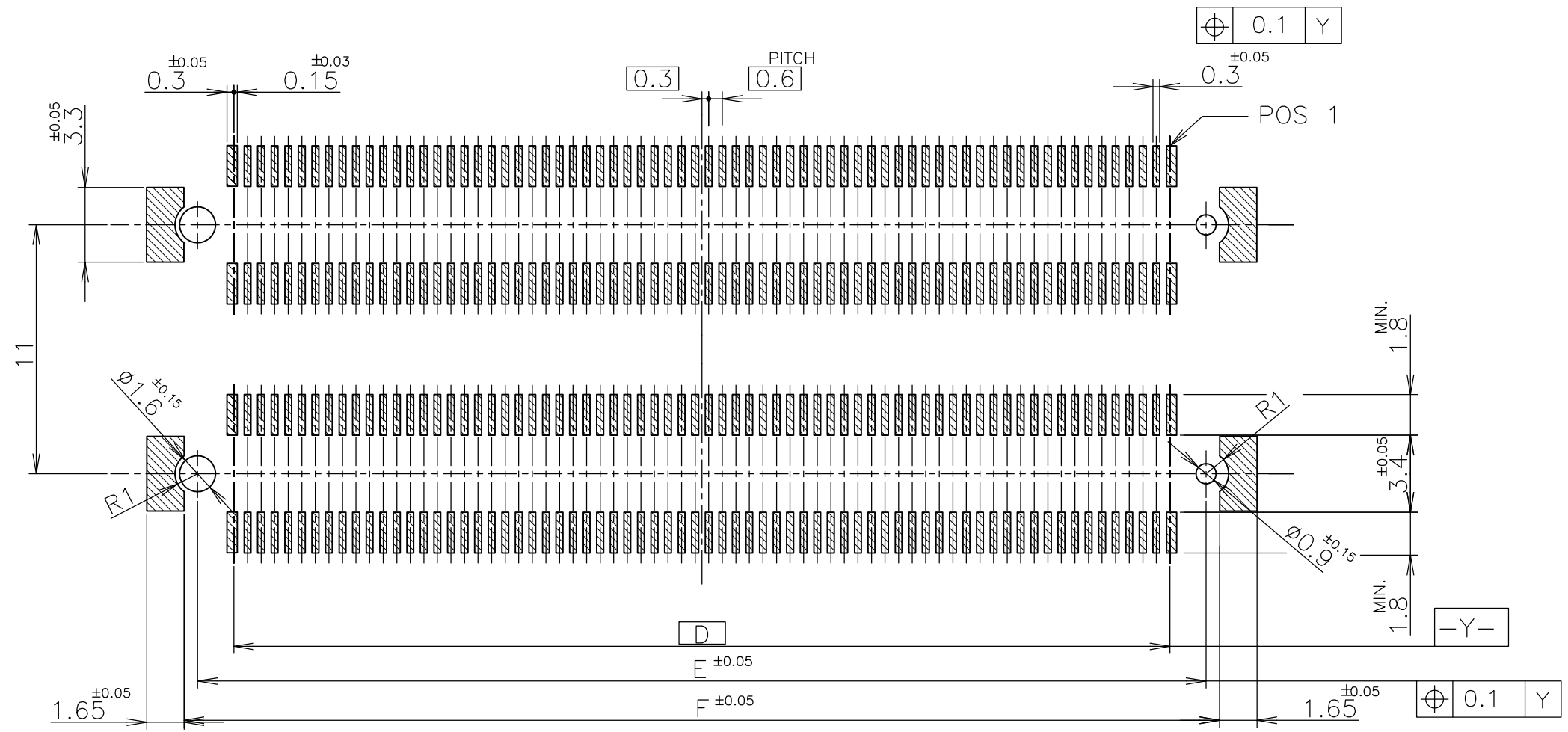
51.8	50.6	47.4	50	54.7	54.7	320
45.8	44.6	41.4	44	48.7	48.7	280
39.8	38.6	35.4	38	42.7	42.7	240
33.8	32.6	29.4	32	36.7	36.7	200
F	E	D	C	B	A	POS

GENERAL TOLERANCE  
 一般公差  
 10 ≥ : ±0.2  
 30 ≥ : >10: ±0.25  
 100 ≥ : >30: ±0.3  
 ANGLES: ±3°

THIS DRAWING IS A CONTROLLED DOCUMENT.		DWN	Tyco Electronics Corporation Kawasaki, Japan			
DIMENSIONS: 単位: 耗 mm		CHK	NAME 名称			
TOLERANCES UNLESS OTHERWISE SPECIFIED: 一般公差		APVD	EMBOSS ASSY FH 0.6BTB CONNECTOR PLUG 8H 2ROW TYPE			
0 PLC ± - 1 PLC ± - 2 PLC ± - 3 PLC ± - 4 PLC ± - ANGLES ± -		PRODUCT SPEC 製品規格	SIZE	CAGE CODE	DRAWING NO 番号	RESTRICTED TO
MATERIAL 材料		APPLICATION SPEC 取付適用規格	A3	00779	G-5353135	
FINISH 仕上		WEIGHT	CUSTOMER DRAWING		SCALE 尺度 2:1	SHEET 2 OF 3
①		②			REV A	

THIS DRAWING IS UNPUBLISHED. RELEASED FOR PUBLICATION JUN , 1996.  
 © COPYRIGHT 1996 BY TYCO ELECTRONICS CORPORATION. ALL RIGHTS RESERVED.

LOC		DIST		REVISIONS			DATE	DWN	APVD
J				変更					
P	LTR	DESCRIPTION							
	-	SEE SHEET 1							



REFERENCE P.C.BOARD LAYOUT

GENERAL TOLERANCE  
一般公差

10 ≥	±0.2
30 ≥	>10: ±0.25
100 ≥	>30: ±0.3
ANGLES: ±3°	

THIS DRAWING IS A CONTROLLED DOCUMENT.		DWN	Tyco Electronics Corporation Kawasaki, Japan		
DIMENSIONS: 単位: 耗 mm		CHK	NAME 名称		
TOLERANCES UNLESS OTHERWISE SPECIFIED: 一般公差		APVD	EMBOSS ASSY FH 0.6BTB CONNECTOR PLUG 8H 2ROW TYPE		
0 PLC ± -		PRODUCT SPEC	SIZE	CAGE CODE	DRAWING NO
1 PLC ± -		製品規格	A3	00779	G-5353135
2 PLC ± -		APPLICATION SPEC	RESTRICTED TO		
3 PLC ± -		取付適用規格			
4 PLC ± -		WEIGHT			
ANGLES ± -		CUSTOMER DRAWING			
MATERIAL 材料	FINISH 仕上	SCALE 尺度 4:1		SHEET 3 OF 3	REV A