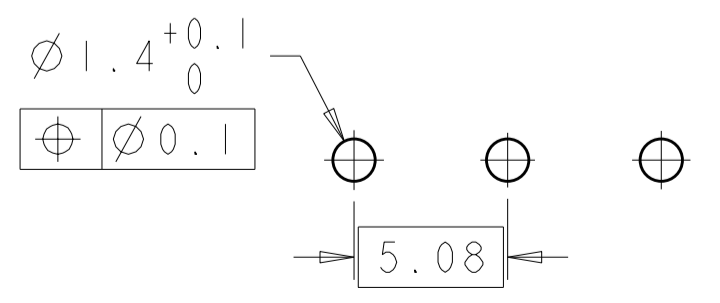
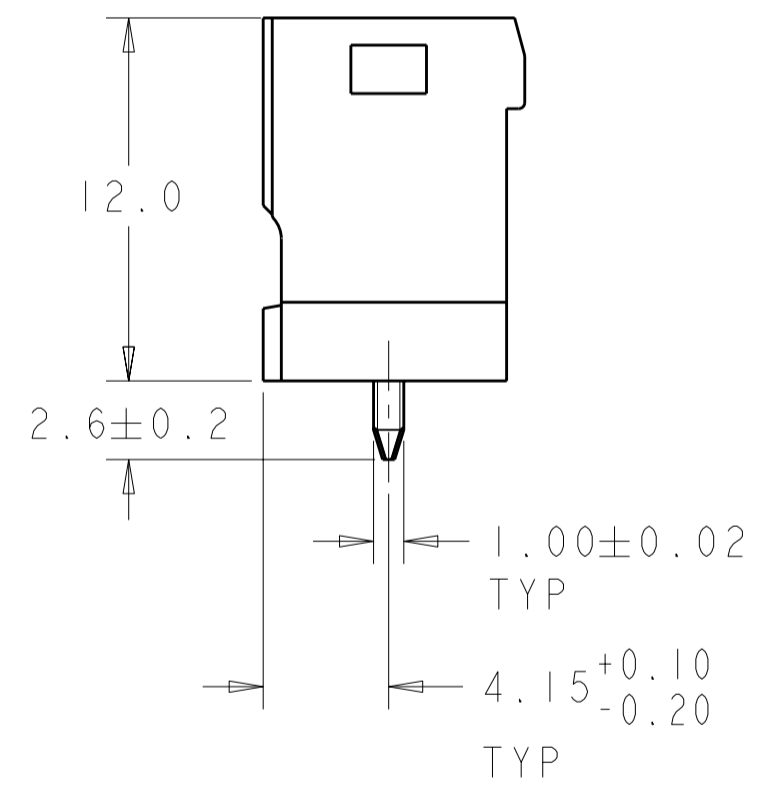
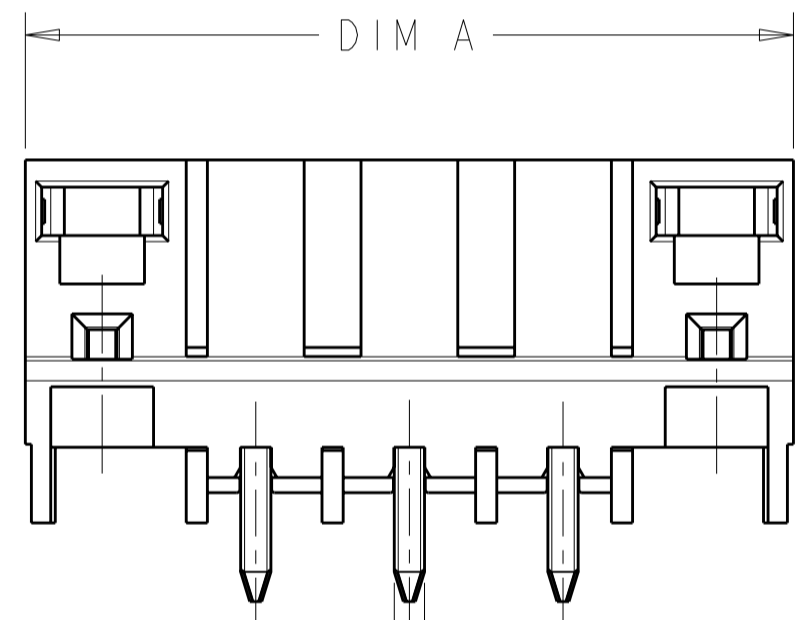
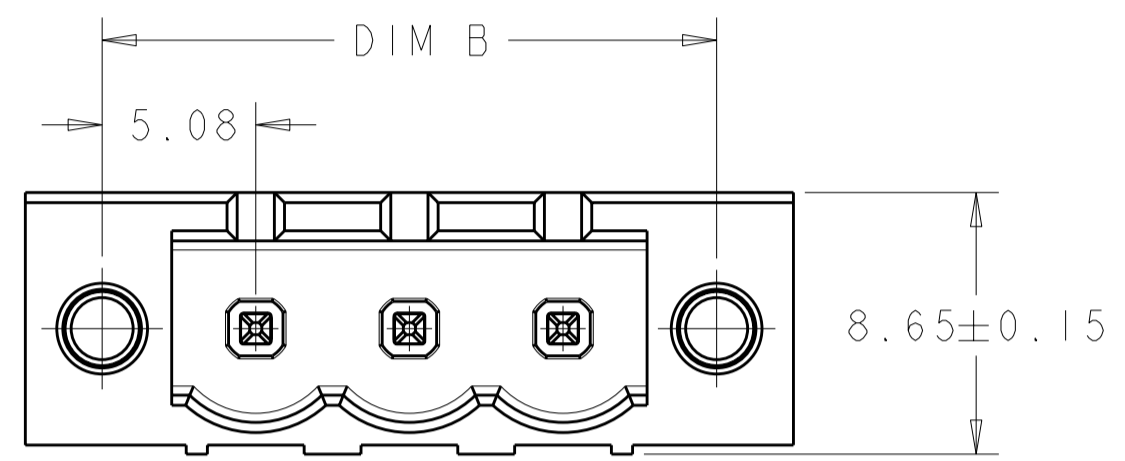


THIS DRAWING IS UNPUBLISHED. RELEASED FOR PUBLICATION 20
 © COPYRIGHT 20 BY TYCO ELECTRONICS CORPORATION. ALL RIGHTS RESERVED.

LOC	DIST	REVISIONS			
P	LTR	DESCRIPTION	DATE	DWN	APVD
FT	0				
	1	-	10DEC2008	SS	CR



RECOMMENDED PC BOARD LAYOUT

- 1. MATERIALS:
 HOUSING: PA 6-6, UL 94V-0, COLOR: GREEN.
 TERMINAL: PHOSPHOR BRZ, TIN PLATED
- 2. SUITABLE FOR 1.6-2.4mm PC BOARD THICKNESS.
- 3. RECOGNIZED UNDER THE COMPONENT PROGRAM OF UNDERWRITERS LABORATORIES INC. FILE NO. E60677.
- 4. IMQ CERTIFICATE WITH SURVEILLANCE ON CONFORMITY WITH IEC 998-1/998-2-1.
- 5. NOT CUMULATIVE TOLERANCE.
- 6. TE LOGO TO APPEAR ON HOUSING, LOCATION OPTIONAL WHERE SPACE PERMITS.
- 7. STANDARD PACKAGE.
- 8. TAPE AND REEL PACKAGE.

THIS PRINT IS
PRELIMINARY
 THE INFORMATION CONTAINED IN THIS DOCUMENT IS CONFIDENTIAL AND PROPRIETARY TO TYCO ELECTRONICS
 DO NOT REPRODUCE OR DISTRIBUTE
 DESIGN IS SUBJECT TO CHANGE WITHOUT NOTICE

8	20.32	25.40	3	2-1986485-3
7	20.32	25.40	3	1986485-3
NOTES	DIM B	DIM A	NO OF POS	PART NUMBER

THIS DRAWING IS A CONTROLLED DOCUMENT FOR TYCO ELECTRONICS CORPORATION IT IS SUBJECT TO CHANGE AND THE CONTROLLING ENGINEERING ORGANIZATION SHOULD BE CONTACTED FOR THE LATEST REVISION.		DWN S. SCHLEGEL 10DEC2008 CHK C. RICHARD 10DEC2008 APVD C. RICHARD 10DEC2008	Tyco Electronics Harrisburg, PA 17105-3608
DIMENSIONS: mm	TOLERANCES UNLESS OTHERWISE SPECIFIED: 0 PLC ±- 1 PLC ±0.3 2 PLC ±0.25 3 PLC ±0.000 4 PLC ±0.000 ANGLES ±2° FINISH	PRODUCT SPEC APPLICATION SPEC	NAME TERMINAL BLOCK HEADER ASSY, VERTICAL W/ LOCKING SCREW, FLG 5.08mm HIGH TEMP
MATERIAL	1	WEIGHT -	SIZE A200779
CUSTOMER DRAWING		SCALE 4:1	SHEET OF REV