

THIS DRAWING IS UNPUBLISHED.

RELEASED FOR PUBLICATION

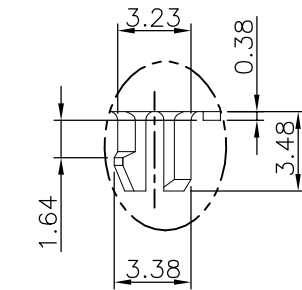
© COPYRIGHT 2011 BY TYCO ELECTRONICS CORPORATION. ALL RIGHTS RESERVED.

LOC DW DIST

REVISIONS

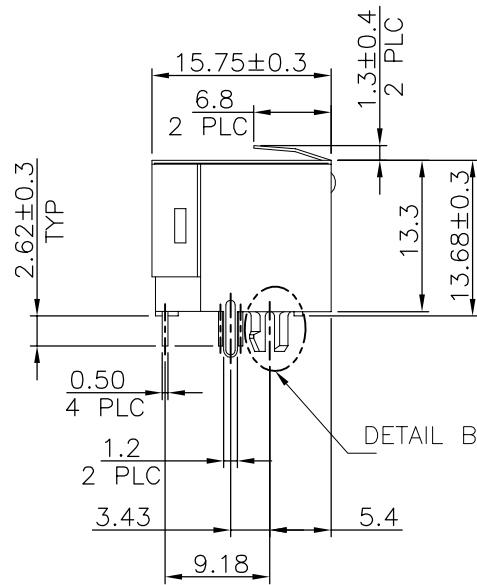
| P | LTR | DESCRIPTION | DATE | DWN | APVD |
|---|-----|--|-----------|-----|------|
| | B4 | REVISED (ECO-14-012616), OBSOLETE 3-6. | 30DEC2014 | LL | SH |

| LED SCHEMATIC | |
|---------------|------------|
| POSITION 2 | POSITION 1 |
| GREEN | YELLOW |
| 9+ -> -10 | 11+ -> -12 |
| FOR 1734320-X | |



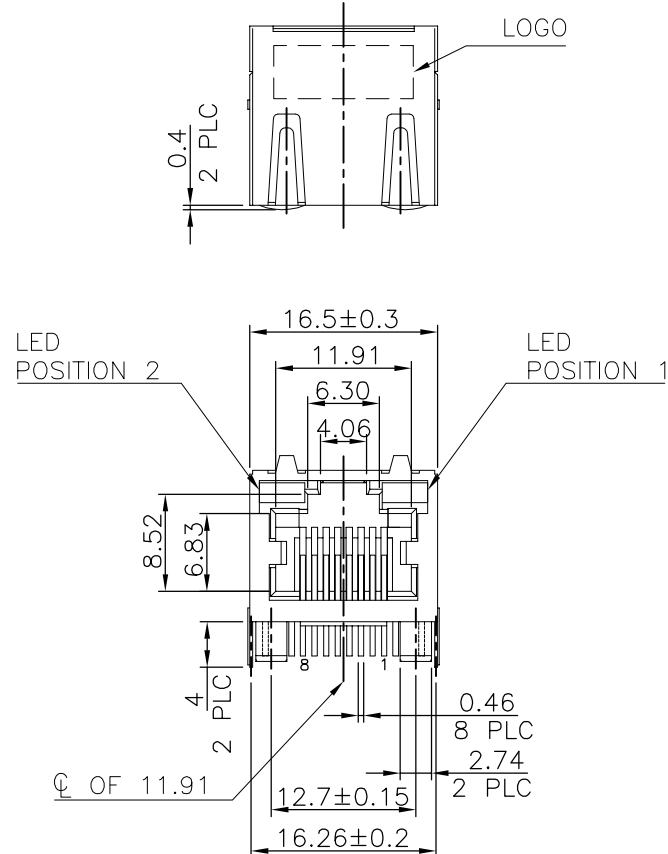
DETAIL B (SCALE 2:1)

| LED SCHEMATIC | |
|-----------------|------------|
| POSITION 2 | POSITION 1 |
| YELLOW | GREEN |
| 9+ -> -10 | 11+ -> -12 |
| FOR 1-1734320-X | |

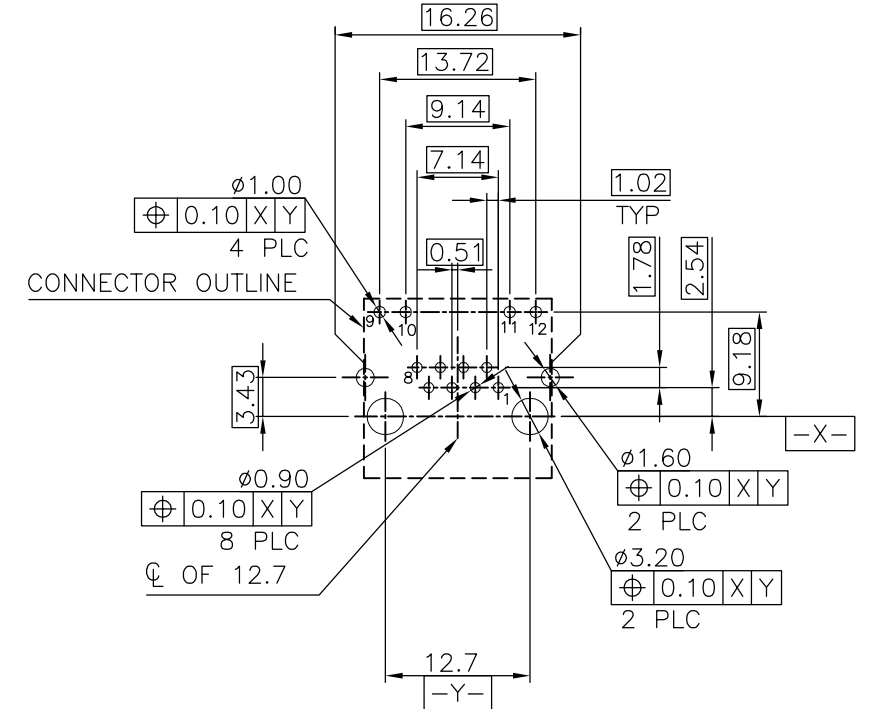


DETAIL B

| LED SCHEMATIC | |
|-----------------|------------|
| POSITION 2 | POSITION 1 |
| GREEN | GREEN |
| 9+ -> -10 | 11+ -> -12 |
| | YELLOW |
| FOR 4-1734320-X | |



LED POSITION 2 LED POSITION 1



RECOMMENDED PCB LAYOUT TOLERANCE: ±0.05 (TOP VIEW)

| 5 OBSOLETE | GREEN | GREEN/YELLOW | 1.27µm [50µ"] | 4=1734320=4 |
|------------|-----------------|--------------|---------------------|-------------|
| OBSOLETE | | | 0.762µm [30µ"] | 4=1734320=3 |
| | | | 0.381µm [15µ"] | 4=1734320=2 |
| | | | 0.152µm [6µ"] | 4=1734320=1 |
| 5 OBSOLETE | YELLOW | GREEN | 1.27µm [50µ"] | 1=1734320=4 |
| | | | 0.762µm [30µ"] | 1=1734320=3 |
| | | | 0.381µm [15µ"] | 1=1734320=2 |
| | | | 0.152µm [6µ"] | 1=1734320=1 |
| OBSOLETE | GREEN | YELLOW | 1.27µm [50µ"] | 1734320=4 |
| | | | 0.762µm [30µ"] | 1734320=3 |
| 5 OBSOLETE | | | 0.381µm [15µ"] | 1734320=2 |
| | | | 0.152µm [6µ"] | 1734320=1 |
| | POSITION 2 | POSITION 1 | MIN. GOLD THICKNESS | PART NUMBER |
| | INDICATOR COLOR | | | |

- NOTE:
- MATERIAL:
HOUSING: PA46, WITH 30% GF.
UL 94V-0, BLACK COLOR.
CONTACTS: PHOSPHOR BRONZE.
SHELL: BRASS.
LED SOLDER TAIL: STEEL.
 - FINISH:
CONTACTS: (SEE TABLE) GOLD PLATED ON CONTACT AREA,
GOLD PLATED ON SOLDER TAIL,
WITH ENTIRE CONTACT UNDERPLATED
1.27µm [50µ"] MIN. NICKEL.
SHELL: 0.508µm [20µ"] MIN. NICKEL PLATED.
LED SOLDER TAIL: 2.159µm [85µ"] MIN. TIN PLATED.
 - RECOMMENDED PCB THICKNESS: 1.6mm.
 - WAVE SOLDER CAPABLE TO 265°C PER TE SPEC 109-202, CONDITION B.
- 5 OBSOLETE PARTS: OBSOLETE CIS STREAMLINING PER D.RENAUD/D.SINISI

| | | | | |
|--|--|-------------------|---|--|
| THIS DRAWING IS A CONTROLLED DOCUMENT. | | DWN 09JUN2009 | STE TE Connectivity | |
| | | B. HSING | | |
| | | CHK 09JUN2009 | NAME | |
| | | S. CHIEN | | |
| | | APVD 09JUN2009 | MODULAR JACK CONNECTOR RJ45, SINGLE PORT, SIDE ENTRY, DIP TYPE | |
| | | W. KODAMA | | |
| DIMENSIONS: mm | | PRODUCT SPEC | SIZE CAGE CODE DRAWING NO RESTRICTED TO | |
| | | 108-57535 | | |
| TOLERANCES UNLESS OTHERWISE SPECIFIED: | | APPLICATION SPEC | A3 00779 C=1734320 | |
| | | | | |
| MATERIAL SEE NOTE | | WEIGHT 4.95 GRAMS | SCALE SHEET 1 OF 6 REV B4 | |
| FINISH SEE NOTE | | CUSTOMER DRAWING | | |

THIS DRAWING IS UNPUBLISHED.

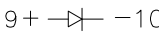
RELEASED FOR PUBLICATION

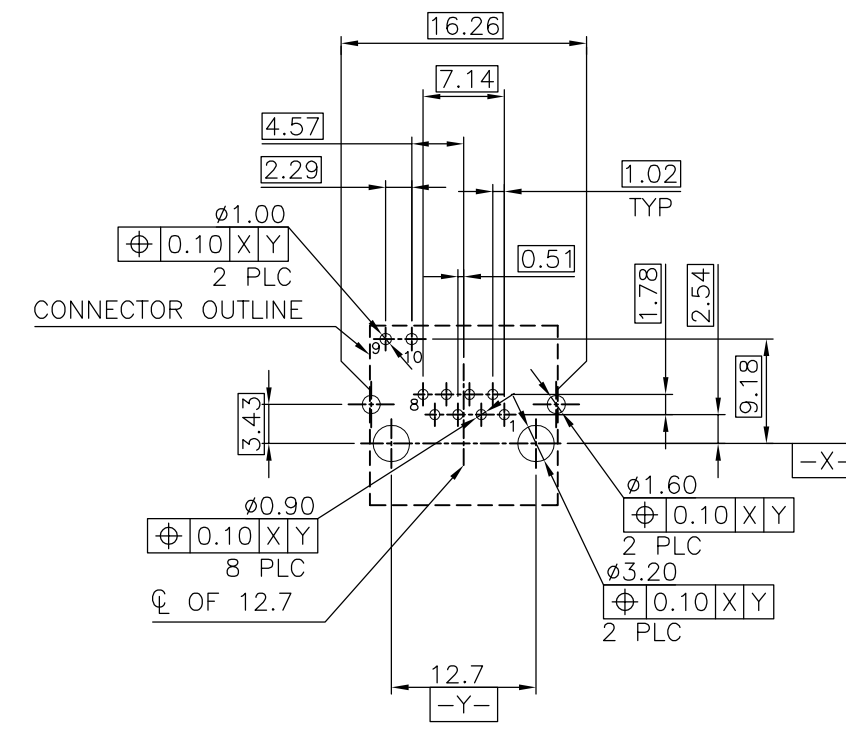
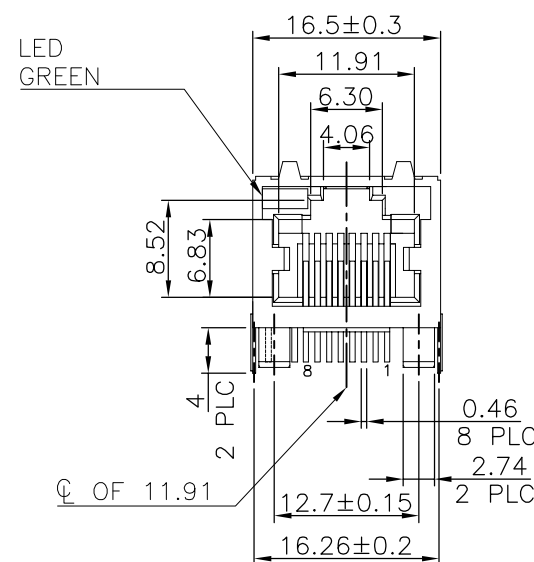
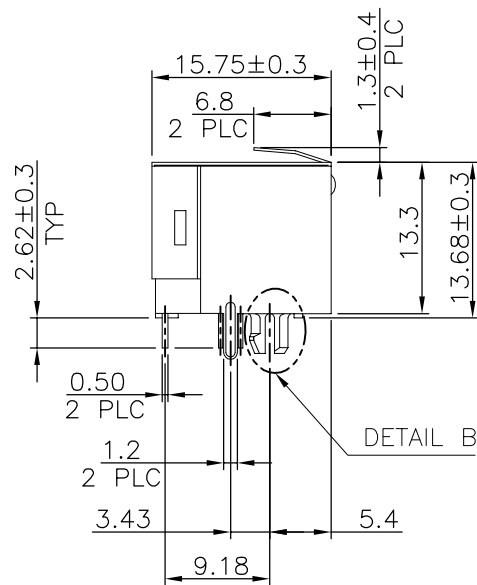
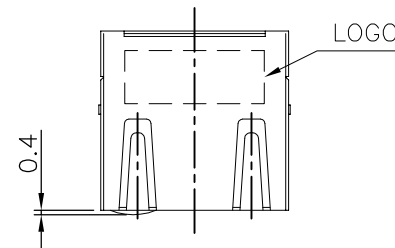
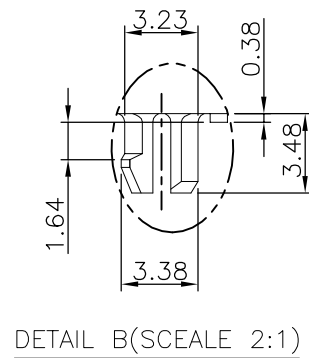
© COPYRIGHT 2011 BY TYCO ELECTRONICS CORPORATION. ALL RIGHTS RESERVED.

LOC DW DIST

REVISIONS


| P | LTR | DESCRIPTION | DATE | DWN | APVD |
|---|-----|--------------|------|-----|------|
| | | SEE SHEET 1. | | | |

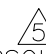
| |
|--|
| LED SCHEMATIC |
| GREEN |
| 9+  -10 |




RECOMMENDED PCB LAYOUT TOLERANCE: ±0.05 (TOP VIEW)

NOTE:

- MATERIAL:
HOUSING: PA46, WITH 30% GF.
UL 94V-0, BLACK COLOR.
CONTACTS: PHOSPHOR BRONZE.
SHELL: BRASS.
LED SOLDER TAIL: STEEL.
 - FINISH:
CONTACTS: (SEE TABLE) GOLD PLATED ON CONTACT AREA,
GOLD PLATED ON SOLDER TAIL,
WITH ENTIRE CONTACT UNDERPLATED
1.27µm [50µ"] MIN. NICKEL.
SHELL: 0.508µm [20µ"] MIN. NICKEL PLATED.
LED SOLDER TAIL: 2.159µm [85µ"] MIN. TIN PLATED.
 - RECOMMENDED PCB THICKNESS: 1.6mm.
 - WAVE SOLDER CAPABLE TO 265°C PER TE SPEC 109-202, CONDITION B.
-  OBSOLETE PARTS: OBSOLETE CIS STREAMLINING PER D.RENAUD/D.SINISI

|  OBSOLETE | 1.27µm [50µ"] | 2=1734320=4 |
|--|---------------------|-------------|
| | 0.762µm [30µ"] | 2=1734320=3 |
| | 0.381µm [15µ"] | 2=1734320=2 |
| | 0.152µm [6µ"] | 2=1734320=1 |
| | MIN. GOLD THICKNESS | PART NUMBER |

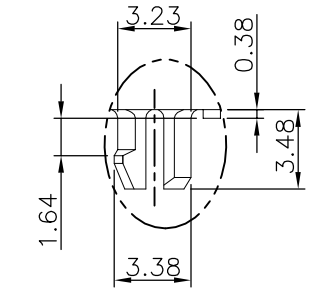
| | | | | | |
|--|--------|------------------|--|---|---------------|
| THIS DRAWING IS A CONTROLLED DOCUMENT. | | DWN | |  TE Connectivity | |
| DIMENSIONS: mm | | CHK | | | |
| TOLERANCES UNLESS OTHERWISE SPECIFIED: | | APVD | | NAME | |
| 0 PLC ± - | | PRODUCT SPEC | | MODULAR JACK CONNECTOR | |
| 1 PLC ± 0.3 | | APPLICATION SPEC | | RJ45, SINGLE PORT, SIDE ENTRY, DIP TYPE | |
| 2 PLC ± 0.2 | | WEIGHT | | SIZE | RESTRICTED TO |
| 3 PLC ± 0.15 | | CUSTOMER DRAWING | | A3 | |
| 4 PLC ± - | | SCALE | | CAGE CODE | DRAWING NO |
| ANGLES ± 3' | | SHEET | | 00779 | C=1734320 |
| MATERIAL | FINISH | REV | | B4 | |
| | | 2 OF 6 | | | |

THIS DRAWING IS UNPUBLISHED. RELEASED FOR PUBLICATION
 © COPYRIGHT 2011 BY TYCO ELECTRONICS CORPORATION. ALL RIGHTS RESERVED.

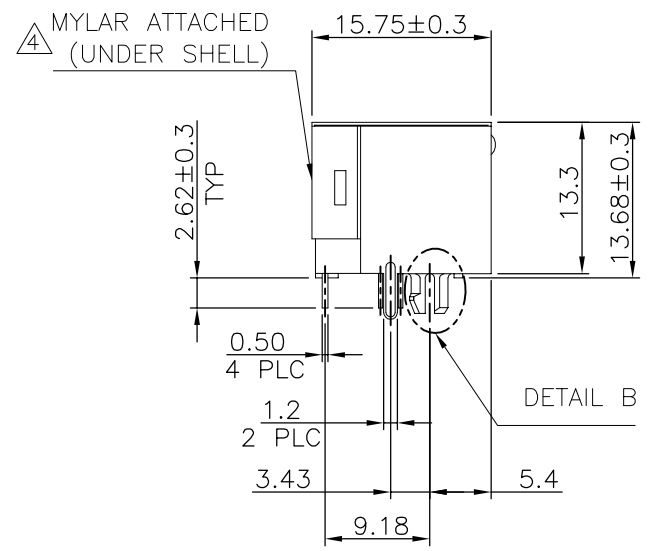
| LOC | DIST | REVISIONS | | | |
|-----|------|--------------|------|-----|------|
| P | LTR | DESCRIPTION | DATE | DWN | APVD |
| DW | / | SEE SHEET 1. | | | |

| LED SCHEMATIC | |
|-------------------|------------|
| POSITION 2 | POSITION 1 |
| GREEN | YELLOW |
| 9+ -10 | 11+ -12 |
| FOR 5-1734320-1~4 | |

| LED SCHEMATIC | |
|-------------------|------------|
| POSITION 2 | POSITION 1 |
| YELLOW | GREEN |
| 9+ -10 | 11+ -12 |
| FOR 5-1734320-5~8 | |

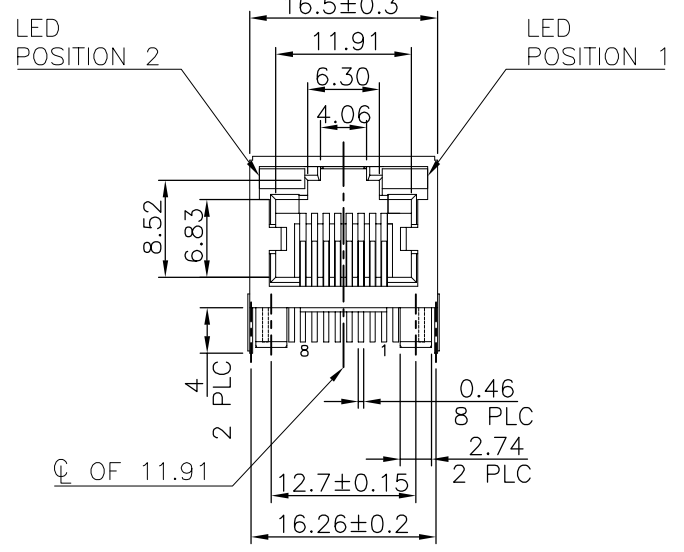
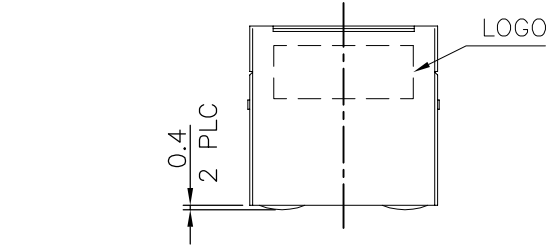


DETAIL B (SCALE 2:1)



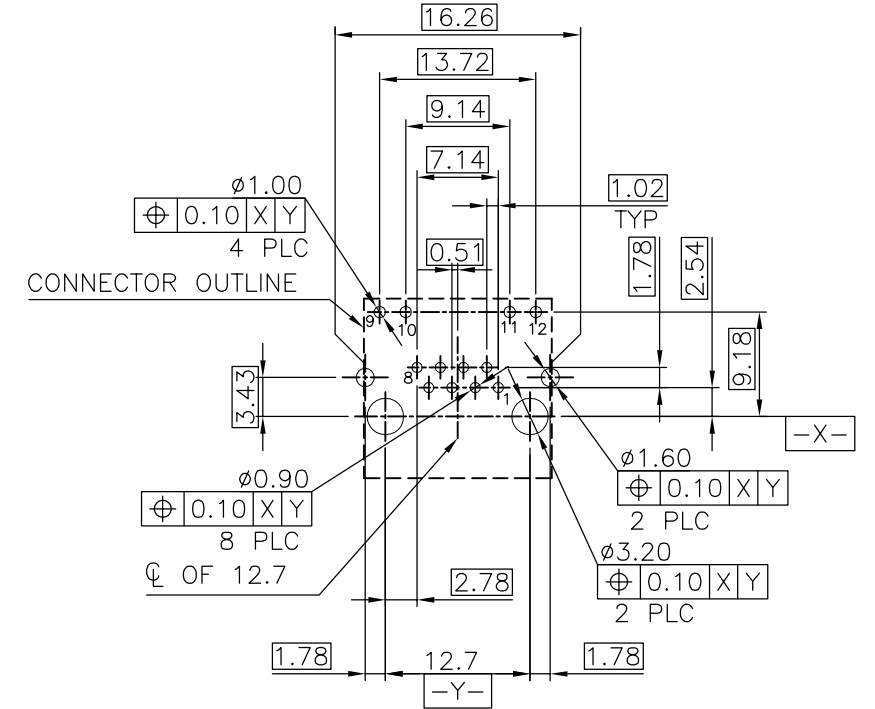
MYLAR ATTACHED (UNDER SHELL)

DETAIL B



LED POSITION 2

LED POSITION 1



RECOMMENDED PCB LAYOUT
 TOLERANCE: ±0.05 (TOP VIEW)

NOTE:

- MATERIAL:
 HOUSING: PA46, WITH 30% GF.
 UL 94V-0, BLACK COLOR.
 CONTACTS: PHOSPHOR BRONZE.
 SHELL: BRASS.
 LED SOLDER TAIL: STEEL.
 MYLAR: SILICONE POLYMER.
- FINISH:
 CONTACTS: (SEE TABLE) GOLD PLATED ON CONTACT AREA,
 GOLD PLATED ON SOLDER TAIL,
 WITH ENTIRE CONTACT UNDERPLATED
 1.27µm [50µ"] MIN. NICKEL.
 SHELL: 0.508µm [20µ"] MIN. NICKEL PLATED.
 LED SOLDER TAIL: 2.159µm [85µ"] MIN. TIN PLATED.
- RECOMMENDED PCB THICKNESS: 1.6mm.
- MYLAR ATTACHED UNDER SHELL.
- WAVE SOLDER CAPABLE TO 265°C PER TE SPEC 109-202, CONDITION B.

| | | | | |
|-----------------|--------|------------|---------------------|-------------|
| OBSOLETE | YELLOW | GREEN | 1.27µm [50µ"] | 5-1734320-8 |
| | | | 0.762µm [30µ"] | 5-1734320-7 |
| | | | 0.381µm [15µ"] | 5-1734320-6 |
| | | | 0.152µm [6µ"] | 5-1734320-5 |
| OBSOLETE | GREEN | YELLOW | 1.27µm [50µ"] | 5-1734320-4 |
| | | | 0.762µm [30µ"] | 5-1734320-3 |
| | | | 0.381µm [15µ"] | 5-1734320-2 |
| | | | 0.152µm [6µ"] | 5-1734320-1 |
| POSITION 2 | | POSITION 1 | MIN. GOLD THICKNESS | PART NUMBER |
| INDICATOR COLOR | | | | |

| | | | | | |
|--|--|------------------|---|-----------|------------|
| THIS DRAWING IS A CONTROLLED DOCUMENT. | | DWN | TE Connectivity | | |
| DIMENSIONS: mm | | CHK | NAME | | |
| TOLERANCES UNLESS OTHERWISE SPECIFIED: | | APVD | MODULAR JACK CONNECTOR RJ45, SINGLE PORT, SIDE ENTRY, DIP TYPE | | |
| 0 PLC ± - | | PRODUCT SPEC | SIZE | CAGE CODE | DRAWING NO |
| 1 PLC ± 0.3 | | APPLICATION SPEC | A3 | 00779 | C=1734320 |
| 2 PLC ± 0.2 | | WEIGHT | RESTRICTED TO | | |
| 3 PLC ± 0.15 | | CUSTOMER DRAWING | SCALE | | |
| 4 PLC ± - | | | SHEET 5 OF 6 | | |
| ANGLES ± 3' | | | REV B4 | | |
| MATERIAL | | | | | |
| FINISH | | | | | |

4

3

2

1

THIS DRAWING IS UNPUBLISHED.

RELEASED FOR PUBLICATION

© COPYRIGHT 2011 BY TYCO ELECTRONICS CORPORATION. ALL RIGHTS RESERVED.

LOC

DIST

REVISIONS

DW

P

LTR

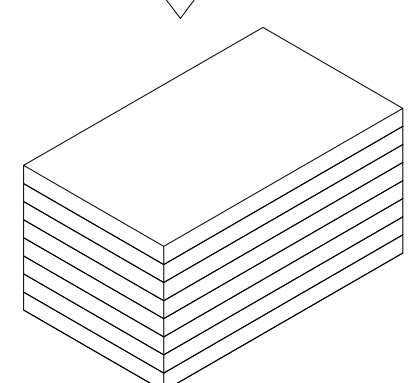
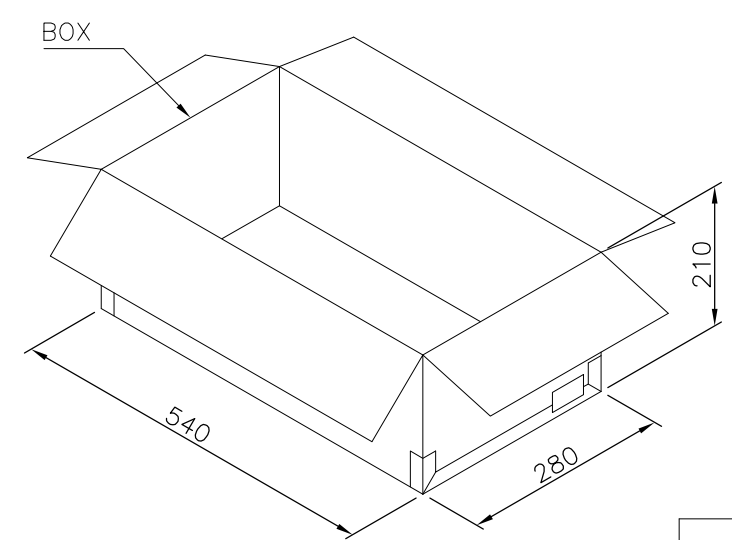
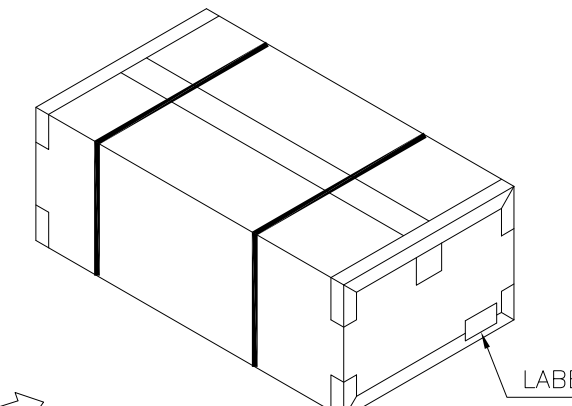
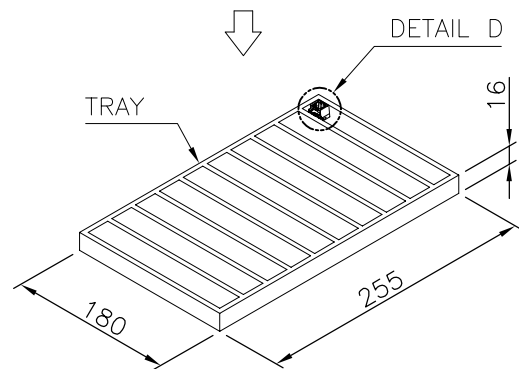
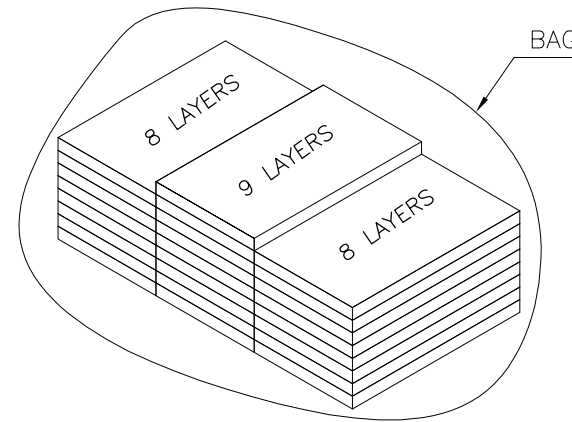
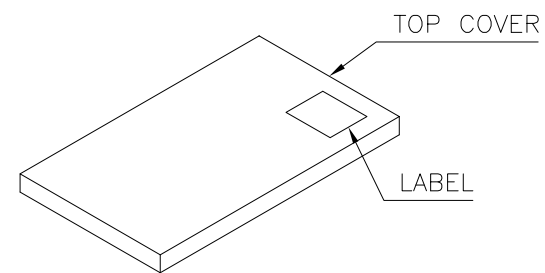
DESCRIPTION

DATE

DWN

APVD

SEE SHEET 1.

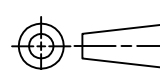


| | | | | | |
|---------------------|-------------------|----------|------------|----------|---|
| 13 Kg | 11 Kg | 90 | 25 | 2250 PCS | 3-1734320-X |
| 14.4 Kg | 12.4 Kg | 100 | 25 | 2500 PCS | 5-1734320-X 4-1734320-X 2-1734320-X 1-1734320-X 1734320-X |
| GROSS WEIGHT (Ref.) | NET WEIGHT (Ref.) | PCS/TRAY | TRAYS /BOX | QUANTITY | PART NUMBER |

THIS DRAWING IS A CONTROLLED DOCUMENT.

DIMENSIONS:

mm



TOLERANCES UNLESS OTHERWISE SPECIFIED:

- 0 PLC ± -
- 1 PLC ± 0.3
- 2 PLC ± 0.2
- 3 PLC ± 0.15
- 4 PLC ± -
- ANGLES ± 3'

MATERIAL

FINISH

DWN

CHK

APVD

PRODUCT SPEC

APPLICATION SPEC

WEIGHT

CUSTOMER DRAWING



NAME

MODULAR JACK CONNECTOR
RJ45, SINGLE PORT, SIDE ENTRY, DIP TYPE

SIZE

CAGE CODE

DRAWING NO

RESTRICTED TO

A3 00779 C-1734320

SCALE

SHEET

6 OF 6

REV

B4