



**REED SWITCH DEVELOPMENTS CORP.**

2524 Norwood Court

Racine, WI 53403

Ph: (262)883-9060

[sales@reedswitchdevelopments.com](mailto:sales@reedswitchdevelopments.com)

**SPECIFICATION SHEET**

**2250-1901-100**

Alternate Part Number:

**3730-2250-1901-900-ND**

Active / Equivalent Part Numbers:

**2250-1901-900 - Magnetic Reed Sensor Only**

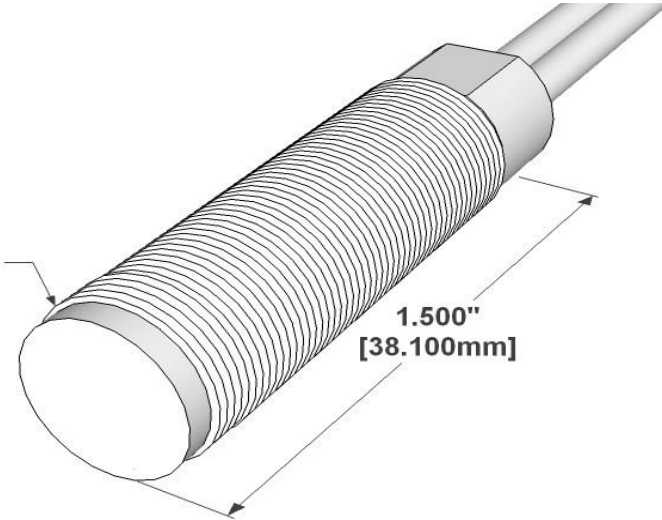
**3730-2250-1901-900-ND - Magnetic Reed Sensor Only**

Sensor (Reed) - Specifications		1901	
Physical	Configuration	SPST	
	Form	B	
	Contact Position	OFFSET	
	Glass L	14.00	mm
	Glass D	2.30	mm
	Total L*	55.00	mm
	Wire D	0.53	mm
	Gap Location		
	Mount Spec*	THRU	
	Contact Material	RHODIUM	
	Max Vibration Resistance	20	G
	Max Shock Resistance (11ms)	50	G
	Lead Tensile Strength	N/A	KG
Operating	Pull in (+/- 2AT)*	15-20	AT
	Drop out*	5	AT
	Operate Time	2.0	ms
	Bounce Time	0.60	ms
	Release Time	0.50	µs
	Resonant Frequency	N/A	Hz
	Max Operating Frequency	250	Hz
	Operating Temperature Range	-40 - 105	°C
	Storage Temperature	N/A	°C
	Electrical	DC Contact Rating	20
AC Contact Rating		20	VA
DC Switching Voltage		150	VDC
AC Switching Voltage		150	VAC
DC Switching Current		1.00	A
AC Switching Current		1.00	A
DC Max Carry Current		2.00	A
AC Max Carry Current		2.00	A
Min Breakdown Voltage		200	VDC
Max Initial Contact Resistance		150	mOhm
Typical Initial Contact Resistance		N/A	mOhm
Max Contact Capacitance		0.80	pF
Min Insulation Resistance		10 <sup>9</sup>	Ohm

\* Pre-processed, bare reed element

DISCLAIMER NOTICE: INFORMATION FURNISHED IS PROPRIETARY, AND IS BELIEVED TO BE ACCURATE AND RELIABLE, AND IS SUBJECT TO CHANGE WITHOUT NOTICE. IT SHALL BE THE RESPONSIBILITY OF THE BUYER TO ENSURE THAT THE GOODS ARE SUFFICIENT AND SUITABLE FOR THE PURPOSE OR PURPOSES INTENDED (WHETHER BY THE BUYER OR BY ANY THIRD PARTY) AND THAT THEIR CAPACITY AND PERFORMANCE IS NOT ADVERSELY AFFECTED BY ANY ITEMS USED IN THEIR INSTALLATION (WHERE RELEVANT) AND/OR IN CONNECTION WITH THEM.

**DIA 0.313" [7.950mm]  
5/16 - 24 THREAD**



All measurements are in Inches [millimeters]

**Sensor - Wire/Cable Characteristics (cont.)**

Type	Wire
Conductor Count	2
Length	6.0"/152.4mm
Colors	BLK, WHT
Insulation Material	PVC
Gauge	24 AWG
Stranded Copper	7 STR-TC
Maximum Temp	105°C

**Conductor Configuration**

Common (COM) - WHITE
Normally Closed (NC) - BLACK

For More Information Visit:

[www.reedswitchdevelopments.com](http://www.reedswitchdevelopments.com)

Or Call Us At:

262-883-9060

**Standard Sensor/Actuator - Min. Actuation Distance**

2250-4002-000	0.25"/6.4mm
---------------	-------------

**Assembly Certifications**

UL Recognized (File #: E102207)	Y
RoHS / Reach Compliant	Y
Conflict Free Material	Y

REV DATE: 05/16/2023

**WBE Certified - State of Wisconsin - MFR CAGE CODE: 32604**

[www.reedswitchdevelopments.com](http://www.reedswitchdevelopments.com)