

4

3

2

1

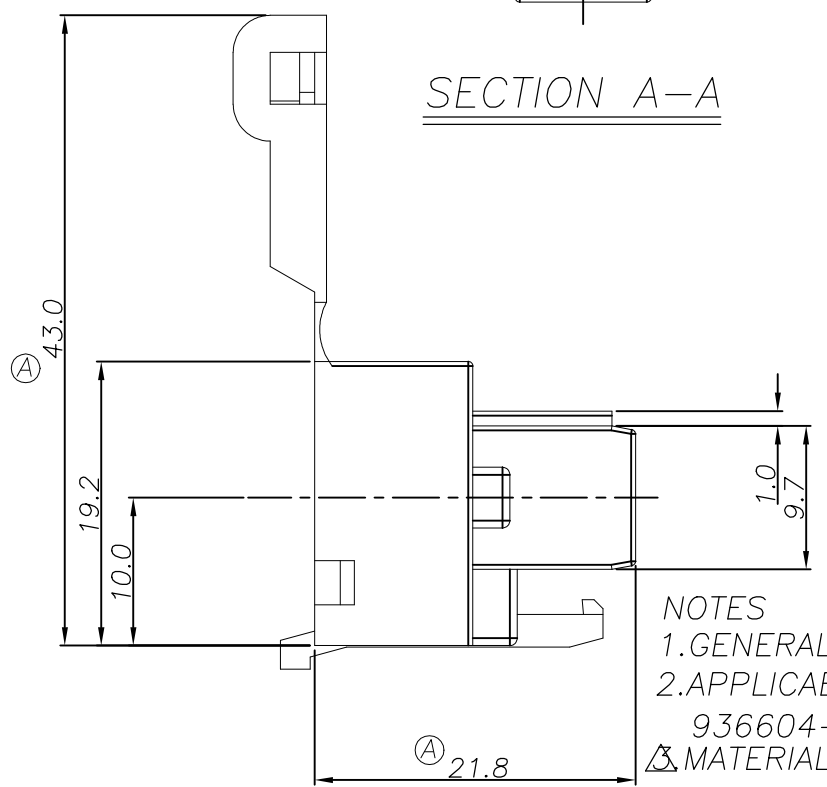
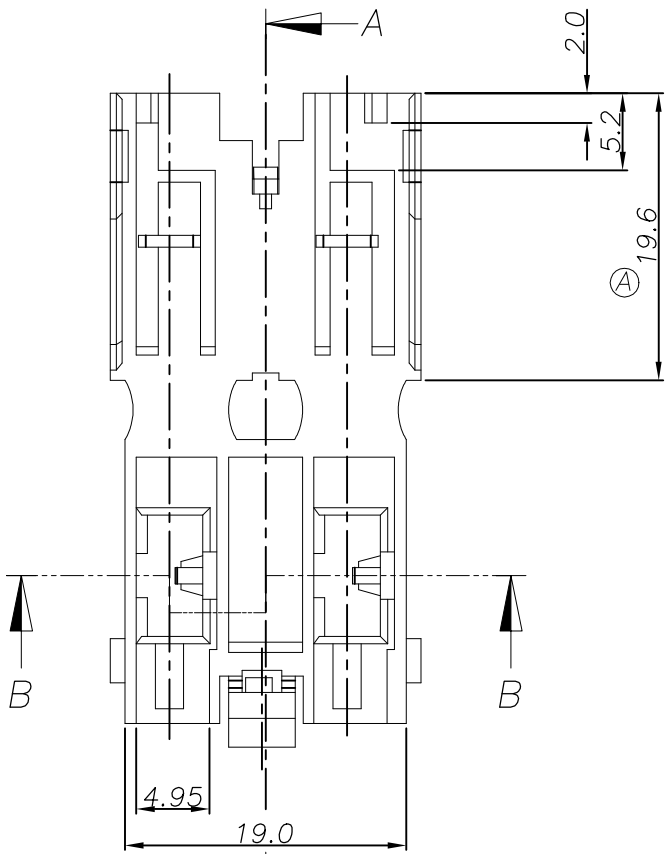
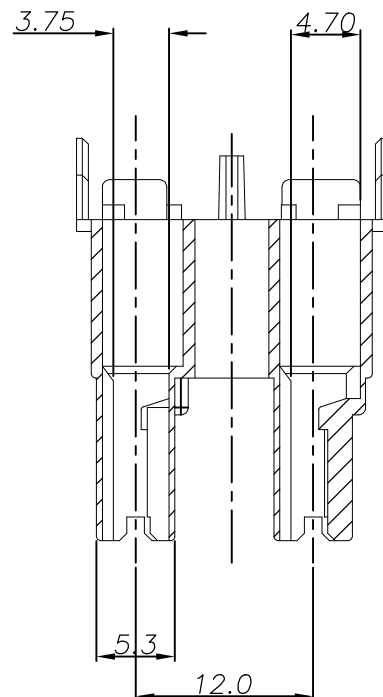
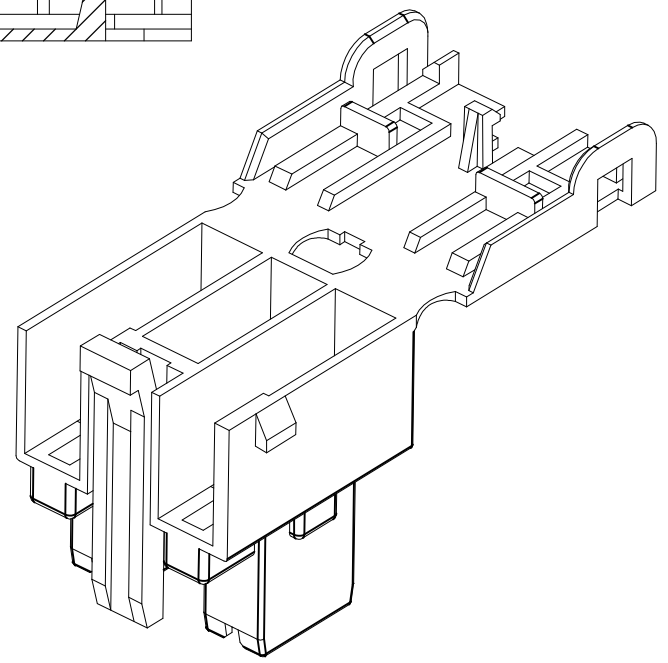
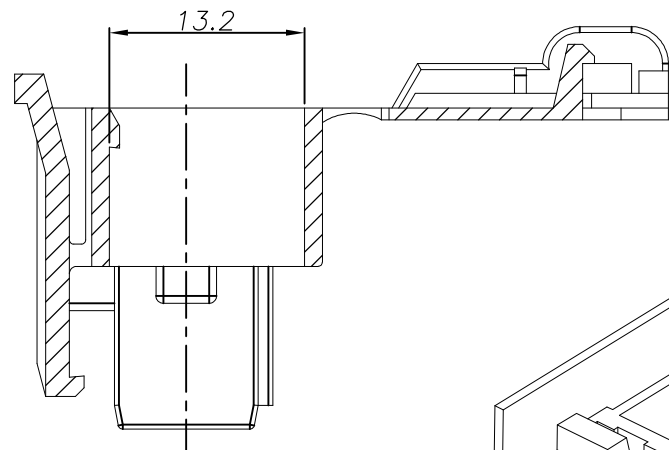
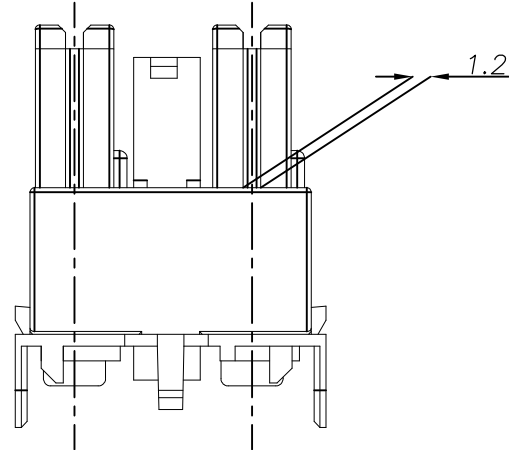
THIS DRAWING IS UNPUBLISHED.

RELEASED FOR PUBLICATION

© COPYRIGHT

BY TYCO ELECTRONICS CORPORATION. ALL RIGHTS RESERVED.

LOC	DIST	REVISIONS					
		P	LTR	DESCRIPTION	DATE	DWN	APVD
DS	-		A1	REVISED (ECR-18-017108)	22OCT.'18	BH	E.W
			A2	REVISED (ECR-19-006537)	24APR.'19	BH	E.W



NOTES
 1. GENERAL TOLERANCES : ±0.25, ±1
 2. APPLICABLE CONTACT P/N : 936603-1, 936604-1, 936605-1.
 3. MATERIAL : PA66, UL 94V-0, GWT 775°C, GWT 750°C

1-1743206-2	Ⓜ	BLACK
1-1743206-1	Ⓜ	NATURAL
Ⓜ 1743206-2	PA66, UL 94V-0	BLACK
Ⓜ 1743206-1	PA66, UL 94V-0	NATURAL
P/N	MATERIAL	COLOR

THIS DRAWING IS A CONTROLLED DOCUMENT FOR TYCO ELECTRONICS CORPORATION
 IT IS SUBJECT TO CHANGE AND THE CONTROLLING ENGINEERING ORGANIZATION
 SHOULD BE CONTACTED FOR THE LATEST REVISION.

DIMENSIONS: MM		TOLERANCES UNLESS OTHERWISE SPECIFIED:		DWN BH CHO	TE Connectivity
		0 PLC ± 1 PLC ± 2 PLC ± 3 PLC ± 4 PLC ± ANGLES ±		CHK BW KANG	
MATERIAL		FINISH		APVD JK SONG	NAME 250 FLAG POSITIVE LOCK 2P HSG(Pitch=12mm)
-		-		PRODUCT SPEC 108-61105	
				APPLICATION SPEC 114-61019	SIZE
				WEIGHT	CAGE CODE
				CUSTOMER DRAWING	DRAWING NO
					RESTRICTED TO
					-
					SCALE 2/1
					SHEET 1 OF 1
					REV A2



A3 00779 C- 1743206