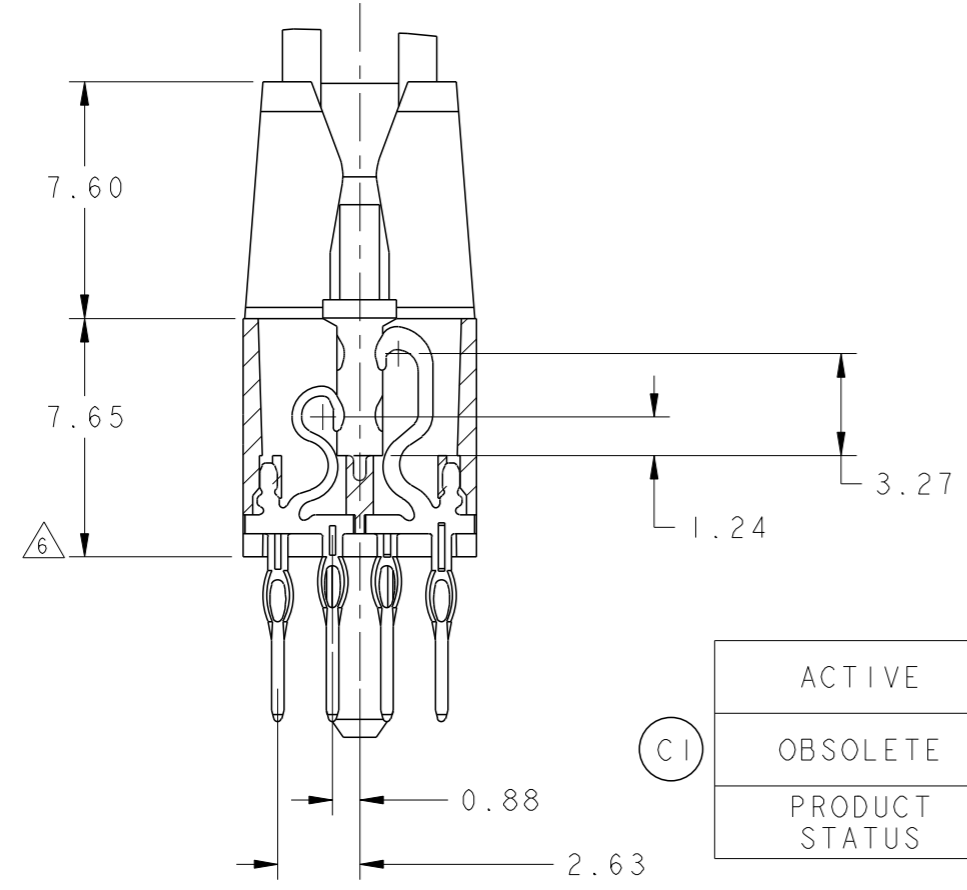
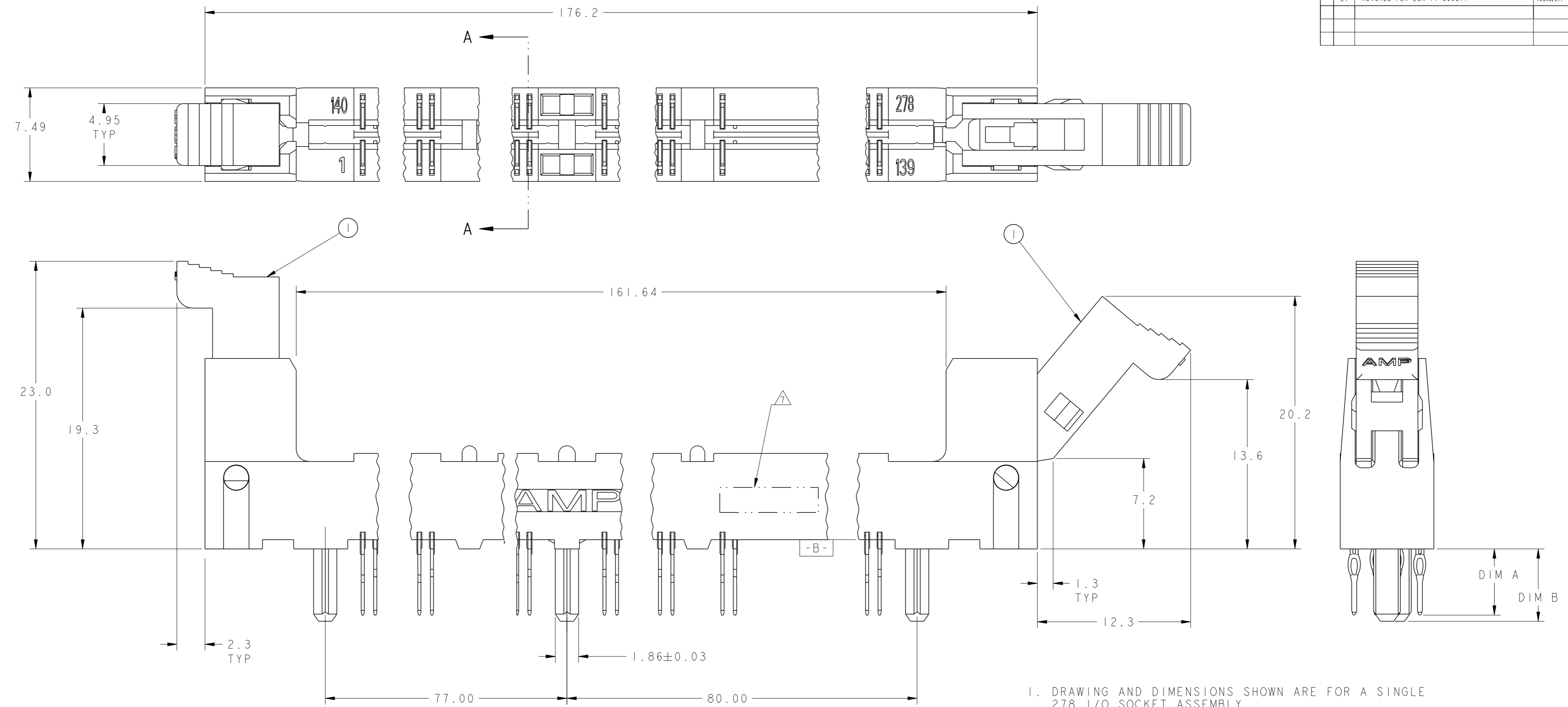


LOC		DIST		REVISONS			
GP	0	LT#	DESCRIPTION	DATE	DRN	APPR	
		C1	REVISED PER ECR-11-000517	10JAN2011	SW	CW	



ACTIVE	NATURAL	5.79	4.21	278	390350-2
OBSOLETE	BLACK	5.79	5.29	278	390350-1
PRODUCT STATUS	COLOR (1)	DIM_B	DIM_A	POS	PART NUMBER

- DRAWING AND DIMENSIONS SHOWN ARE FOR A SINGLE 278 I/O SOCKET ASSEMBLY.
- THE POST DIAMETER REFERENCE DIMENSIONS EXCLUDE THE POSTS' FLUTING FEATURES.

CONTACT PADS SHALL BE PLATED WITH 0.0008 [0.0003] MINIMUM THICK GOLD OVER 0.0038 [0.0015] MINIMUM THICK NICKEL.

MATERIAL:
 HOUSING- HIGH TEMPERATURE NYLON, BLACK.
 EXTRACTORS- HIGH TEMPERATURE NYLON, DARK BLUE, DARK GREEN.
 CONTACTS- PHOSPHOR BRONZE WITH 0.00076[0.00030] MIN THICK GOLD OVER 0.0038[0.00150] MIN THICK NICKEL IN CONTACT AREA AND 0.0038[0.00150] MIN THICK TIN-LEAD OVER 0.00127[0.00050] MIN THICK NICKEL ON SOLDER TAIL.

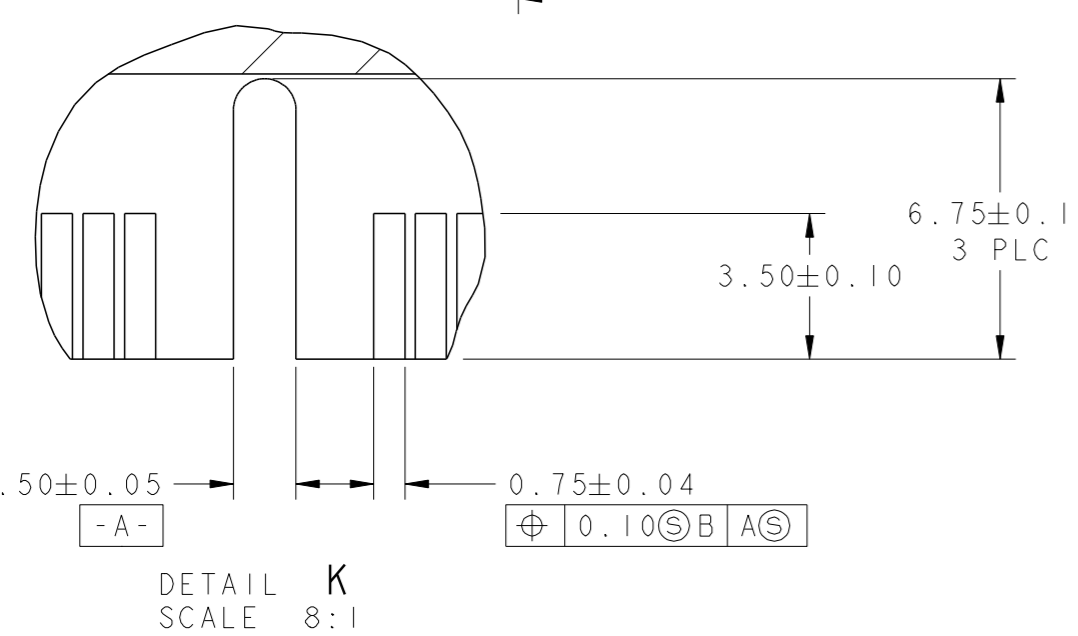
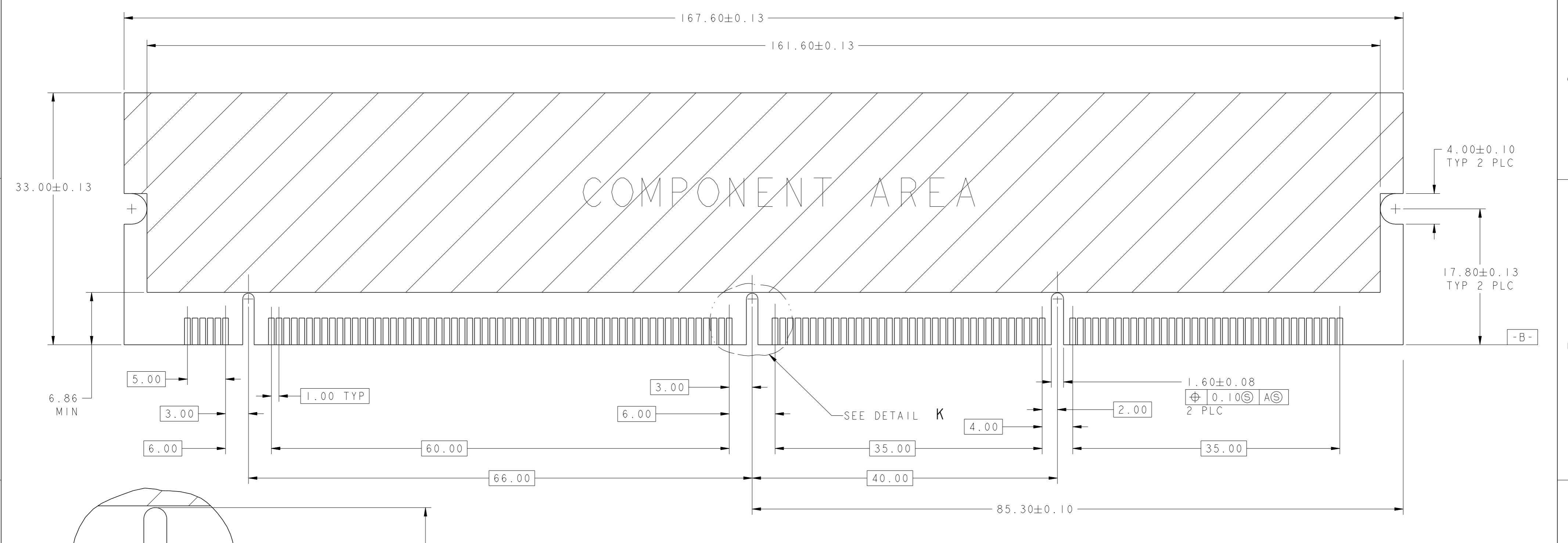
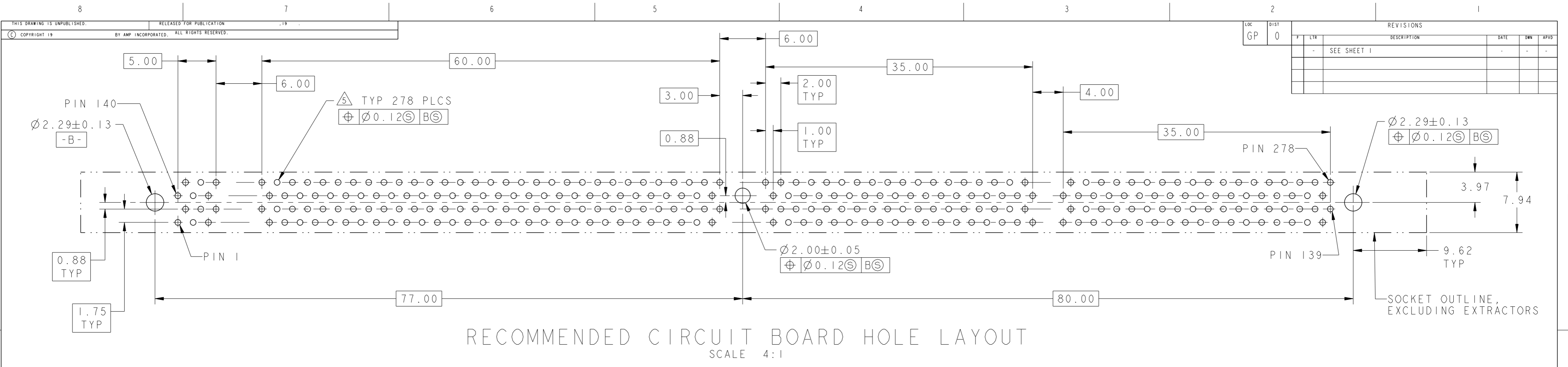
REFERENCE APPLICATION SPEC 114-13153 FOR RECOMMENDED PLATED THRU HOLE DIAMETER AND PLATING THICKNESS.

PCB SURFACE

DATE CODE LOCATED APPROX. AS SHOWN.

SECTION A-A
ROTATED 90° CW

<small>THIS DRAWING IS UNPUBLISHED. RELEASED FOR PUBLICATION BY AMP INCORPORATED. ALL RIGHTS RESERVED.</small> <small>IT IS SUBJECT TO CHANGE AND THE CONTROLLING ENGINEERING ORGANIZATION SHOULD BE CONTACTED FOR THE LATEST REVISION.</small>		DWN: SIWINSKI 12-NOV-99 CHK: SHIRLING 16-NOV-99 APFD: SIWINSKI 16-NOV-99	NAME: AMP Tyco Electronics Harrisburg, PA 17105-3608
DIMENSIONS: MM 	TOLERANCES UNLESS OTHERWISE SPECIFIED: 0 PLC ±.05 1 PLC ±0.30 2 PLC ±0.10 3 PLC ±0.01 4 PLC ±.05 ANGLES ±.5°	PRODUCT SPEC: - APPLICATION SPEC: - WEIGHT: - CUSTOMER DRAWING: -	SIZE: A1 CAGE CODE: 00779 DRAWING NO: 390350 SCALE: 6:1 SHEET 1 OF 2 REV: C1



<small>THIS DRAWING IS A CONTROLLED DOCUMENT FOR AMP INCORPORATED. IT IS SUBJECT TO CHANGE AND THE CONTROLLING ENGINEERING ORGANIZATION SHOULD BE CONTACTED FOR THE LATEST REVISION.</small>		OWN: SHIWLINSKI 12-NOV-99 CHK: SHIRLING 16-NOV-99 APD: SHIWLINSKI 16-NOV-99	NAME: SOCKET ASSEMBLY, 16 BYTE DIMM, 1mm, 278 PRESS FIT SIZE: A1 CAGE CODE: 00779 DRAWING NO: 390350
DIMENSIONS: MM TOLERANCES UNLESS OTHERWISE SPECIFIED: 0 PLC ±.30 1 PLC ±0.30 2 PLC ±0.10 3 PLC ±0.01 4 PLC ±.	FINISH: 4	MATERIAL:	WEIGHT:
CUSTOMER DRAWING		SCALE: 6:1	SHEET 2 OF 2