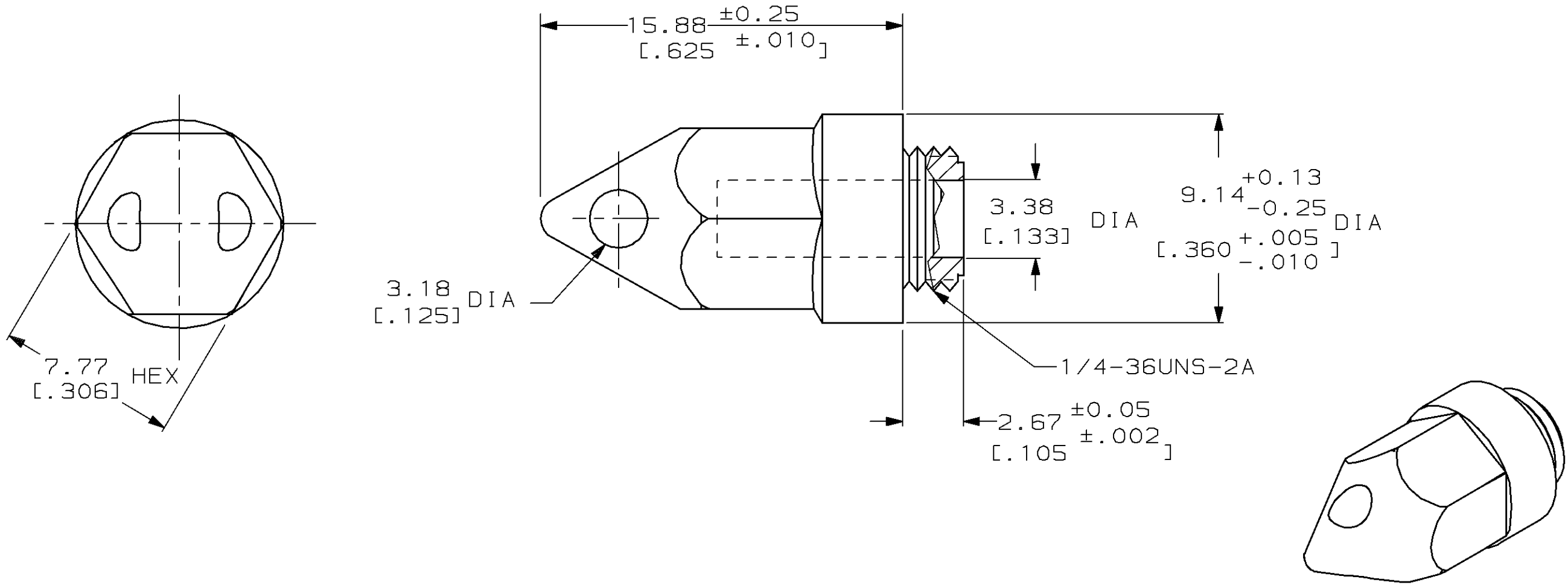


THIS DRAWING IS UNPUBLISHED. RELEASED FOR PUBLICATION, 19  
© COPYRIGHT 19 BY AMP INCORPORATED. ALL INTERNATIONAL RIGHTS RESERVED.

LOC	DIST	P	F	ZONE	LTR	DESCRIPTION	DATE	APPD
CE	16				A	REV PER 0A00-0121-95	3-20-95	DDE

- 1. DIMENSIONS IN [ ] ARE IN INCHES
- 2. BULK PACKAGED, 100 PCS



501350-2  
PART NO

DO NOT SCALE PRINT. UNLESS SPECIFIED DIMENSIONS IN INCHES TOLERANCES ON: 2 PLC DEC ± 0.13 [ .005 ] 3 PLC DEC ± - ANGLES ± -	DR 8-1-86 J ZEIDERS	<b>AMP</b> AMP INCORPORATED Harrisburg, Pa. 17105	
	CHK 8-1-86 J GERACE		
	MATERIAL THERMOPLASTIC	APPD 8-1-86 M BEARD	NAME BULLET, FSMA OPTIMATE
	FINISH -	APPD 8-1-86 K MONROE PRODUCT SPEC -	APPLICATION SPEC -
	WEIGHT -	SCALE 5:1 SHEET 1 OF 1	