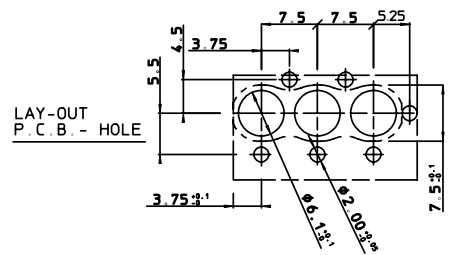
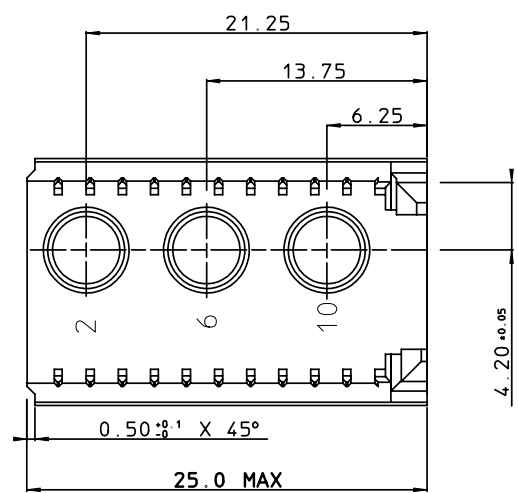
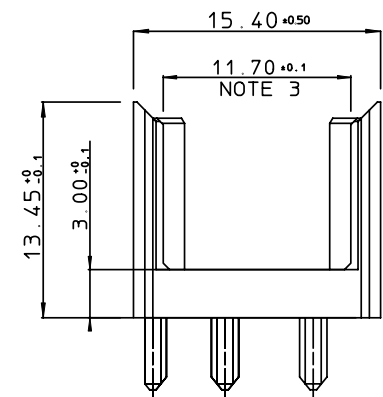
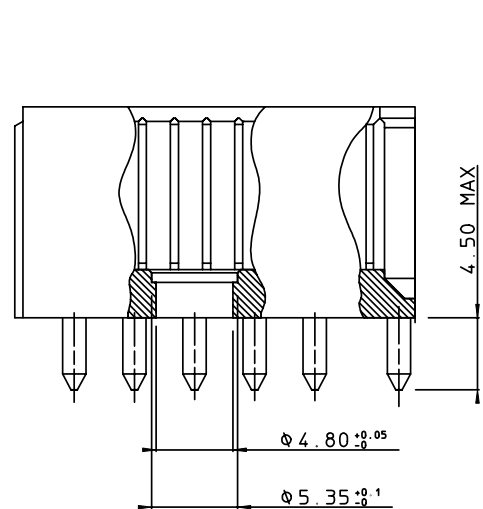


GEN. ST.	01	02	03	04	05	06	07	08	0D	50	60	70	80	90																	
INT. ST.	10	11	12	13	14	18	20	31	32	33	34	38	39	40	42	43	44	45	46	48	56	70	72	73	75	76	81	82	83	84	88

REV.	DATE	DESCRIPTION	BY	C'K'D'
E	2009-06-03	109-0094	AB	BKP
C	2006-08-10	106-0151	ALEX B	BKP
D	2007-08-31	107-0109	ALEX B	BKP


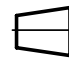



LEADFREE INDICATOR : LF = LEAD FREE
(DIGIT 9 & 10)

HM2P12P1--

NOTES

1. THIS PRODUCT IS CSA APPROVED.
THIS PRODUCT IS UL RECOGNIZED.
2. MATERIAL : HIGH TEMPERATURE POLYMER.
3. MEASURED AT THE BOTTOM.
4. THE PRODUCT (LF) MEETS EUROPEAN UNION DIRECTIVES AND OTHER COUNTRY REGULATIONS AS DESCRIBED IN GS-22-008

MALE BODY FOR 3 SPECIAL CONTACTS (WIDE VERSION)				
1DEC ± 0,2	APPR.	DATE	SIGN.	MILLIPACS 2 / TYPE N
2DEC ± 0,1	DRAFT	1993-08-25	W.Panis	CAT. No. HM2P12P1--
ANGLES ± 1°	CHECKED			
WE RESERVE THE RIGHT TO CHANGE DIMENSIONS OR REQUIREMENTS WITHOUT PRIOR NOTICE.	PROD. MGR.			 www.fciconnect.com
	PR. ENG. MGR.			
ALL DIMENSIONS IN MM	PR. MGT. MGR.			SCALE 3 / 1
 		REFERENCES		BS,C ,201632,038 E

THIS IS OUR EXCLUSIVE PROPERTY. IT IS NOT TO BE COPIED, REPRINTED OR DISCLOSED TO A THIRD PARTY, NOR USED FOR MANUFACTURING WITHOUT OUR WRITTEN CONSENT, AND HAS TO BE RETURNED TO US IN CASE OF NO USAGE

DIT IS ONZE EIGENDOM EN MAG NIET VERMEERD, HERDRUKT, OVERGEMAAKT AAN DERDEN, NOCH VOOR FABRIKATIE GEBRUIKT WORDEN, ZONDER ONZE SCHRIFTELIJKE TOELATING. BIJ NIET GEBRUIK IS TERUGZENDING VERPLICHT.