



Tango 14

Low Profile Quad Band GSM & 3G Screw Mount Antenna



Key Features

- Low Profile Design, 18mm
- Quad Band GSM/GPRS & 3G
- Screw/Through-Hole Mount Antenna
- 3.68 dBi Peak Gain
- IP65 Rated

General Description

The TANGO 14 is a low profile, robust and vandal resistant antenna suitable for equipment like vending machines.

It comes with a double sided sticky pad shaped to the antenna and forms a good seal between antenna and equipment it is mounted to.

The Tango 14 is designed for covert applications where the user wishes to keep their antenna relatively out of sight. Operating on GSM & 3G, the Tango 14 works well with various kinds of telemetry equipment, such as Siretta's Zeta and the Zoom terminal series.

The antenna is available with different cable lengths and connector types for volume orders.

Additional Considerations

- Compatible worldwide with any cellular GSM application
- Perfect for covert applications
- Vandal resistant





Tango 14

Low Profile Quad Band GSM & 3G Screw Mount Antenna

Electrical Specifications

Temperature range:	-40 to +85°C	
Impedance:	50ohm	
VSWR:	<2.0:1	
Peak Gain	3.68 dBi	
Operating frequency:	GSM/GPRS	890-960 /1710-1880MHz
	3G	2100MHz
Polarisation:	GSM vertical	

Gain

GSM

850MHz:	3.68dBi
900MHz:	2.68dBi
1800MHz:	-1.09dBi
1900MHz:	-2.44dBi

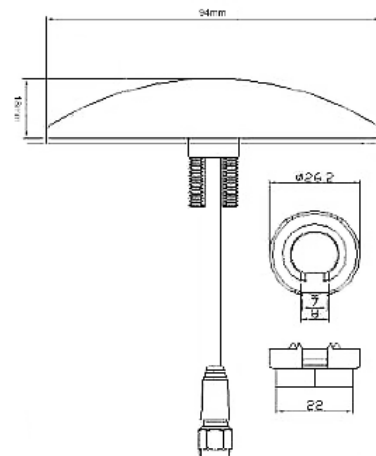
3G

2100MHz:	-5.05dBi
----------	----------

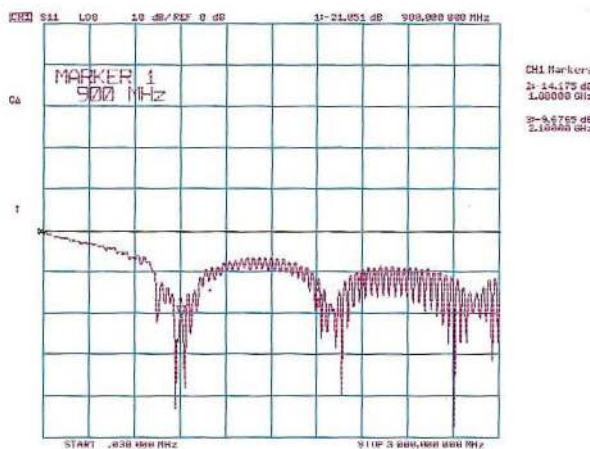
Mechanical Specifications

Dimensions:	ø94 x18mm
Cable:	RG174

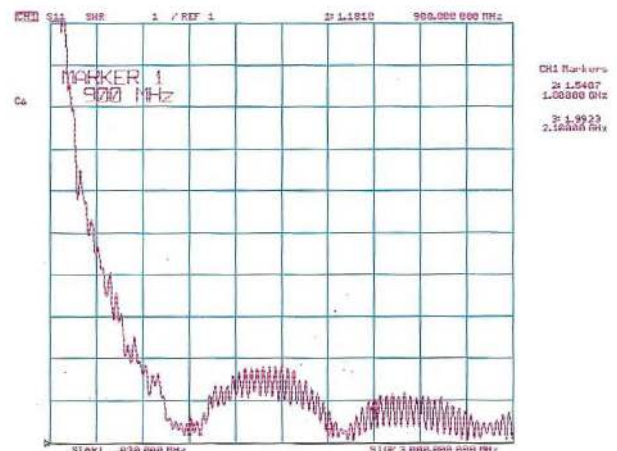
Dimensions



Return Loss



VSWR

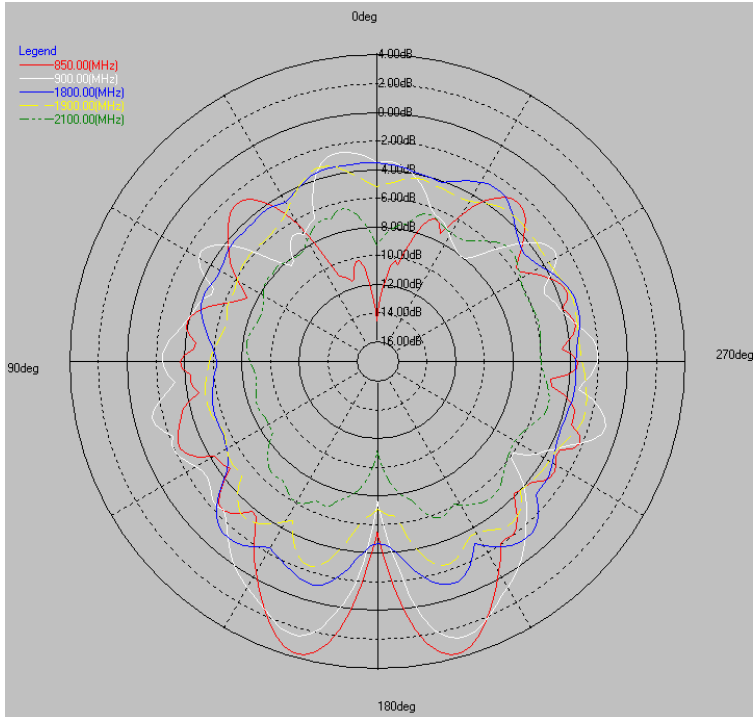




Tango 14

Low Profile Quad Band GSM & 3G Screw Mount Antenna

Radiation Plots



UL Tested (Basingstoke, UK)
Part: TANGO14

Ordering Details

Part Number	Description
TANGO14/1M/SMAM/S/S/22	Quad Band GSM & 3G Bolt Through Antenna, 1M Cable, SMA Male Connector
TANGO14/3M/SMAM/S/S/22	Quad Band GSM & 3G Bolt Through Antenna, 3M Cable, SMA Male Connector