



1-18 GHz

Broadband High Directivity Couplers

- Broadband Frequency Coverage from 1 to 18 GHz in a Single Unit
- High Directivity
- Increased Dynamic Range
- Flat Frequency Response

Specifications

Type N and 7 mm, 1 to 18 GHz, 5 W

FREQUENCY RANGE (GHz)	MODEL	NOMINAL COUPLING* (dB)	DIRECTIVITY (dB min.)		VSWR		FREQUENCY SENSITIVITY (dB max.)		CONNECTORS		TRUE INSERTION LOSS (dB max.)	OPTIONS AVAILABLE	WEIGHT (max.)	
			1-18 GHz	1-8 GHz	8-18 GHz	PRIMARY LINE (max.)	SECONDARY LINE (max.)	1-1.5 GHz	1.5-18 GHz	PRIMARY LINE INPUT			PRIMARY LINE OUTPUT	oz.
1-18	3292-1	13 ±1	27	25	1.35	1.40	±2	±1.5	Type N Male	Type N Female	1.0	-02	12	340
	3292-2	13 ±1	27	25	1.35	1.40	±2	±1.5	Type N Female	Type N Male	1.0	-02	12	340
	5292	13 ±1	28	26	1.35	1.40	±2	±1.5	Precision 7 mm	Precision 7 mm	1.0	-01 -02	12	340

* Nominal Coupling is defined as average coupling over the designated frequency range

$$\left(\frac{C_{\max.} + C_{\min.}}{2} \right)$$

Refer to Typical Coupling Curve on page 100 for 1-1.5 GHz.

NOTES:

Standard Version (all models) has N Female, Coupled-Output Port.

All units are available on a Custom-Order basis. Minimum quantities may apply.

OPTIONS:

-01 Precision Stainless Steel Type N Female Connector on the secondary line (Example: 3292-1-01).

-02 Precision Stainless Steel SMA Female Connector on the secondary line (Example: 3292-1-02).

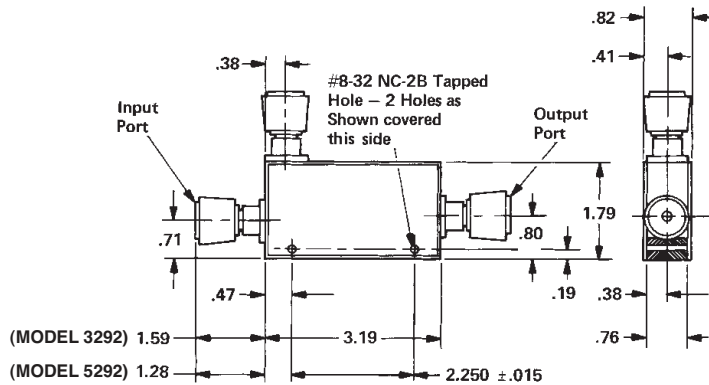
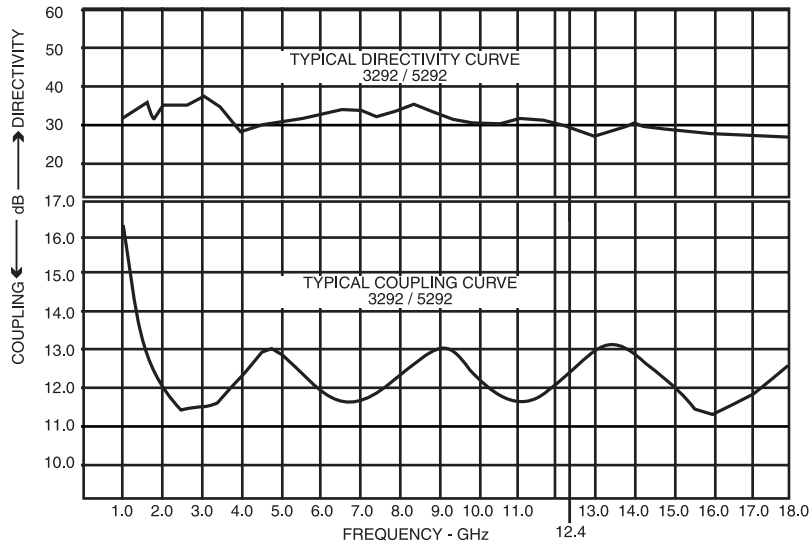
POWER RATING:

5 W average, 100 W peak



Couplers

Outline Drawings



MODELS 3292, 5292

Dimensions in inches, unless otherwise specified.