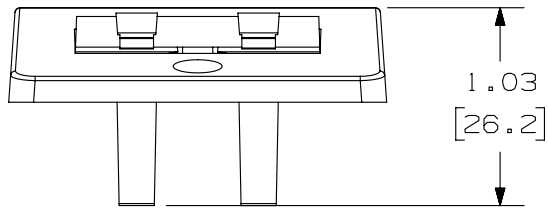
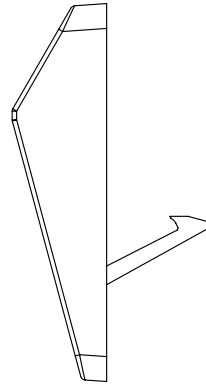
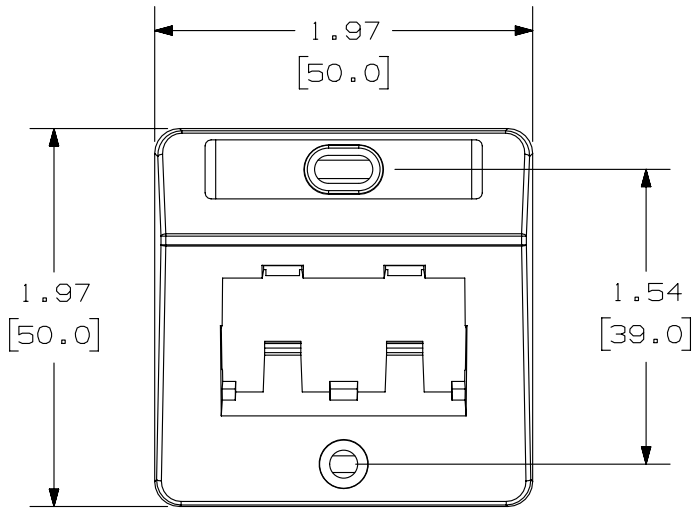


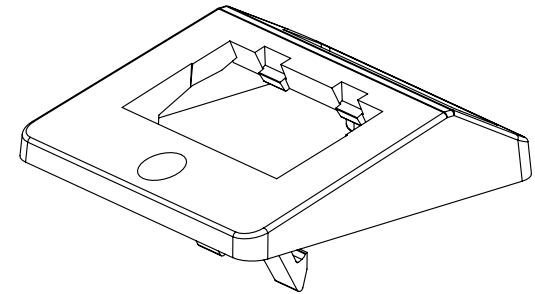
THIS COPY IS PROVIDED ON A RESTRICTED BASIS AND IS NOT TO BE USED IN ANY WAY DETRIMENTAL TO THE INTERESTS OF PANDUIT CORP.



PANDUIT P/N	WEIGHT
CHES2**Y	.76 LB/10 PCS (344.7g/10 PCS)

NOTES:

- SEE CURRENT CATALOG FOR ADDITIONAL PART NUMBER SUFFIXES TO INDICATE COLOR AND OR PACKAGE QUANTITY.
- SEE CATALOG FOR COMPLETE LIST OF PARTS APPLICABLE FOR USE WITH THIS PART.
- PART INCLUDES:
 - 1- FACEPLATE
 - 1- LABEL
 - 1- LABEL COVER
 - 2- MOUNTING SCREW
 - 1- SUPPORT RING
- DIMENSIONS IN [] ARE IN METRIC.



PART NUMBER		CHES2**Y	
TITLE			
MINI-COM 2 POSITION SLOPED 50mm X 50mm FACEPLATE			
CUSTOMER DRAWING			
ITEM REVISION NAME		M00764BA/03	
DATASET FILE NAME		M00764BA_DC/03B	
UNLESS OTHERWISE SPECIFIED, DIMENSIONAL TOLERANCES ARE: IN [mm]		MATERIAL:	
.x ± .xx ± .03 [.8]		ABS	
.xxx ± .010 [.3]		DRAWING NUMBER:	
ANGLES ±		00764-07	
THIRD ANGLE PROJECTION		SHT 1 OF 1	
DRAWN BY	DATE	CHK	SCALE
JSP	5-4-00	SEZ	NONE
REV	DATE	BY	CHK
1	4/23/14	JSP	SEZ
R	5-4-00	JSP	SEZ
APR	DESCRIPTION		ECN
	A. REVISED DRAWING TITLE BLOCK.		00764-07
	RELEASED TO PRODUCTION		00764-07

D10100DA/14