



circuit breaker 3VA6 UL frame 400 breaking capacity class M 35kA @ 480 V 3-pole, line protection ETU850, LSI, $I_n=250A$ overload protection $I_r=100A$...250A short-circuit protection $I_{sd}=0.6..10x I_n$, $I_i=1.5..12x I_n$ N conductor protection opt. w. ext. CT; up to 160% cable connection on both sides

Model	
product brand name	SENTRON
product designation	Molded-case circuit breaker
product designation / according to UL file	MJAE
Product version	System protection
design of the load switch / acc. to UL 489 / Heating, Air Conditioning, and Refrigeration circuit breaker (HACR Type)	Yes
design of the overcurrent release	ETU850
protection function of the overcurrent release	LSI
number of poles	3
General technical data	
rated insulation voltage U_i	800 V
power loss [W] / maximum	27 W
Active power loss / for rated value of the current / at AC / in hot operating state / per pole	9 W
mechanical service life (switching cycles) / typical	20 000
Electrical endurance (switching cycles) / at AC-1 / at 380/415 V 50/60 Hz	6 000
Electrical endurance (switching cycles) / at AC-1 / at 690 V 50/60 Hz	4 200
electrical endurance (switching cycles) / at 480 V	6 000
electrical endurance (switching cycles) / at 600 V	4 200
Neutral conductors / upgradeable/retrofitable	Yes
ground-fault monitoring version	Without
product function	
• communication function	Yes
• other measurement function	Yes
Net Weight	5,196 kg
Current	
marking / acc. to UL 489 / 100%-rated breaker	No
operational current	
• at 40 °C	250 A
• at 45 °C	250 A
• at 50 °C	250 A
• at 55 °C	250 A
• at 60 °C	250 A
• at 65 °C	250 A
• at 70 °C	250 A
Switching capacity according to IEC 60947	

switching capacity class of the circuit breaker	M		
breaking capacity maximum short-circuit current (I _{cu})			
• at 240 V	85 kA		
• at 415 V	55 kA		
• at 690 V	5 kA		
breaking capacity operating short-circuit current (I _{cs})			
• at 240 V	85 kA		
• at 415 V	55 kA		
• at 690 V	5 kA		
short-circuit current making capacity (I _{cm})			
• at 240 V	187 kA		
• at 415 V	121 kA		
• at 690 V	7.5 kA		
Switching capacity according to UL 489			
breaking capacity current			
• at 240 V	100 kA		
• at 480 V	35 kA		
• at 600 V	18 kA		
Adjustable parameters			
Adjustable response value current / I _g min.	0.5 s		
Adjustable response value current / I _g min.	25 s		
Adjustable response value current / I _g min.	0.5 s		
Adjustable response value current / I _i min.	375 A		
Adjustable response value current / I _i max.	3 000 A		
Ground fault protection / tripping switchable / I _{2t} =ON/OFF	No		
Mechanical Design			
height [in]	9.76 in		
Height	248 mm		
width [in]	5.43 in		
Width	138 mm		
depth [in]	4.33 in		
depth	110 mm		
Connections			
arrangement of electrical connectors / for main current circuit	Front connection		
Type of connectable conductor cross-section, round conductor terminal, stranded	1 x (6 AWG - 350 kcmil)		
Auxiliary circuit			
product component			
• undervoltage release	No		
• voltage trigger	No		
• trip indicator	No		
number of CO contacts / for auxiliary contacts	0		
Accessories			
product extension / optional / motor drive	Yes		
Environmental conditions			
protection class IP / on the front	IP40		
ambient temperature			
• during operation / minimum	-25 °C		
• during operation / maximum	70 °C		
• during storage / minimum	-40 °C		
• during storage / maximum	80 °C		
Certificates			
reference code / acc. to IEC 81346-2	Q		
certificate of suitability / as approval for NAVAL (no combat vessels) / supplement SB	Yes		
General Product Approval	EMC	Declaration of Conformity	other



[UK Declaration of Conformity](#)

[Miscellaneous](#)

Further information

Information- and Downloadcenter (Catalogs, Brochures,...)

<http://www.siemens.com/lowvoltage/catalog>

Industry Mall (Online ordering system)

<https://mall.industry.siemens.com/mall/en/en/Catalog/product?mfb=3VA6325-5KP36-0AA0>

Service&Support (Manuals, Certificates, Characteristics, FAQs,...)

<https://support.industry.siemens.com/cs/ww/en/ps/3VA6325-5KP36-0AA0>

Image database (product images, 2D dimension drawings, 3D models, device circuit diagrams, ...)

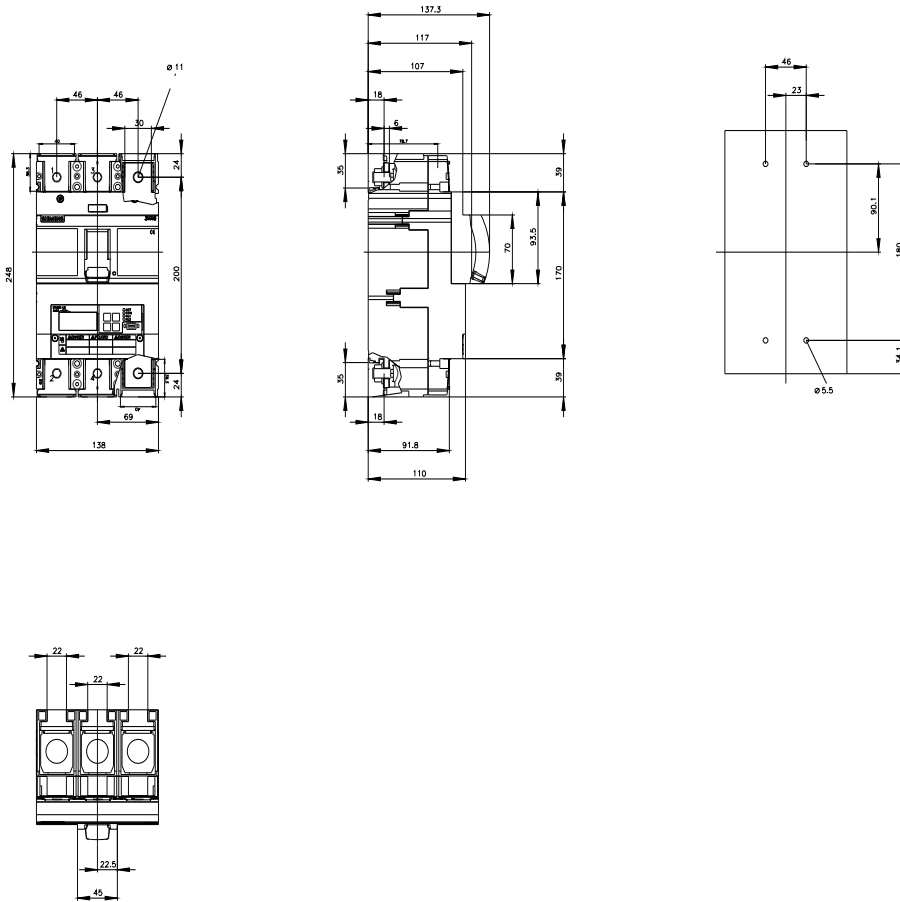
http://www.automation.siemens.com/bilddb/cax_en.aspx?mfb=3VA6325-5KP36-0AA0

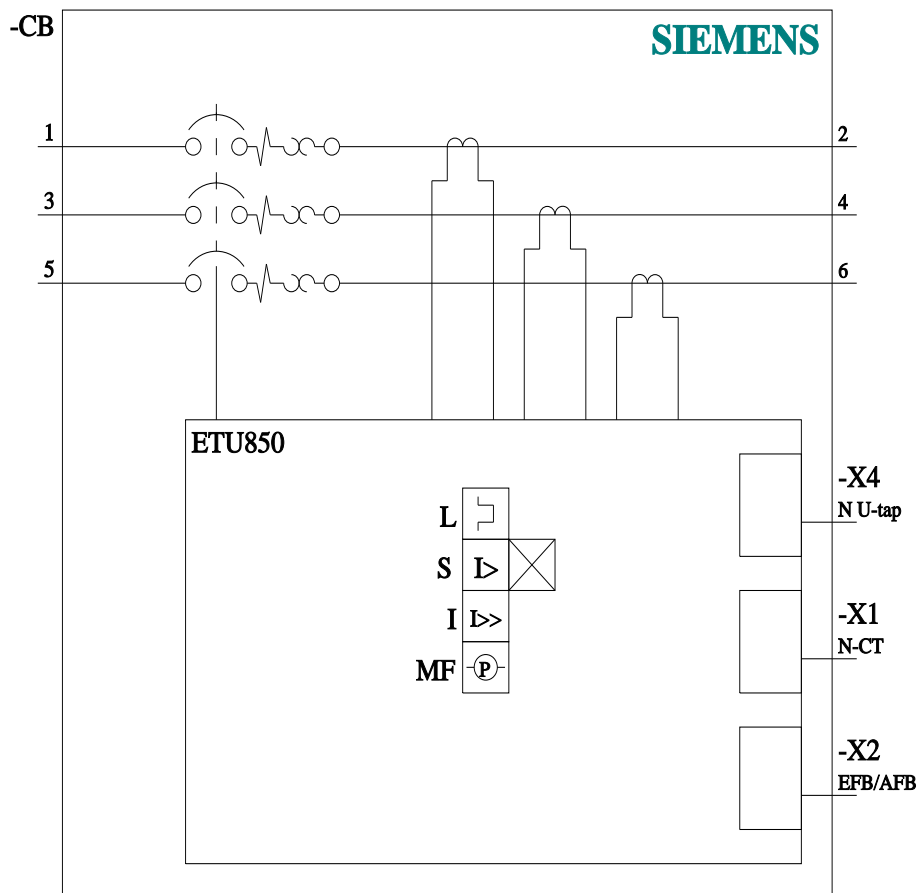
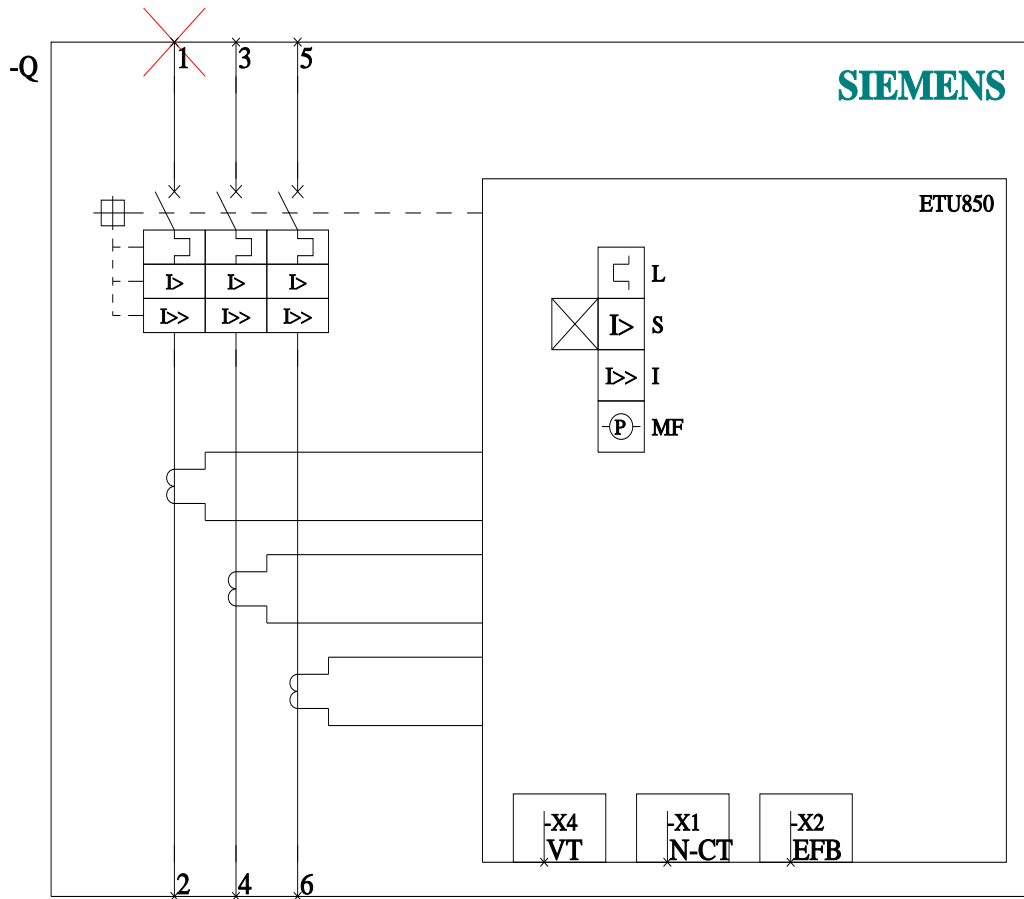
CAX-Online-Generator

<http://www.siemens.com/cax>

Tender specifications

<http://www.siemens.com/specifications>





last modified:

11/26/2021

