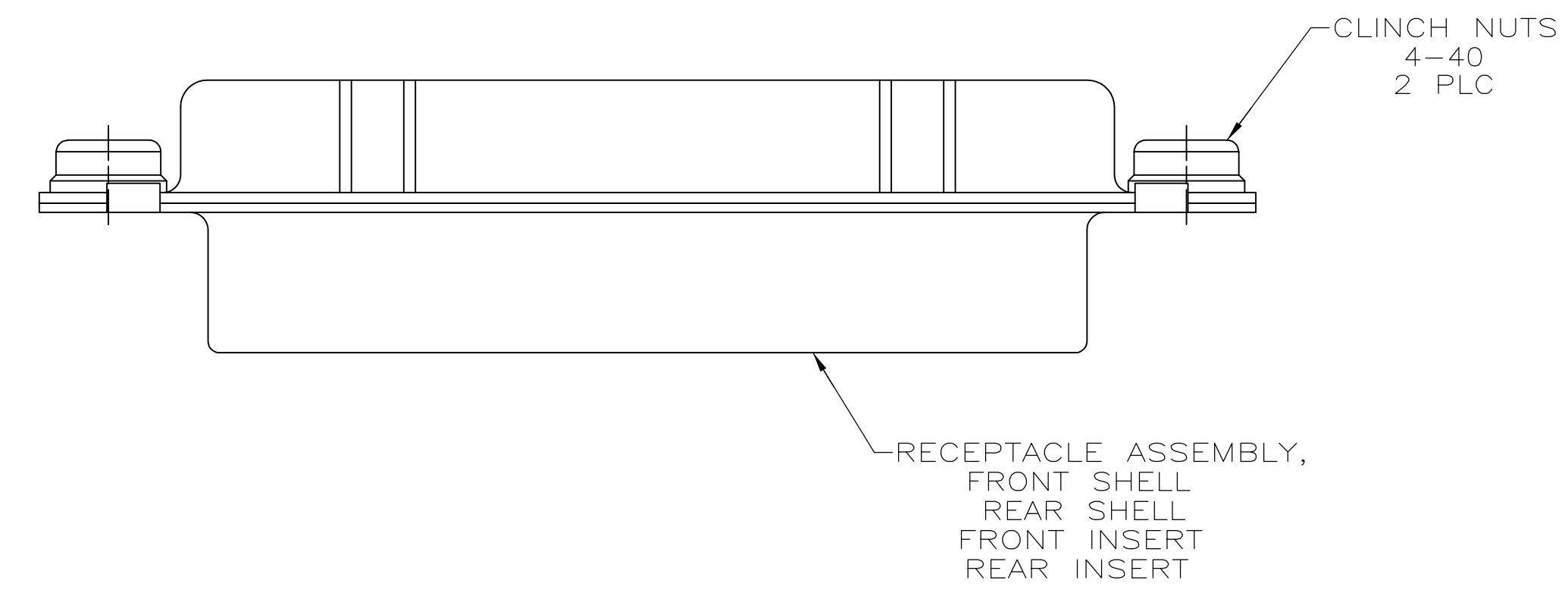
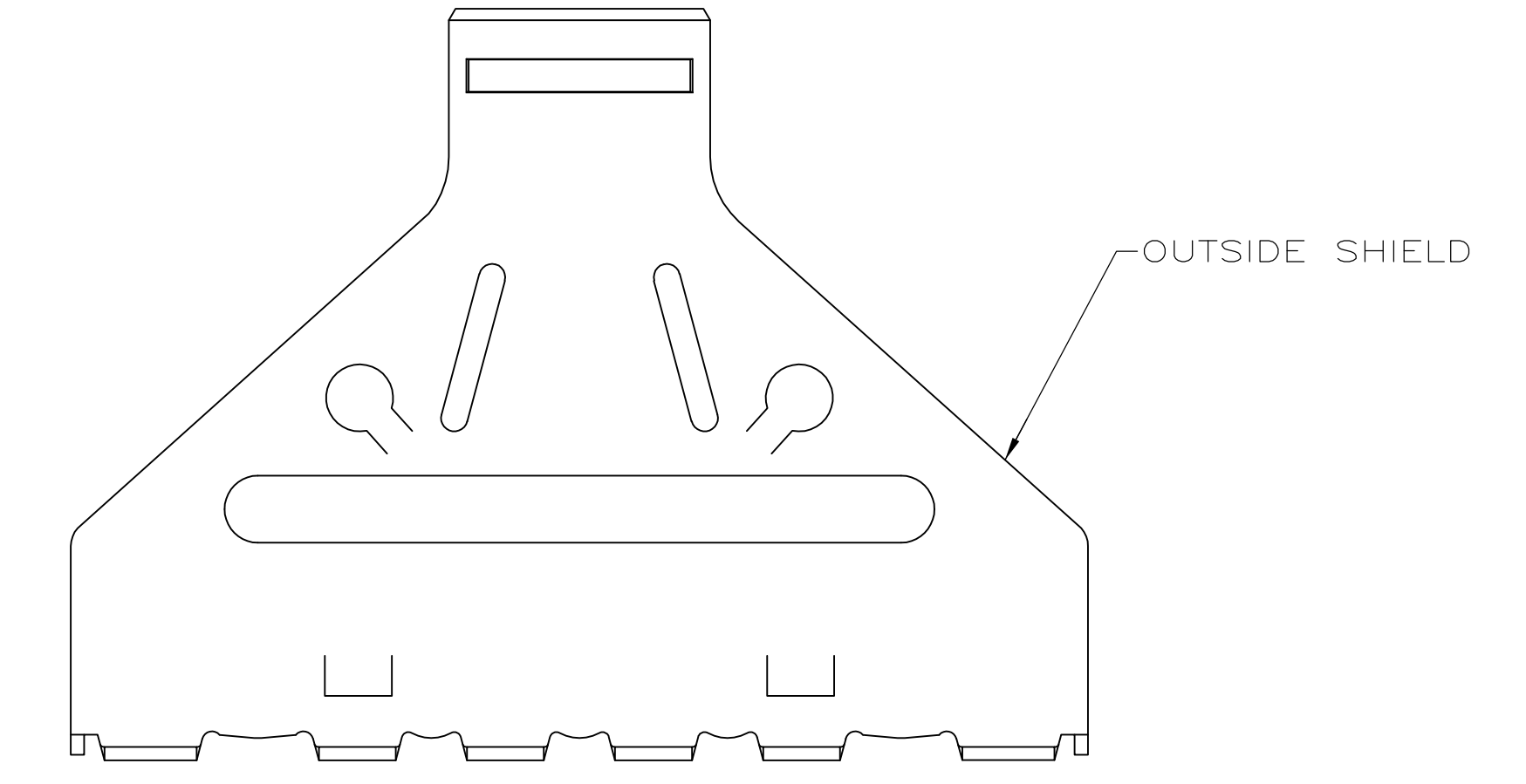
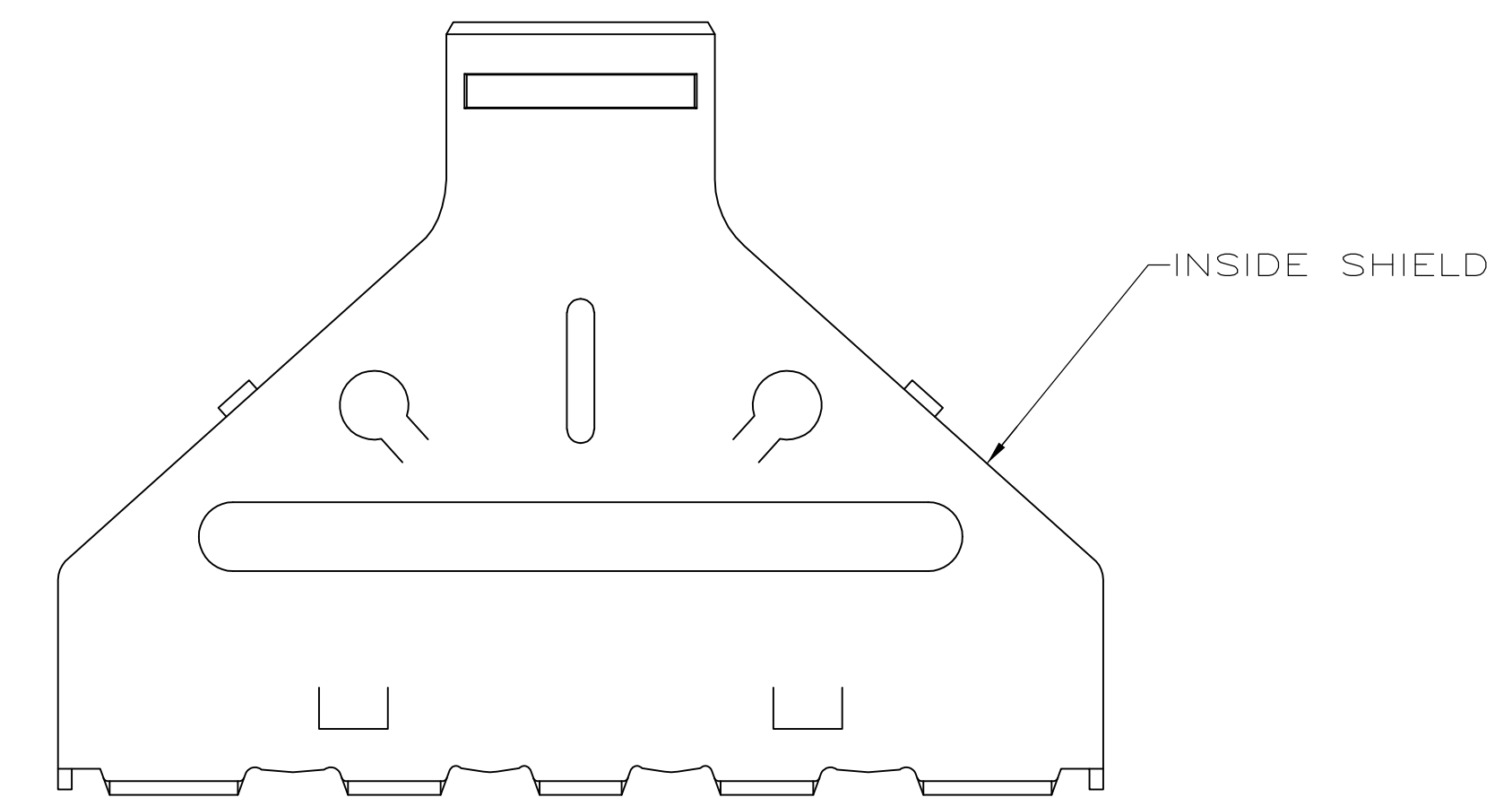
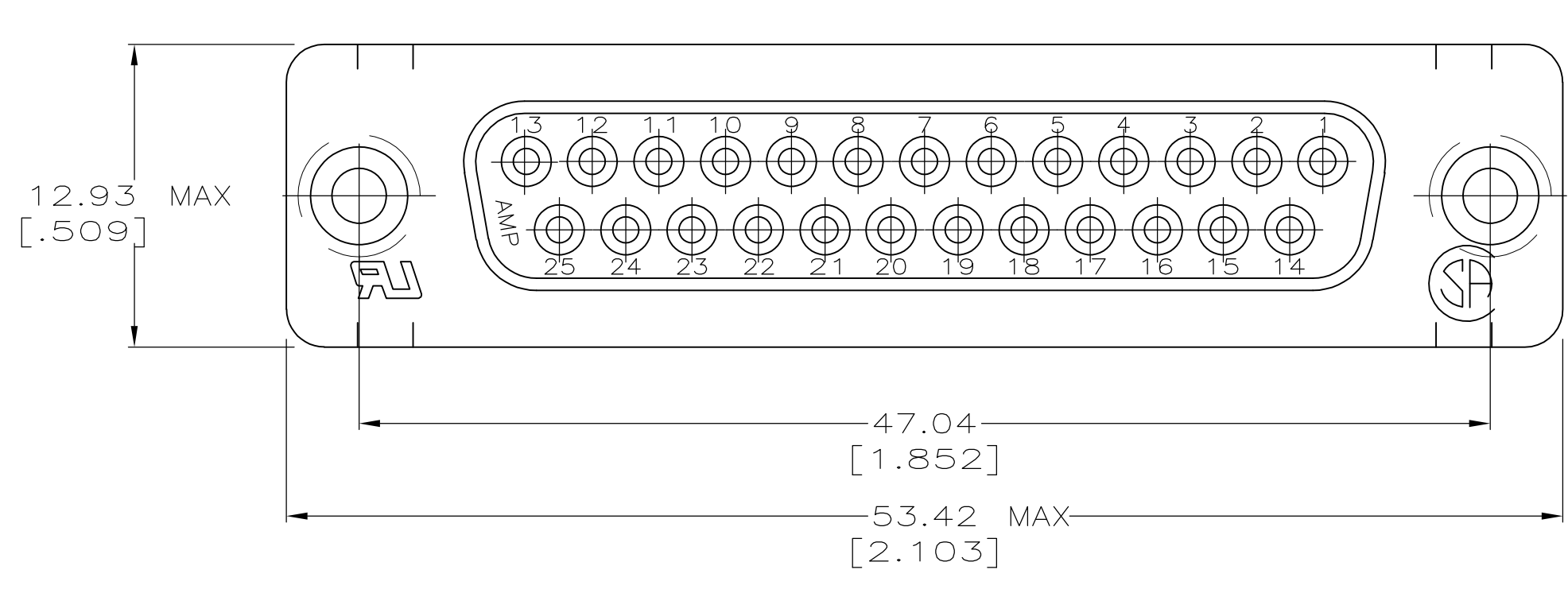


- 1 RECEPTACLE ACCEPTS SIZE 20 SOCKET CONTACTS. CONTACTS MUST BE ORDERED SEPARATELY. ASSEMBLY MATES WITH ANY 25 POSN PLUG IN AMPLIMITE® SERIES.
- 2 GLASS-FILLED PBT OR GLASS-FILLED NYLON, UL94V-0 RATED. COLOR: BLACK
- 3 CARBON STEEL PER ASTM A 109.
- 4 5.08µm [.000200] MIN TIN OVER 2.54µm [.000100] MIN COPPER.
- 5 ZINC PLATED.
- 6 EACH PART INDIVIDUALLY BULK PACKED.



1658662-1
PART NUMBER

THIS DRAWING IS A CONTROLLED DOCUMENT.		DIN J. REITZEL 31JUL03	TE Connectivity
DIMENSIONS: mm [INCHES]		CHK S. BOLASH 31JUL03	
TOLERANCES UNLESS OTHERWISE SPECIFIED:		APPD M. WALMSLEY 31JUL03	NAME
0 PLC ± -		PRODUCT SPEC	RECEPTACLE KIT, SIZE 3, 25 POSN, WITH CLINCH NUTS, SHIELDING HARDWARE, AMPLIMITE™ HDP-20
1 PLC ± -		APPLICATION SPEC	108-40030
2 PLC ± ± 0.13[.005]		SIZE	114-40030
3 PLC ± -		WEIGHT	-
4 PLC ± ± 2°		RESTRICTED TO	-
ANGLES		SCALE	2:1
MATERIAL	FINISH	WEIGHT	-
INSERTS: Δ	SHELLS & SHIELDS: Δ	CUSTOMER DRAWING	SCALE 2:1 SHEET 1 OF 1 REV B
SHELLS & SHIELDS: Δ	CLINCH NUTS: Δ		