



ANATECH ELECTRONICS INC
RF & Microwave Filters & Products

1525-1559.5/1626-1660.5 MHz

Ceramic Duplexer

Part Number: AM1542-1643D1115



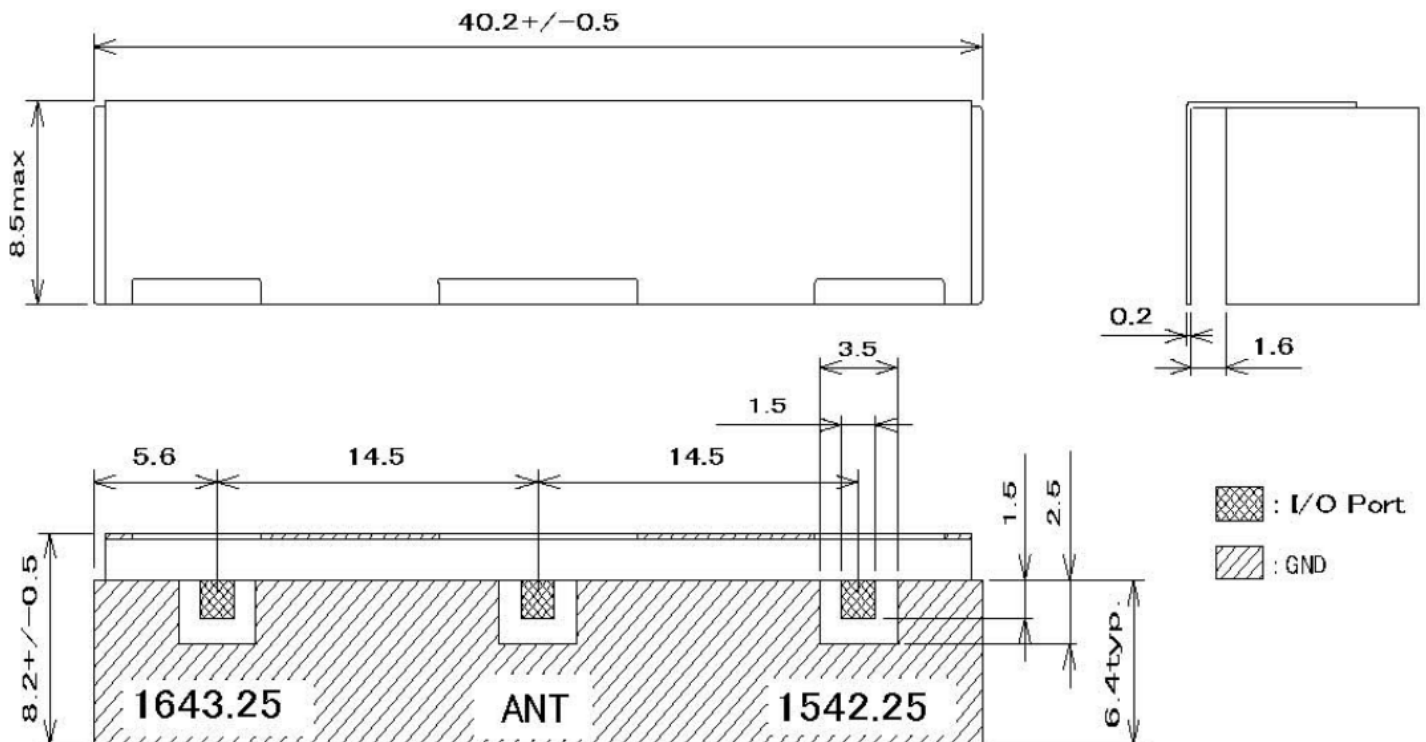
<u>Characteristics</u>	<u>Band 1</u>	<u>Band 2</u>
Passband:	1525-1559.5 MHz	1626-1660.5 MHz
Bandwidth:	34.5 MHz	34.5 MHz
Passband Return Loss:	12 dB (Typ. 15 dB)	12 dB (Typ. 15 dB)
Passband Insertion Loss:	1.4 dB (Typ. 1.0 dB)	2.0 dB (Typ. 1.0 dB)
Passband Ripple:	0.3 dB	0.3 dB
Input / Output Impedance:	50 Ohms	50 Ohms
Isolation:	56 dB (Typ. 60dB)	56 dB (Typ. 60dB)
Power Handling:	5 W Max.	5 W Max.

<u>Mechanical</u>	
Mounting Method:	SMT
Dimensions:	40.2x8.5x8.2 mm

<u>Environmental</u>	
Operating Temperature:	-40 to +70 deg.C
Storage Temperature:	-50 to +90 deg.C

This product is RoHs compliant.

Outline Drawing:



Bottom view

Tolerance: +/-0.01 inches [+/-0.3mm]

Angles: +/-1 Deg.

*Tolerance as shown unless otherwise specified in the datasheet electrical specification tables above.

*When max dimensions are called out the above tolerances do not apply as long as it is under the max callout.

70 Outwater Lane Phone:(973) 772-4242
Garfield, NJ 07026 Fax :(973) 321-3941

Reference Number: E100819-01A

Email: sales@anatechelectronics.com
Web: www.anatechelectronics.com