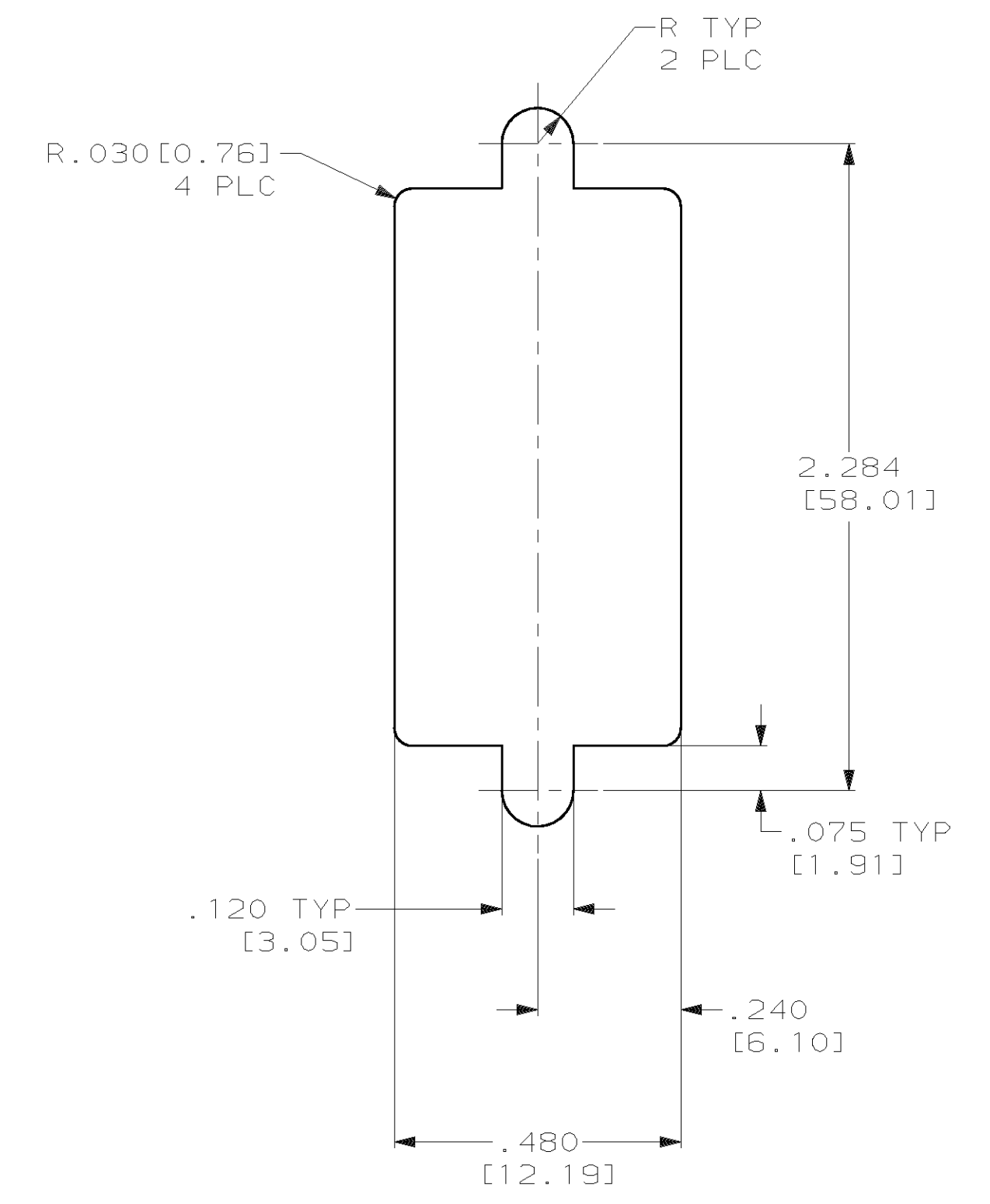
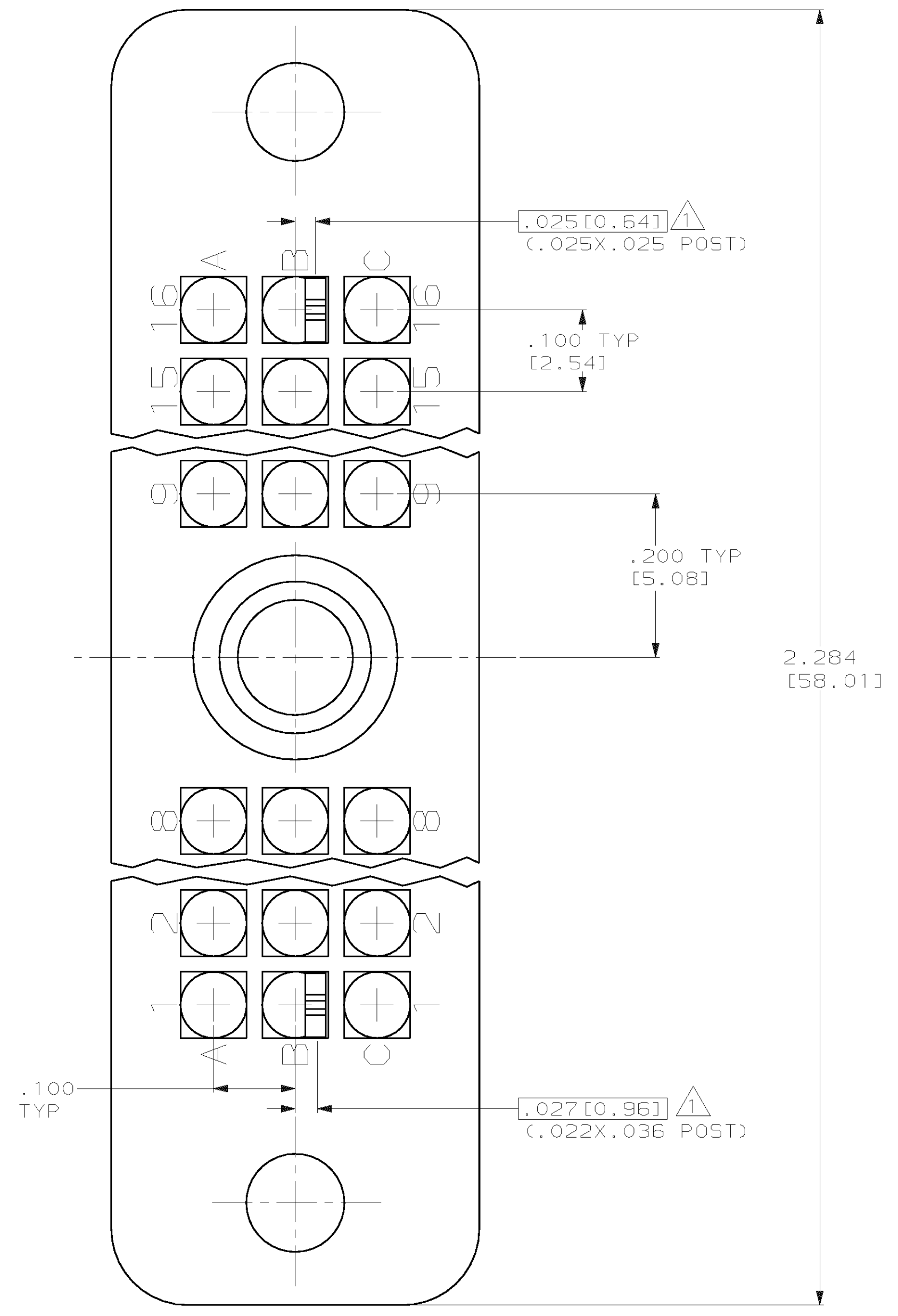
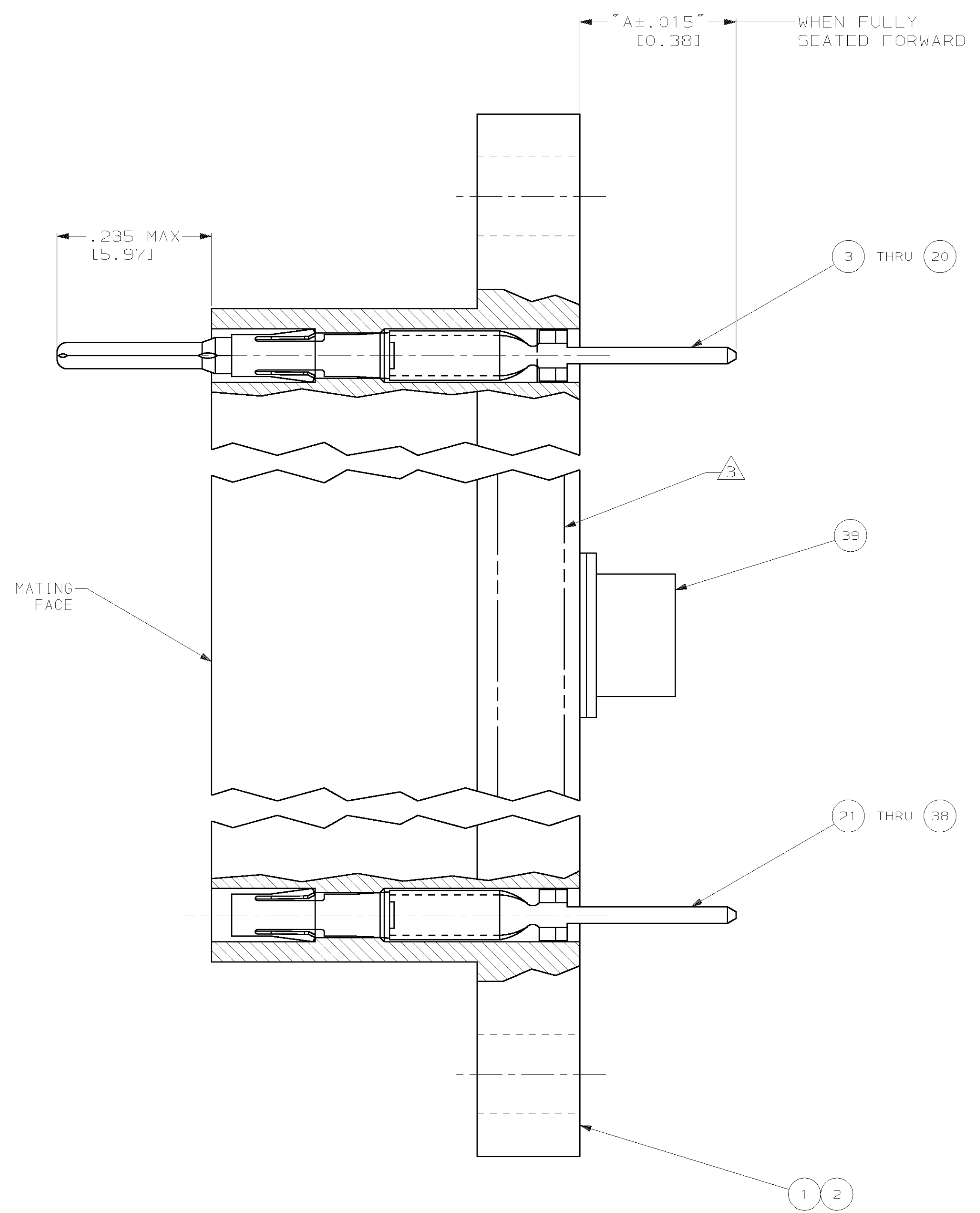


REVISONS		DATE	OWN	APPV
DF	CO			
H	REV PER	063D-0276-01	7-02	CT JM

- 1 THE TIP OF THE CONTACT POSTS WILL FALL WITHIN .025 DIAMETER TRUE POSITION OF EACH OTHER.
- 2 PARTS TO BE ASSEMBLED BY AMP INC.
- 3 AMP, PART NUMBER AND DATE CODE MARKED ON EITHER SIDE.



SUGGESTED PANEL CUTOUT  
SCALE 4:1

TERMINATION	NUMBER OF TERMINATIONS	TYPE OF POST
.520 [13.21]	3	.022X.036 POST
.370 [9.40]	2	
.220 [5.59]	1	.025X.025 POST
.670 [17.02]	3	
.456 [11.58]	2	
.242 [6.15]	1	

<small>THIS DRAWING IS A CONTROLLED DOCUMENT AND IS UNPUBLISHED. IT IS SUBJECT TO CHANGE AND THE CONTROLLING ENGINEERING DEPARTMENT SHALL BE CONTACTED FOR THE LATEST REVISION.</small>		DWG: T. THOMPSON 09-08-95 CHK: D. MUMMEY 09-08-95 APPV: D. MUMMEY 09-08-95	<b>AMP</b> AMP Incorporated Harrisburg, PA 17105-3608
DIMENSIONS: IN (mm)	TOLERANCES UNLESS OTHERWISE SPECIFIED: Ø PLC ±.005 1 PLC ±.005 2 PLC ±.005 3 PLC ±.005 (0.13) A PLC ±.005 ANGLES FINISH	PRODUCT SPEC: 48 POSITION, HDR, PLUG /w JACKSCREW APPLICATION SPEC: A1 00779 C=204687 HEIGHT: 8:1	DRAWING NO: A1 00779 C=204687 SCALE: 8:1 SHEET: 13 OF 13 REV: H



THIS DRAWING IS UNPUBLISHED. RELEASED FOR PUBLICATION .19  
 © COPYRIGHT 19 BY AMP INCORPORATED. ALL RIGHTS RESERVED.

LOC		DST		REVISIONS			
DF	CO	TR	LTR	DESCRIPTION	DATE	OWN	APPRO
		-	-	SEE SHT 1	-	-	-

1	1	1	1	1	1	1	1	1	1	1	1	1	1	1	1	1	A	204299-1	FEMALE	-	JACKSCREW ASSY KIT	39	
-	-	-	-	-	-	48	-	-	-	-	-	-	-	-	-	48	-	C	1-205172-2	GOLD/NICKEL	3	SOCKET ASSY .025 X .025 POST	38
-	-	-	-	-	-	48	-	-	-	-	-	-	-	-	-	48	-	C	1-205172-1	GOLD/NICKEL	2	SOCKET ASSY .025 X .025 POST	37
-	-	-	-	-	-	-	-	-	-	-	-	-	-	-	-	-	48	C	1-205172-0	GOLD/NICKEL	1	SOCKET ASSY .025 X .025 POST	36
48	-	-	-	-	-	-	-	-	-	-	-	-	-	-	-	-	-	C	205172-9	SELECTIVE GOLD	3	SOCKET ASSY .025 X .025 POST	35
-	48	-	-	-	-	-	-	-	-	-	-	-	-	-	-	-	-	C	205172-8	SELECTIVE GOLD	2	SOCKET ASSY .025 X .025 POST	34
-	-	48	-	-	-	-	-	-	-	-	-	-	-	-	-	-	-	C	205172-7	SELECTIVE GOLD	1	SOCKET ASSY .025 X .025 POST	33
-	-	-	48	-	-	-	-	-	-	-	-	-	-	-	-	-	-	C	205172-3	TIN	3	SOCKET ASSY .025 X .025 POST	32
-	-	-	-	48	-	-	-	-	-	-	-	-	-	-	-	-	-	C	205172-2	TIN	2	SOCKET ASSY .025 X .025 POST	31
-	-	-	-	-	48	-	-	-	-	-	-	-	-	-	-	-	-	C	205172-1	TIN	1	SOCKET ASSY .025 X .025 POST	30
-	-	-	-	-	-	-	-	-	-	-	-	-	-	-	-	-	-	C	204292-9	SELECTIVE GOLD	3	SOCKET ASSY .022 X .036 POST	29
-	-	-	-	-	-	-	-	-	-	-	-	-	-	-	-	-	-	C	204292-8	SELECTIVE GOLD	2	SOCKET ASSY .022 X .036 POST	28
-	-	-	-	-	-	-	-	-	-	-	-	-	-	-	-	-	-	C	204292-7	SELECTIVE GOLD	1	SOCKET ASSY .022 X .036 POST	27
-	-	-	-	-	-	-	-	-	-	-	-	-	-	-	-	-	-	C	204292-6	NICKEL	3	SOCKET ASSY .022 X .036 POST	26
-	-	-	-	-	-	-	-	-	-	-	-	-	-	-	-	-	-	C	204292-5	NICKEL	2	SOCKET ASSY .022 X .036 POST	25
-	-	-	-	-	-	-	-	-	-	-	-	-	-	-	-	-	-	C	204292-4	NICKEL	1	SOCKET ASSY .022 X .036 POST	24
-	-	-	-	-	-	-	-	-	-	-	-	-	-	-	-	-	-	C	204292-3	GOLD/NICKEL	3	SOCKET ASSY .022 X .036 POST	23
-	-	-	-	-	-	-	-	-	-	-	-	-	-	-	-	-	-	C	204292-2	GOLD/NICKEL	2	SOCKET ASSY .022 X .036 POST	22
-	-	-	-	-	-	-	-	-	-	-	-	-	-	-	-	-	-	C	204292-1	GOLD/NICKEL	1	SOCKET ASSY .022 X .036 POST	21
-	-	-	-	-	-	-	-	-	-	-	-	-	-	-	-	-	-	C	204285-9	SELECTIVE GOLD	1	PIN ASSY .022 X .036 POST	20
-	-	-	-	-	-	-	-	-	-	-	-	-	-	-	-	-	-	C	204285-8	SELECTIVE GOLD	2	PIN ASSY .022 X .036 POST	19
-	-	-	-	-	-	-	-	-	-	-	-	-	-	-	-	-	-	C	204285-7	SELECTIVE GOLD	3	PIN ASSY .022 X .036 POST	18
-	-	-	-	-	-	-	-	-	-	-	-	-	-	-	-	-	-	C	204285-6	TIN	1	PIN ASSY .022 X .036 POST	17
-	-	-	-	-	-	-	-	-	-	-	-	-	-	-	-	-	-	C	204285-5	TIN	2	PIN ASSY .022 X .036 POST	16
-	-	-	-	-	-	-	-	-	-	-	-	-	-	-	-	-	-	C	204285-4	TIN	3	PIN ASSY .022 X .036 POST	15
-	-	-	-	-	-	-	-	-	-	-	-	-	-	-	-	-	-	C	204285-3	GOLD/NICKEL	1	PIN ASSY .022 X .036 POST	14
-	-	-	-	-	-	-	-	-	-	-	-	-	-	-	-	-	-	C	204285-2	GOLD/NICKEL	2	PIN ASSY .022 X .036 POST	13
-	-	-	-	-	-	-	-	-	-	-	-	-	-	-	-	-	-	C	204285-1	GOLD/NICKEL	3	PIN ASSY .022 X .036 POST	12
-	-	-	-	-	-	-	-	-	-	-	-	-	-	-	-	-	-	C	1-205171-2	GOLD/NICKEL	3	PIN ASSY .025 X .025 POST	11
-	-	-	-	-	-	-	-	-	-	-	-	-	-	-	-	-	-	C	1-205171-1	GOLD/NICKEL	2	PIN ASSY .025 X .025 POST	10
-	-	-	-	-	-	-	-	-	-	-	-	-	-	-	-	-	-	C	1-205171-0	GOLD/NICKEL	1	PIN ASSY .025 X .025 POST	9
-	-	-	-	-	-	-	-	-	-	-	-	-	-	-	-	-	-	C	205171-9	SELECTIVE GOLD	3	PIN ASSY .025 X .025 POST	8
-	-	-	-	-	-	-	-	-	-	-	-	-	-	-	-	-	-	C	205171-8	SELECTIVE GOLD	2	PIN ASSY .025 X .025 POST	7
-	-	-	-	-	-	-	-	-	-	-	-	-	-	-	-	-	-	C	205171-7	SELECTIVE GOLD	1	PIN ASSY .025 X .025 POST	6
-	-	-	-	-	-	-	-	-	-	-	-	-	-	-	-	-	-	C	205171-3	TIN	3	PIN ASSY .025 X .025 POST	5
-	-	-	-	-	-	-	-	-	-	-	-	-	-	-	-	-	-	C	205171-2	TIN	2	PIN ASSY .025 X .025 POST	4
-	-	-	-	-	-	-	-	-	-	-	-	-	-	-	-	-	-	C	205171-1	TIN	1	PIN ASSY .025 X .025 POST	3
1	1	1	1	1	1	1	1	1	-	-	-	-	-	-	-	-	-	D	2-204281-8	DIALYL PHTHALATE-BLUE	-	BLOCK	2
-	-	-	-	-	-	-	-	-	1	1	1	1	1	1	1	1	1	D	204281-8	PHENOLIC-BLACK	-	BLOCK	1

7-27-17-06-96-86-76-66-56-46-36-26-16-05-95-85-75-65-5	DWG SIZE	PART NO	REMARKS	TERMINATIONS	DESCRIPTION	ITEM NO
OBS						
OBS						
OBS						
OBS						
OBS						
OBS						

THIS DRAWING IS UNPUBLISHED. IT IS SUBJECT TO CHANGE AND THE CONTROLLING ENGINEERING DEPARTMENT SHALL BE CONTACTED FOR THE LATEST REVISION.

**TOLERANCES UNLESS OTHERWISE SPECIFIED:**

Ø PLG	±.0005
PLG	±.0005
Ø PLG	±.0005
PLG	±.0005
Ø PLG	±.0005
PLG	±.0005

ANGLES ±.0005

FINISH -

OWN	T. THOMPSON	09-08-95
CHK	D. MUMMEY	09-08-95
APP'D	D. MUMMEY	09-08-95
PRODUCT SPEC		
APPLICATION SPEC		
HEIGHT		
CUSTOMER DRAWING		

SIZE	A1
CAGE CODE	00779
DRAWING NO	C=204687
SCALE	8:1
SHEET	3 OF 3
REV	H