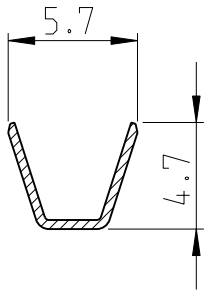


LOC	DIST	REVISIONS					
		P	LTR	DESCRIPTION	DATE	DWN	APVD
1	-		AV	ET00044896	21-Oct-1996	H.Y.	-
			AV1	ET00034799	18-Nov-1999	H.Y.	-
			AV2	REDRAWN FOR CLARITY	11-NOV-2009	PKS	RRP
			AV3	180453-6 DETAILS ADDED TO P/N TABLE	15-Jun-2010	MRS	PKS

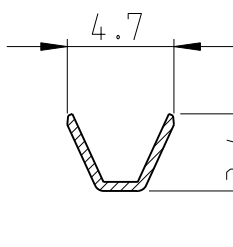
SECTION A-A



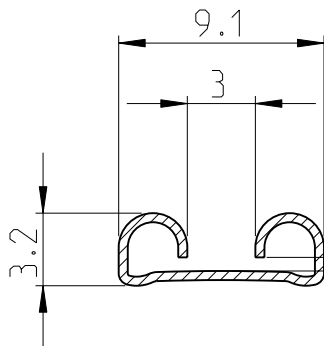
NOTES:

- 1 FORNITO IN BOBINA Ø24" CON CARTA INTERPOSTA TRA LE SPIRE DEI TERMINALI (TERMINAL REELED ON 24" STD CARTON REEL WITH INTERLEAVE PAPER STRIP)
- 2 NON DISPONIBILE DALL TE ITALIA (NOT AVAILABLE FROM TE ITALY)
- 3 REVERSE REELED FOR AMP-O-MATOR

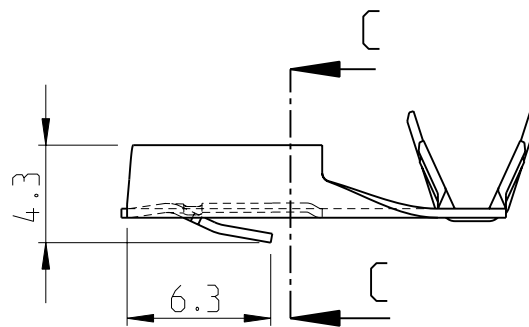
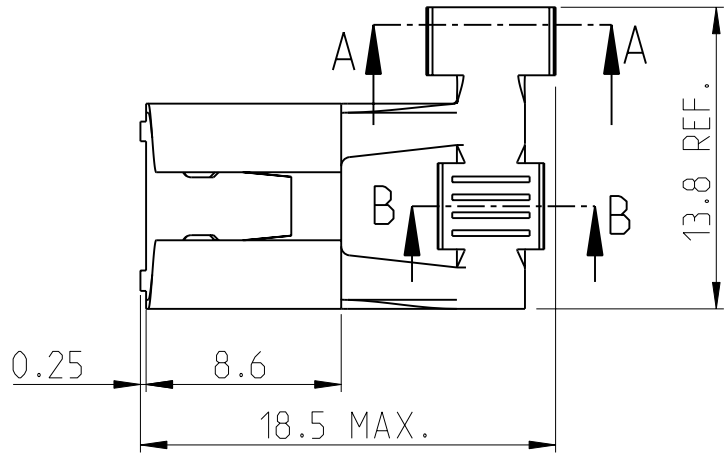
SECTION B-B



SECTION C-C



ADATTO PER LINGUETTA DA 0.8mm DI SPESSE
(SUITABLE FOR TAB 0.8mm THK.)



1	2	PHOS. BRONZE	2-180453-5	3				
TIN	1	BRASS	1-180453-2	3	TIN	BRASS	180453-2	3
TIN		PHOS. BRONZE	180453-6	3	-	BRASS	180453-1	3
SILVER		BRASS	180453-4	3	SILVER	BRASS	180373-6	
SILVER		PHOS. BRONZE	180453-3	3	TIN	PHOS. BRONZE	180373-5	
FINISH/FINITURA	MATERIAL/MATERIALE	P/N	FINISH/FINITURA	MATERIAL/MATERIALE	P/N	FINISH/FINITURA	MATERIAL/MATERIALE	P/N

DIMENSIONS:

mm

TOLERANCES UNLESS OTHERWISE SPECIFIED:

0 PLC	±
1 PLC	±0.4
2 PLC	±
3 PLC	±
4 PLC	±
ANGLES	±2°



DWN A.MERLINO	12-10-62
CHK R.BAKKER	12-10-62
APVD R.BAKKER	12-10-62
PRODUCT SPEC	-
APPLICATION SPEC	-
WEIGHT	-

MATERIAL SEE TABLE FINISH SEE TABLE



Tyco Electronics AMP ITALIA
TORINO, ITALIA

NAME
312 SERIES FLAG FAST-IN-ON RECEPTACLE

SIZE	CAGE CODE	DRAWING NO	RESTRICTED TO
A 4	00779	C-180373	-

CUSTOMER DRAWING

SCALE 3:1 SHEET 1 OF 1 REV AV3

1962

RELEASED FOR PUBLICATION

BY TYCO ELECTRONICS CORPORATION. ALL INTERNATIONAL RIGHTS RESERVED.

THIS DRAWING IS UNPUBLISHED.

© COPYRIGHT 1962