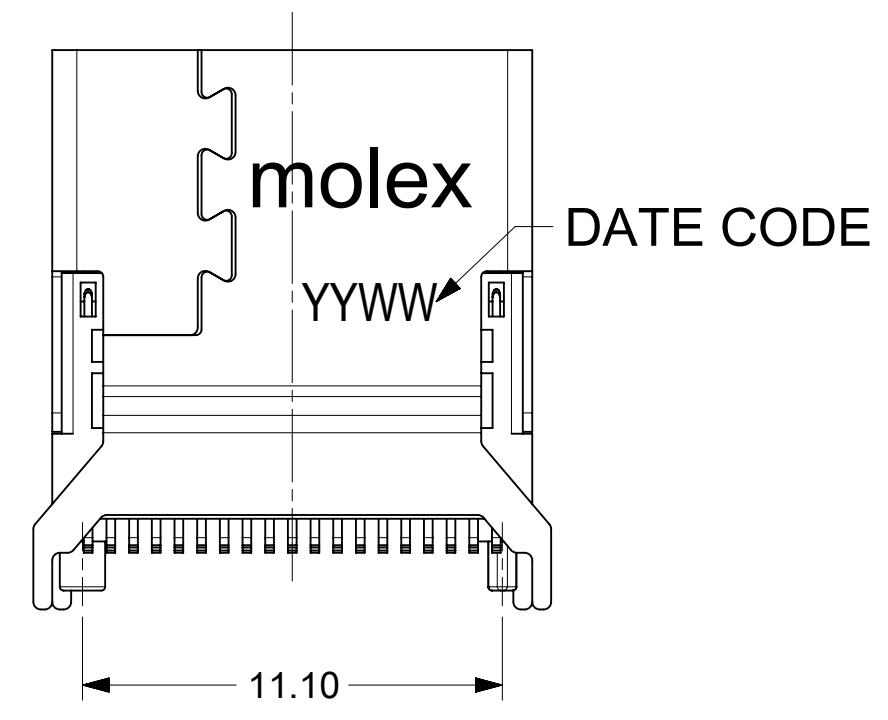
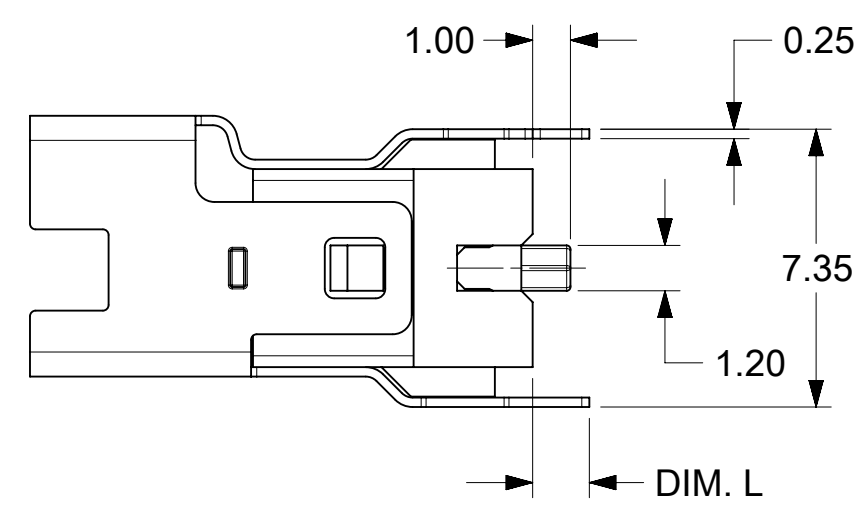
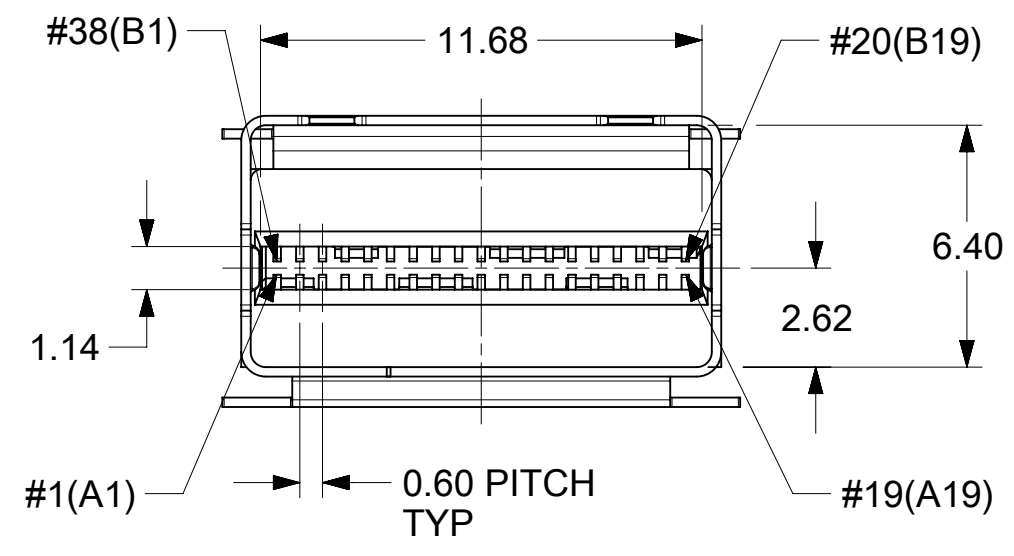


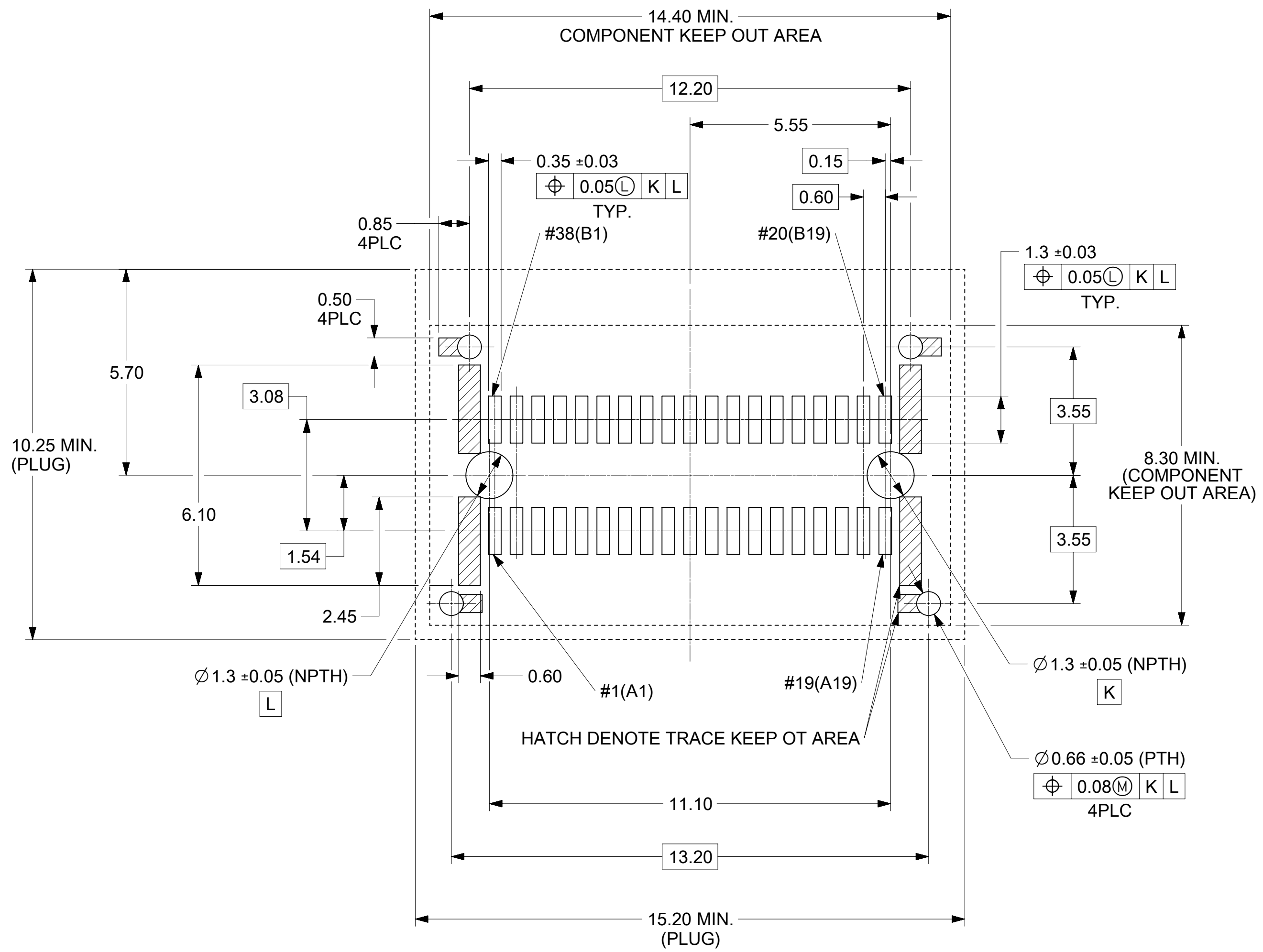
NOTE:
 1. MATERIAL:
 HOUSING : LCP, UL94-V0, BLACK COLOR
 INSERT MOLD: LCP, UL94-V0, BLACK COLOR
 CONTACT: COPPER ALLOY
 GROUND: COPPER ALLOY
 SHELL: NICKEL SILVER
 2. FINISH:
 CONTACT:
 GOLD PLATING (SEE TABLE) ON CONTACT AREA
 100u" MIN. MATTE TIN PLATING ON SOLDERTAIL
 50u" MIN. NICKEL UNDER PLATING OVERALL
 GROUND:
 50u" MIN. NICKEL PLATING OVERALL
 3. SOLDERTAILS COPLANARITY TO BE 0.1 MAXIMUM.
 4. ROHS COMPLIANT



0.375um[15u"]	4.2	2119663108
	3.0	2119663107
	2.2	2119663106
	1.5	2119663105
0.75um[30u"]	4.2	2119663104
	3.0	2119663103
	2.2	2119663102
	1.5	2119663101
GOLD PLATING	DIM. L	PART NUMBER

FUNCTIONAL SYMBOLS $\frac{F}{A} = 0$ $\frac{E}{C} = 0$ $\frac{P}{D} = 0$ DIVISIONAL SYMBOLS	THIS DRAWING CONTAINS INFORMATION THAT IS PROPRIETARY TO MOLEX ELECTRONIC TECHNOLOGIES, LLC AND SHOULD NOT BE USED WITHOUT WRITTEN PERMISSION	SCALE	CURRENT REV DESC:		
	DIMENSION UNITS	5:1	EC NO: 690306		
	mm		DRWN: ETSENG	2021/12/27	
	GENERAL TOLERANCES (UNLESS SPECIFIED)		CHK'D: ETSENG	2021/12/30	
ANGULAR TOL	± °	APPR: VPENG01	2021/12/30		
4 PLACES	±	INITIAL REVISION:			
3 PLACES	± 0.15	DRWN: SHOU	2019/11/18		
2 PLACES	± 0.25	APPR: ETSENG	2020/02/17		
1 PLACE	± 0.35	THIRD ANGLE PROJECTION			
0 PLACES	±	DRAWING	C-SIZE	SERIES	
DRAFT WHERE APPLICABLE MUST REMAIN WITHIN DIMENSIONS				211966	
DOCUMENT STATUS		P1	RELEASE DATE	2021/12/30	10:26:09

molex			
SLIMSAS 4X VERTICAL RECEPTACLE CONNECTOR, 100OHM			
PRODUCT CUSTOMER DRAWING			
DOCUMENT NUMBER	DOC TYPE	DOC PART	REVISION
2119663101	PSD	000	D
MATERIAL NUMBER	CUSTOMER	SHEET NUMBER	
SEE TABLE		1 OF 2	



RECOMMENDED PCB LAYOUT
TOLERANCE: ±0.05

FUNCTIONAL SYMBOLS $\frac{F}{A} = 0$ $\frac{F}{C} = 0$ $\frac{F}{P} = 0$	THIS DRAWING CONTAINS INFORMATION THAT IS PROPRIETARY TO MOLEX ELECTRONIC TECHNOLOGIES, LLC AND SHOULD NOT BE USED WITHOUT WRITTEN PERMISSION		CURRENT REV DESC:				
	DIMENSION UNITS	SCALE	EC NO: 690306				
	mm	10:1	DRWN: ETSENG 2021/12/27				
	GENERAL TOLERANCES (UNLESS SPECIFIED)		CHK'D: ETSENG 2021/12/30				
DIVISIONAL SYMBOLS	ANGULAR TOL	± °	APPR: VPENG01 2021/12/30		PRODUCT CUSTOMER DRAWING		
	4 PLACES	±	INITIAL REVISION:		DOCUMENT NUMBER		
	3 PLACES	± 0.15	DRWN: SHOU 2019/11/18		2119663101		
	2 PLACES	± 0.25	APPR: ETSENG 2020/02/17		PSD 000 D		
DRAFT WHERE APPLICABLE MUST REMAIN WITHIN DIMENSIONS		THIRD ANGLE PROJECTION	DRAWING	SERIES	MATERIAL NUMBER	CUSTOMER	SHEET NUMBER
			C-SIZE	211966	SEE TABLE		2 OF 2