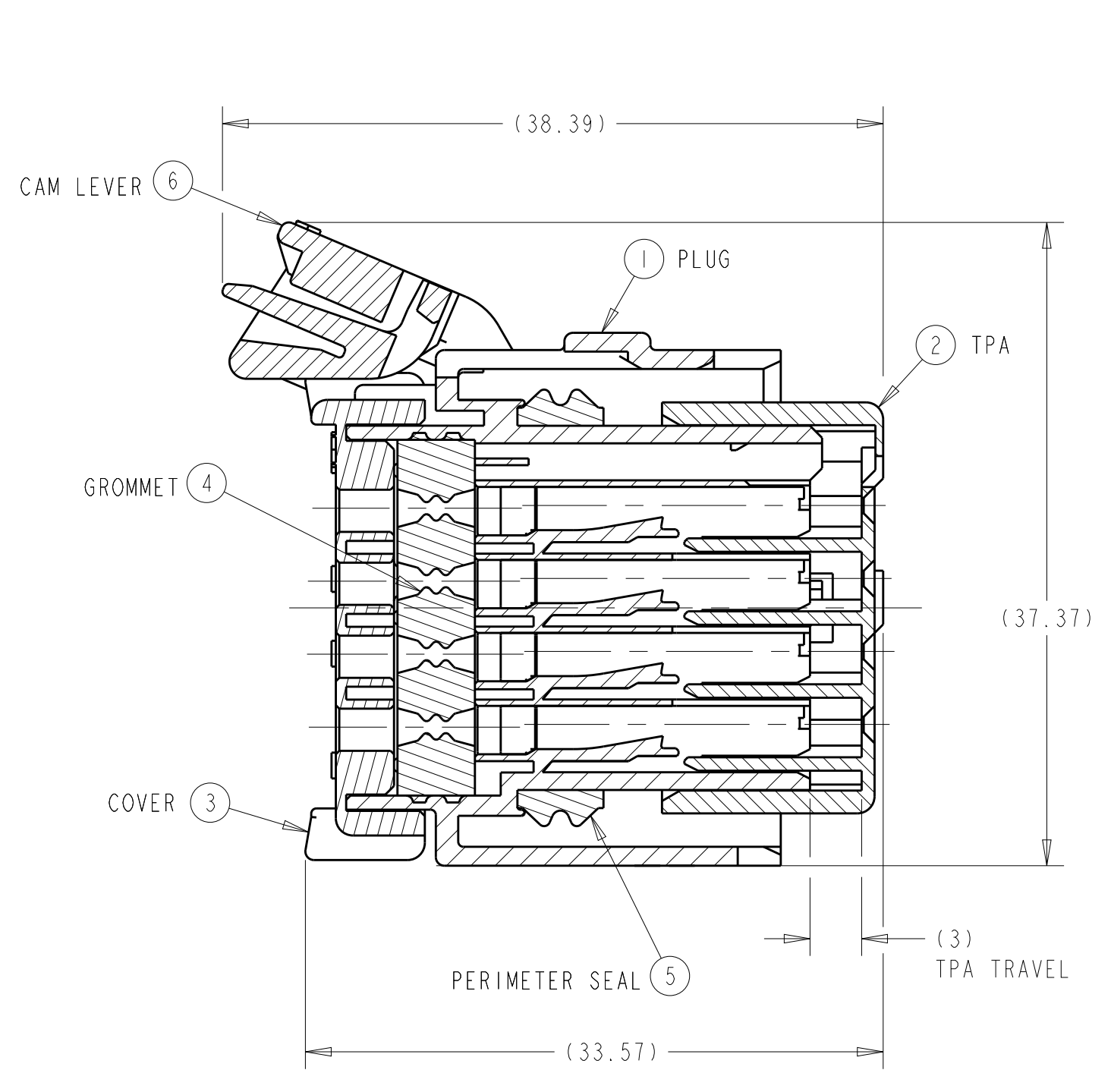
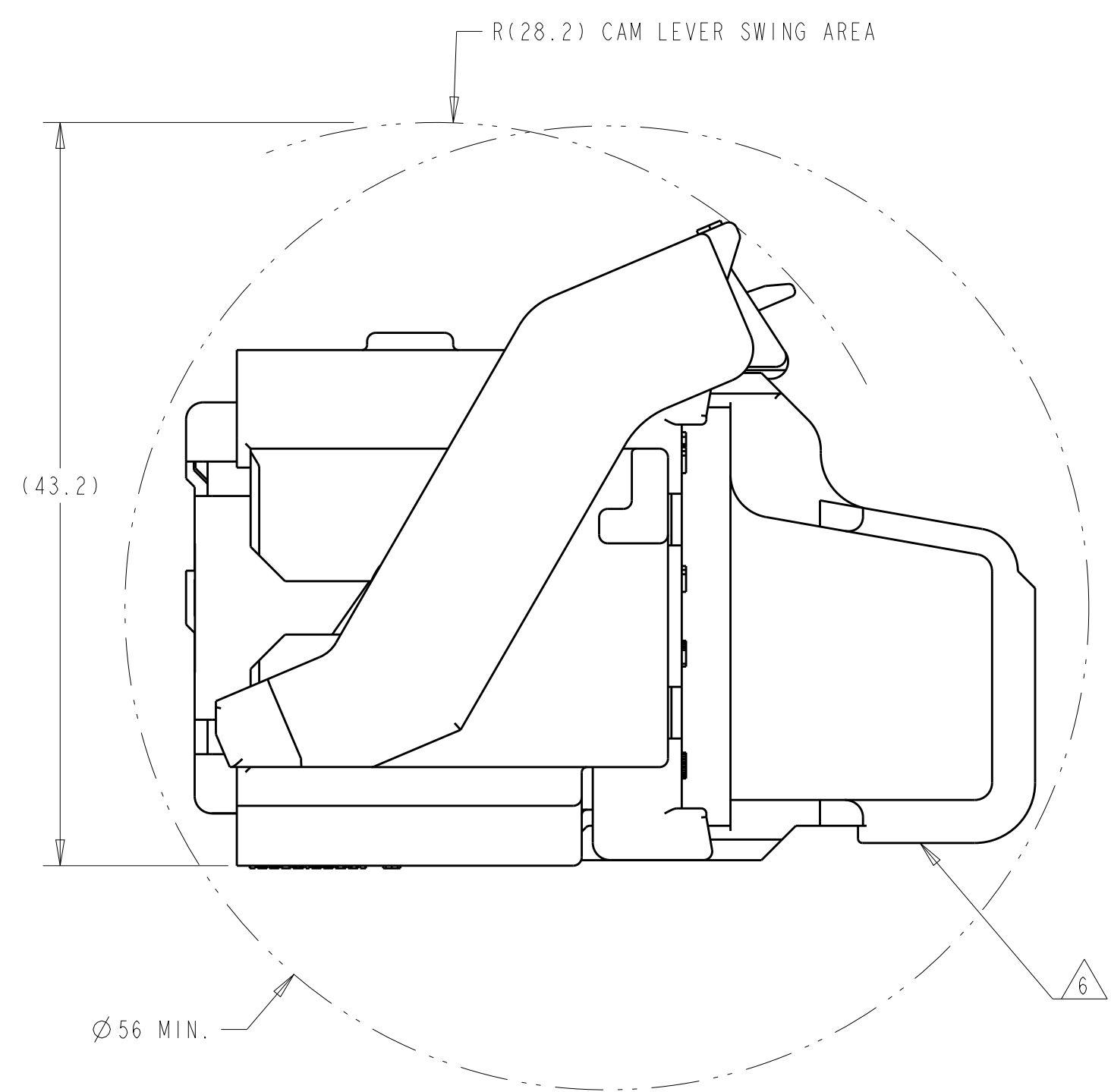
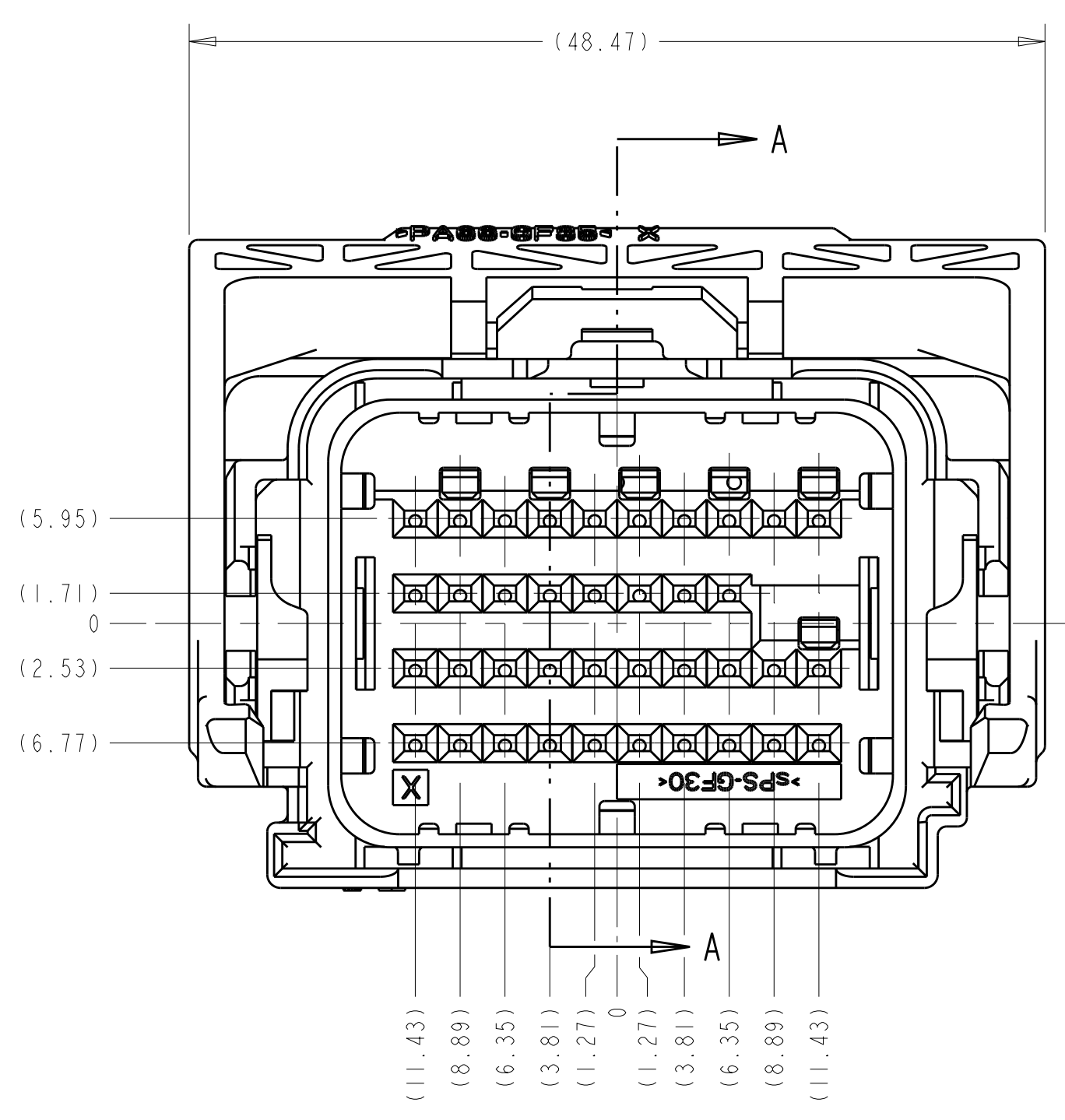


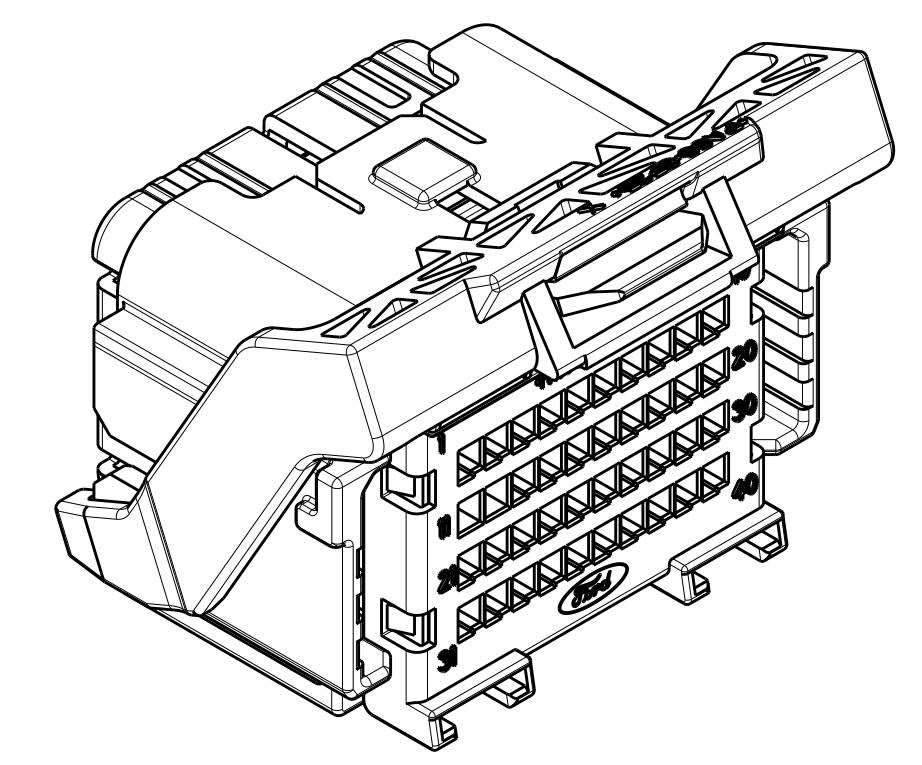
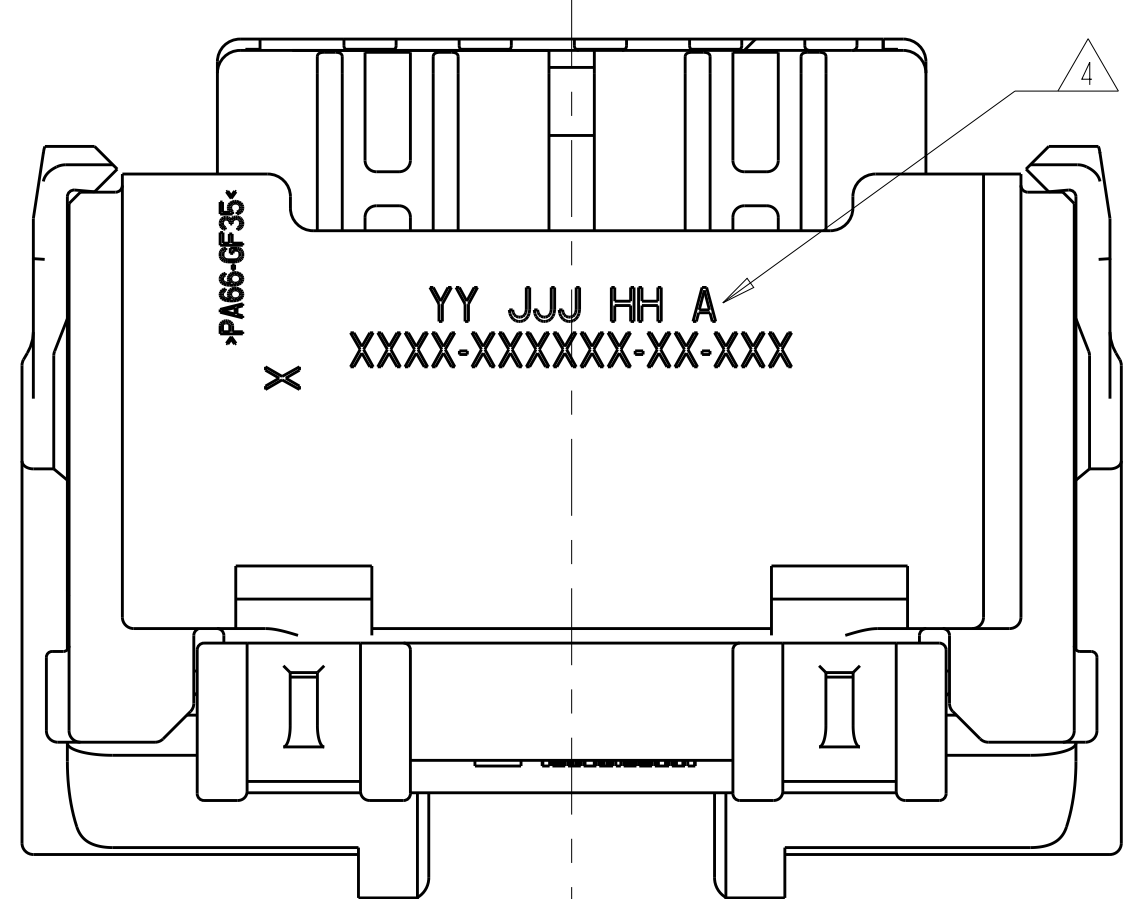
| REVISIONS | | | | |
|-----------|-----|---------------------------|-----------|----------|
| P | LTN | DESCRIPTION | DATE | OWN APVD |
| D1 | | REV PER ECO 08-006962 | 07JAN2008 | DLD WTW |
| E | | REVISED PER ECR 07-030366 | 08JAN2008 | DLD WTW |
| F | | REVISED PER ECO 08-006962 | 19MAR2008 | DLD WTW |
| F1 | | REVISED PER ECO-20-012415 | 10SEP2020 | AP WW |



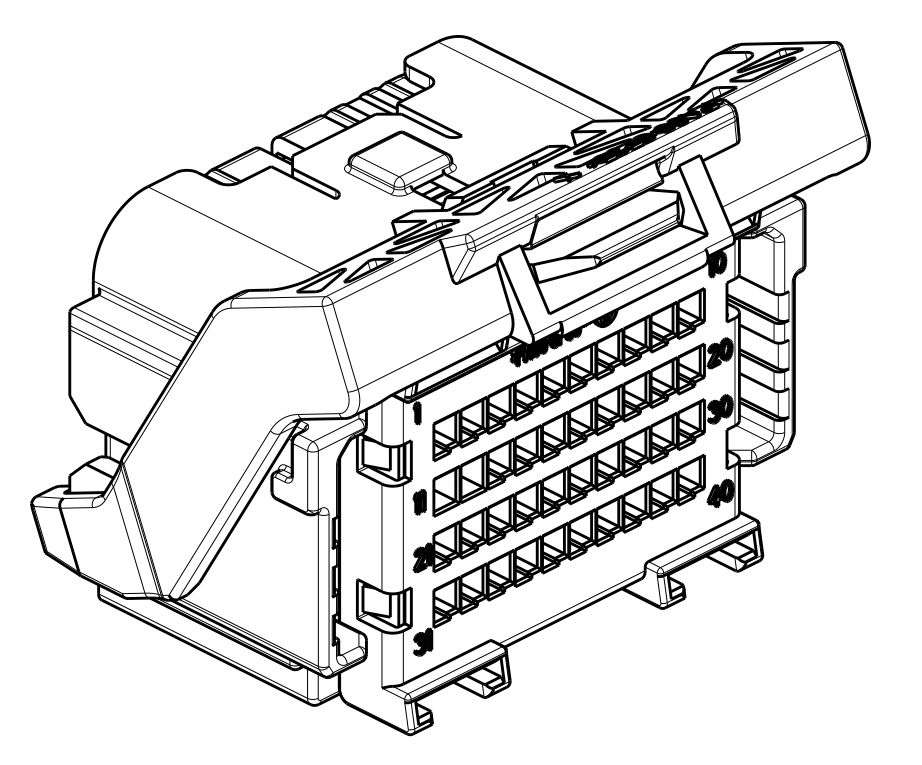
SECTION A-A
SHOWN WITH CAM LEVER
AND TPA IN THEIR
PRE-LOADED POSITIONS
(DELIVERY CONDITION)



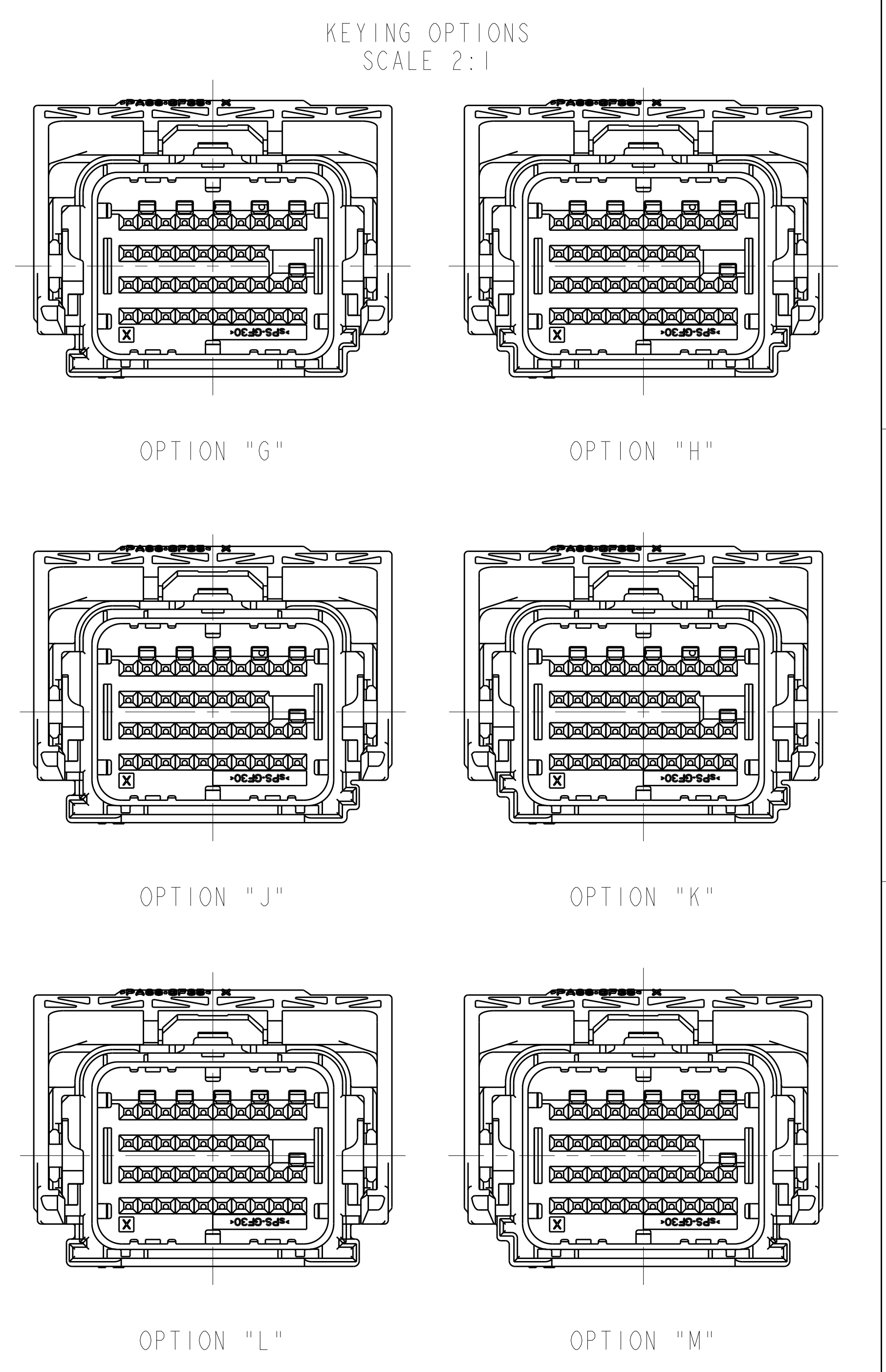
MINIMUM FEED THROUGH CONDITION
WITH 1mm CLEARANCE ALL AROUND
SHOWN WITH OPTION WIRESHIELD
TPA IS IN IT'S LOADED POSITION
CAM LEVER IS IN IT'S PRE-LOADED POSITION



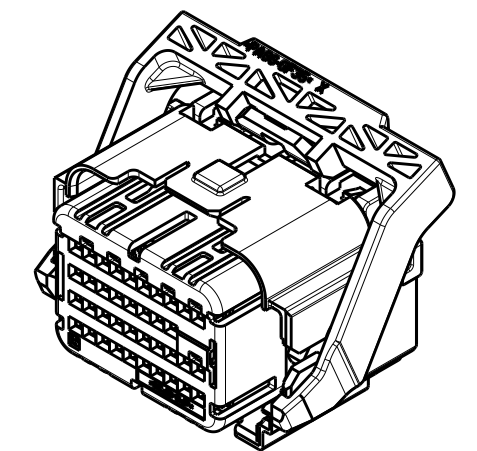
SCALE 2:1



THIS VIEW SHOWS THE
MODIFIED CAM LEVER
SCALE 2:1



KEYING OPTIONS
SCALE 2:1



SCALE 1:1

KEYING OPTION "G" SHOWN
SEE SHEET 2 FOR BILL OF MATERIALS
AND SHEET 3, 4 AND 5 FOR PIN-OUT CHARTS

- NOTE(S):
- APPLICABLE TERMINAL PART NUMBERS (SOLD SEPARATELY):
FOR TIN APPLICATIONS: 1393367 AND 1393366.
FOR GOLD APPLICATIONS: 1393365 AND 1393364.
FOR TERMINATION AND REELING OPTIONS
SEE DRAWINGS 1393367, 1393366, 1393365, AND 1393364.
 - COMPATIBLE WIRE SIZES FOR MAT SEAL DESIGN 1.19 TO 2.06 O.D.
(22-18 AWG, 0.35-0.75 mm²)
 - TPA AND CAM LEVER ARE SHIPPED IN THEIR PRE-LOADED POSITION.
ALL ASSEMBLIES ARE TO BE TRAY PACKAGED.
 - CUSTOMER PART NUMBER AND TRACEABILITY CODE (YY = TWO DIGIT YEAR,
JJJ = JULIAN DAY, HH = TWO DIGIT MILITARY HOUR, A=ASSEMBLY PROCESS
USED) ARE PRINTED IN THIS LOCATION.
 - PART ASSEMBLY WEIGHT WITHOUT TERMINALS AND WITH STANDARD PIN-OUT
CONFIGURATION IS 26.09 GRAMS.
 - OPTIONAL WIRESHIELD P/N 8-1419157-8 (SOLD SEPARATELY). PLEASE CONTACT
YOUR TYCO ELECTRONICS SALES REPRESENTATIVE FOR AVAILABILITY AND PRICING.
 - OBSOLETE PART

| | | | |
|--|--|----------------------------|--|
| THIS DRAWING IS A CONTROLLED DOCUMENT. | | OWN: A. HOLT 14NOV2006 | |
| DIMENSIONS: mm | | CHK: W. WELLSKY 14NOV2006 | |
| TOLERANCES UNLESS OTHERWISE SPECIFIED: | | APVD: W. WELLSKY 14NOV2006 | NAME: 40 WAY SHORTING BAR ARM PLUG ASSEMBLY WITHOUT SHORTING BARS LOADED |
| 0 PLC ± | | PRODUCT SPEC | |
| 1 PLC ±0.3 | | APPLICATION SPEC | SIZE: CAGE CODE DRAWING NO: 00779 ©=1924170 |
| 2 PLC ±0.10 | | RESTRICTED TO | |
| 3 PLC ± | | WEIGHT: SEE NOTE 5 | SCALE: 3:1 SHEET 1 OF 5 REV: F1 |
| 4 PLC ± | | CUSTOMER DRAWING | |
| ANGLES ± | | | |
| FINISH: * | | | |
| MATERIAL: SEE CHART ON SHEET 2 | | | |

| REVISIONS | | | | |
|-----------|-----|-------------|------|------|
| P. | LTN | DESCRIPTION | DATE | APVD |
| - | - | SEE SHEET 1 | - | - |
| | | | | |
| | | | | |

PIN OUT CHART

BLANK CAVITIES INDICATE OPEN TERMINAL HOLE POSITIONS

CAVITIES WITH A NUMERIC SYMBOL INDICATE CLOSED TERMINAL HOLE POSITIONS


TERMINAL HOLE POSITION

| 1 | 2 | 3 | 4 | 5 | 6 | 7 | 8 | 9 | 10 | 11 | 12 | 13 | 14 | 15 | 16 | 17 | 18 | 19 | 20 | 21 | 22 | 23 | 24 | 25 | 26 | 27 | 28 | 29 | 30 | 31 | 32 | 33 | 34 | 35 | 36 | 37 | 38 | 39 | 40 | ASSEMBLY PART NUMBER | KEYING OPTION | | | |
|---|---|---|---|---|---|---|---|---|----|----|----|----|----|----|----|----|----|----|----|----|----|----|----|----|----|----|----|----|----|----|----|----|----|----|----|----|----|----|----|----------------------|---------------|-------------|-------------|---|
| | | | | | | | | | | | 11 | 12 | | | | | | | | | | | | | | | | | | | | | | | | | | | | | 0-1924170-1 | G | | |
| 1 | 2 | 3 | 4 | 5 | 6 | 7 | 8 | 9 | 10 | 11 | 12 | 13 | 14 | 15 | 16 | 17 | 18 | | | 21 | 22 | | | | | | 27 | 28 | 29 | 30 | | | | | 35 | 36 | 37 | 38 | 39 | 40 | 0-1924170-2 | G | | |
| | | | 3 | 4 | 5 | 6 | 7 | 8 | 9 | 10 | 11 | 12 | 13 | 14 | 15 | 16 | | | | | | | | | | | | | | | | | | | | 35 | 36 | 37 | 38 | 39 | 40 | 0-1924170-3 | G | |
| | | | | | | | 7 | 8 | 9 | 10 | 11 | 12 | 13 | 14 | 15 | 16 | | | | | | | | | | | | | | | | | | | | 35 | 36 | 37 | 38 | 39 | 40 | 0-1924170-4 | G | |
| 1 | 2 | 3 | 4 | 5 | 6 | 7 | 8 | 9 | 10 | 11 | 12 | 13 | 14 | 15 | 16 | | | | | 21 | 22 | | | | | | 27 | 28 | 29 | 30 | | | | | 35 | 36 | 37 | 38 | 39 | 40 | 0-1924170-5 | G | | |
| 1 | 2 | 3 | 4 | 5 | 6 | 7 | 8 | 9 | 10 | 11 | 12 | 13 | 14 | | | | | | | | | | | | 24 | | | | | | | | | 35 | 36 | | | | | 0-1924170-6 | G | | | |
| 1 | 2 | 3 | 4 | 5 | 6 | 7 | 8 | 9 | 10 | 11 | 12 | 13 | 14 | 15 | 16 | | | | | | | | | | 24 | | | | | 29 | 30 | | | | 35 | 36 | | | | | 0-1924170-7 | G | | |
| | | | | | | | 7 | 8 | 9 | 10 | 11 | 12 | | | | | | | | | | | | | | | | | | | | | | | | 35 | 36 | 37 | 38 | 39 | 40 | 0-1924170-8 | G | |
| | | | 3 | 4 | 5 | 6 | 7 | 8 | 9 | 10 | 11 | 12 | | | | | | | | | | | | | | | | | | | | | | | 35 | 36 | 37 | 38 | 39 | 40 | 0-1924170-9 | G | | |
| 1 | 2 | 3 | 4 | 5 | 6 | 7 | 8 | 9 | 10 | 11 | 12 | 13 | 14 | 15 | 16 | | | | | | | | | | | | 27 | 28 | 29 | 30 | | | | | 35 | 36 | 37 | 38 | 39 | 40 | 1-1924170-0 | G | | |
| | | | | | | | 7 | 8 | 9 | 10 | 11 | 12 | | | | | | 18 | | | | | | | | | | | | | | | | | | 35 | 36 | 37 | 38 | 39 | 40 | 1-1924170-1 | G | |
| 1 | 2 | 3 | 4 | | | | 7 | 8 | 9 | 10 | 11 | 12 | 13 | 14 | 15 | 16 | | | | 21 | 22 | | | | | | 27 | 28 | 29 | 30 | | | | | 35 | 36 | 37 | 38 | 39 | 40 | 1-1924170-2 | G | | |
| 1 | 2 | | | | | | 7 | 8 | 9 | 10 | 11 | 12 | | | | | | | | 21 | 22 | | | | | | | | | | | | | | 35 | 36 | 37 | 38 | 39 | 40 | 1-1924170-3 | G | | |
| | | | 3 | 4 | 5 | 6 | 7 | 8 | 9 | 10 | 11 | 12 | 13 | 14 | 15 | 16 | 17 | 18 | | | | | | | | | | | | | | | | | 35 | 36 | 37 | 38 | 39 | 40 | 1-1924170-4 | G | | |
| 1 | 2 | 3 | 4 | | | | 7 | 8 | 9 | 10 | 11 | 12 | 13 | 14 | 15 | 16 | 17 | 18 | | | 21 | 22 | | | | | 27 | 28 | 29 | 30 | | | | | 35 | 36 | 37 | 38 | 39 | 40 | 1-1924170-5 | G | | |
| 1 | 2 | | | | | | 7 | 8 | 9 | 10 | 11 | 12 | | | | | | | | 21 | 22 | | | | | | | | | | | | | | 35 | 36 | 37 | 38 | 39 | 40 | 1-1924170-6 | G | | |
| 1 | 2 | 3 | 4 | 5 | 6 | 7 | 8 | 9 | 10 | 11 | 12 | 13 | 14 | 15 | 16 | 17 | 18 | | | 21 | 22 | 23 | 24 | 25 | 26 | 27 | 28 | 29 | 30 | 31 | 32 | 33 | 34 | 35 | 36 | 37 | 38 | 39 | 40 | 1-1924170-7 | G | | | |
| | | | 3 | 4 | 5 | 6 | 7 | 8 | 9 | 10 | 11 | 12 | 13 | 14 | 15 | 16 | 17 | 18 | | | | | | | | | | | | | | | | | | 35 | 36 | 37 | 38 | 39 | 40 | 1-1924170-8 | G | |
| | | | | | | | 7 | 8 | 9 | 10 | 11 | 12 | | | | | | | | | | | | | | | | | | | | | | | | | | | | | | 1-1924170-9 | G | |
| 1 | 2 | 3 | 4 | 5 | 6 | 7 | 8 | 9 | 10 | 11 | 12 | 13 | 14 | 15 | 16 | 17 | 18 | | | 21 | 22 | 23 | 24 | 25 | 26 | 27 | 28 | 29 | 30 | | | | | 35 | 36 | 37 | 38 | 39 | 40 | 2-1924170-0 | G | | | |
| 1 | 2 | 3 | 4 | 5 | 6 | 7 | 8 | 9 | 10 | 11 | 12 | 13 | 14 | 15 | 16 | | | | 21 | 22 | | | | | | | 27 | 28 | 29 | 30 | | | | | | | | 39 | 40 | | | 2-1924170-1 | G | |
| | | | | | | | 7 | 8 | 9 | 10 | 11 | 12 | 13 | 14 | 15 | 16 | | | | | | | | | | | | | | | | | | | | | | | 39 | 40 | | | 2-1924170-2 | G |
| | | | 3 | 4 | 5 | 6 | 7 | 8 | 9 | 10 | 11 | 12 | 13 | 14 | 15 | 16 | | | | | | | | | | | | | | | | | | | | | 39 | 40 | | | 2-1924170-3 | G | | |
| 1 | 2 | | | | | | 7 | 8 | 9 | 10 | 11 | 12 | | | | | | | | 21 | 22 | 23 | 24 | 25 | 26 | | | | | | | | | 35 | 36 | 37 | 38 | 39 | 40 | 2-1924170-4 | G | | | |
| 1 | 2 | | | | | | 7 | 8 | 9 | 10 | 11 | 12 | | | | | | | | 21 | 22 | 23 | 24 | | | | | | | | | | | | 35 | 36 | 37 | 38 | 39 | 40 | 2-1924170-5 | G | | |
| | | | | | | | 7 | 8 | 9 | 10 | 11 | 12 | 13 | 14 | 15 | 16 | 17 | 18 | | | | | | | | | | | | | | | | | | | | | | | 2-1924170-6 | G | | |
| | | | | | | | 7 | 8 | 9 | 10 | 11 | 12 | 13 | 14 | 15 | 16 | 17 | 18 | | | | | | | | 26 | | | | | | | | | | 35 | 36 | 37 | 38 | 39 | 40 | 2-1924170-7 | G | |
| | | | | | | | 7 | 8 | 9 | 10 | 11 | 12 | 13 | 14 | 15 | 16 | 17 | 18 | | | | | | | | | | | | | | | | | | | | 39 | 40 | | | 2-1924170-8 | G | |
| | | | 3 | 4 | | | 7 | 8 | 9 | 10 | 11 | 12 | 13 | 14 | 15 | 16 | | | | | | | | | | | | | | | | | | | | | | 39 | 40 | | | 2-1924170-9 | G | |
| | | | | | | | 7 | 8 | 9 | 10 | 11 | 12 | | | | | | | | | | | | | | | | | | | | | | | | | | | | | 3-1924170-0 | G | | |
| 1 | 2 | | | | | | 7 | 8 | 9 | 10 | 11 | 12 | 13 | 14 | 15 | 16 | 17 | 18 | | | 21 | 22 | | | | | 27 | 28 | 29 | 30 | | | | | 35 | 36 | 37 | 38 | 39 | 40 | 3-1924170-1 | G | | |
| 1 | 2 | | | | | | 7 | 8 | 9 | 10 | 11 | 12 | 13 | 14 | 15 | 16 | | | | 21 | 22 | | | | | | | 27 | 28 | 29 | 30 | | | | | 35 | 36 | 37 | 38 | 39 | 40 | 3-1924170-2 | G | |
| 1 | 2 | | | | | | 7 | 8 | 9 | 10 | 11 | 12 | 13 | 14 | 15 | 16 | 17 | 18 | | | 21 | 22 | | | | | | | | | | | | | | | | | | | 3-1924170-3 | G | | |
| 1 | 2 | | | | | | 7 | 8 | 9 | 10 | 11 | 12 | | | | | | | | 21 | 22 | | | | | | 27 | 28 | 29 | 30 | | | | | 35 | 36 | 37 | 38 | 39 | 40 | 3-1924170-4 | G | | |
| 1 | 2 | | | | | | 7 | 8 | 9 | 10 | 11 | 12 | 13 | 14 | 15 | 16 | | | | 21 | 22 | | | | | | | | | | | | | | | | | | | | 3-1924170-5 | G | | |
| 1 | 2 | | | 5 | 6 | 7 | 8 | 9 | 10 | 11 | 12 | 13 | 14 | 15 | 16 | 17 | 18 | | | 21 | 22 | | | | | | 27 | 28 | 29 | 30 | | | | | 35 | 36 | 37 | 38 | 39 | 40 | 3-1924170-6 | G | | |
| 1 | 2 | | | 5 | 6 | 7 | 8 | 9 | 10 | 11 | 12 | 13 | 14 | 15 | 16 | | | | 21 | 22 | | | | | | | | | | | | | | | | | | | | | 3-1924170-7 | G | | |
| 1 | 2 | | | | | | 7 | 8 | 9 | 10 | 11 | 12 | | | | | | | | 21 | 22 | | | | | | | | | | | | | | | | | | | | | 3-1924170-8 | G | |
| 1 | 2 | 3 | 4 | 5 | 6 | 7 | 8 | 9 | 10 | 11 | 12 | 13 | 14 | 15 | 16 | 17 | 18 | | | 21 | 22 | 23 | 24 | | | | 27 | 28 | 29 | 30 | 31 | 32 | 33 | 34 | 35 | 36 | 37 | 38 | 39 | 40 | 3-1924170-9 | G | | |
| | | | | | | | | | | | 11 | 12 | | | | | | | | | | | | | | | | | | | | | | | | | | | | | | 4-1924170-0 | G | |
| | | | | | | | | | | | | | | | | | | | | 19 | 20 | | | | | | | | | | | | | | | | | | | | 4-1924170-1 | G | | |
| 1 | 2 | | | 5 | 6 | 7 | 8 | 9 | 10 | 11 | 12 | 13 | 14 | 15 | 16 | | | | 19 | 20 | | | | | | | 27 | 28 | 29 | 30 | | | | | | | | | | | 4-1924170-2 | G | | |
| 1 | 2 | 3 | 4 | 5 | 6 | 7 | 8 | | | | 11 | 12 | 13 | 14 | 15 | 16 | | | | 19 | 20 | 21 | 22 | 23 | 24 | | | | | | | | | | | | | | | | 4-1924170-3 | G | | |
| 1 | 2 | 3 | 4 | 5 | 6 | | | | | | 11 | 12 | 13 | 14 | 15 | 16 | | | | 21 | 22 | 23 | 24 | | | | | | | | | | | | | | | | | | 4-1924170-4 | G | | |
| 1 | 2 | 3 | 4 | 5 | 6 | 7 | 8 | 9 | 10 | 11 | 12 | 13 | 14 | 15 | 16 | 17 | 18 | | | 21 | 22 | 23 | 24 | 25 | 26 | 27 | 28 | 29 | 30 | 31 | 32 | 33 | 34 | 35 | 36 | 37 | 38 | 39 | 40 | 4-1924170-5 | G | | | |
| 1 | 2 | 3 | 4 | 5 | 6 | 7 | 8 | 9 | 10 | 11 | 12 | 13 | 14 | 15 | 16 | | | | 21 | 22 | 23 | 24 | | | | | | | | | | | | | | | | | | | | 4-1924170-6 | G | |
| 1 | 2 | | 4 | | 6 | 7 | 8 | 9 | 10 | 11 | 12 | 13 | 14 | 15 | 16 | 17 | 18 | | | 21 | 22 | 23 | 24 | | | | 27 | 28 | 29 | 30 | | | | | | | | | | | 4-1924170-7 | G | | |
| 1 | 2 | 3 | 4 | 5 | 6 | 7 | 8 | 9 | 10 | 11 | 12 | 13 | 14 | 15 | 16 | | | | 21 | 22 | | | | | | | | | | | | | | | | | | | | | 4-1924170-8 | G | | |
| 1 | 2 | 3 | 4 | 5 | 6 | | | | | | | | | | | | | | | | | | | | | | | | | | | | | | | | | | | | | | | |

| REVISIONS | | | | |
|-----------|-----|-------------|------|------|
| P. | LTN | DESCRIPTION | DATE | APVD |
| - | - | SEE SHEET 1 | - | - |
| | | | | |
| | | | | |

| PIN OUT CHART | | | | | | | | | | | | | | | | | | | | | | | | | | | | | | | | | | | | | | | | ASSEMBLY PART NUMBER | KEYING OPTION | | |
|--|---|---|---|---|---|---|---|---|----|----|----|----|----|----|----|----|----|----|----|----|----|----|----|----|----|----|----|----|----|----|----|----|----|----|----|----|----|----|----|----------------------|---------------|-------------|---|
| BLANK CAVITIES INDICATE OPEN TERMINAL HOLE POSITIONS | | | | | | | | | | | | | | | | | | | | | | | | | | | | | | | | | | | | | | | | | | | |
| CAVITIES WITH A NUMERIC SYMBOL INDICATE CLOSED TERMINAL HOLE POSITIONS | | | | | | | | | | | | | | | | | | | | | | | | | | | | | | | | | | | | | | | | | | | |
| TERMINAL HOLE POSITION | | | | | | | | | | | | | | | | | | | | | | | | | | | | | | | | | | | | | | | | ASSEMBLY PART NUMBER | KEYING OPTION | | |
| 1 | 2 | 3 | 4 | 5 | 6 | 7 | 8 | 9 | 10 | 11 | 12 | 13 | 14 | 15 | 16 | 17 | 18 | 19 | 20 | 21 | 22 | 23 | 24 | 25 | 26 | 27 | 28 | 29 | 30 | 31 | 32 | 33 | 34 | 35 | 36 | 37 | 38 | 39 | 40 | | | | |
| | | | | | | | | | | | 11 | 12 | | | | | | | | | | | | | | | | | | | | | | | | | | | | | 0-1924172-1 | G | |
| 1 | 2 | 3 | 4 | 5 | 6 | 7 | 8 | 9 | 10 | 11 | 12 | 13 | 14 | 15 | 16 | 17 | 18 | | | 21 | 22 | | | | | | | | | | | | | | | | | | | | 0-1924172-2 | G | |
| | | | 3 | 4 | 5 | 6 | 7 | 8 | 9 | 10 | 11 | 12 | 13 | 14 | 15 | 16 | | | | | | | | | | | | | | | | | | | | | | | | | | 0-1924172-3 | G |
| | | | | | | | 7 | 8 | 9 | 10 | 11 | 12 | 13 | 14 | 15 | 16 | | | | | | | | | | | | | | | | | | | | | | | | | | 0-1924172-4 | G |
| | | | | | | | 7 | 8 | 9 | 10 | 11 | 12 | | | | | | | | | | | | | | | | | | | | | | | | | | | | | | 0-1924172-5 | G |
| 1 | 2 | 3 | 4 | 5 | 6 | 7 | 8 | 9 | 10 | 11 | 12 | 13 | 14 | 15 | 16 | | | | | 21 | 22 | | | | | | | | | | | | | | | | | | | | 0-1924172-6 | G | |
| | | | | | | | 7 | 8 | 9 | 10 | 11 | 12 | | | | | 17 | 18 | | | | | | | | | | | | | | | | | | | | | | | | 0-1924172-7 | G |
| | | | | | | | 7 | 8 | 9 | 10 | 11 | 12 | 13 | 14 | 15 | 16 | 17 | 18 | | | | | | | | | | | | | | | | | | | | | | | | 0-1924172-8 | G |
| 1 | 2 | 3 | 4 | 5 | 6 | 7 | 8 | 9 | 10 | 11 | 12 | 13 | 14 | 15 | 16 | | | | | 21 | 22 | | | | | | | | | | | | | | | | | | | | 0-1924172-9 | G | |
| | | | | | | | 7 | 8 | 9 | 10 | 11 | 12 | | | | | | | | | | | | | | | | | | | | | | | | | | | | | | 1-1924172-0 | G |
| | | | | | | | 7 | 8 | 9 | 10 | 11 | 12 | 13 | 14 | 15 | 16 | | | | | | | | | | | | | | | | | | | | | | | | | | 1-1924172-1 | G |
| 1 | 2 | 3 | 4 | 5 | 6 | 7 | 8 | 9 | 10 | 11 | 12 | 13 | 14 | 15 | 16 | | | | | 19 | 20 | 21 | 22 | 23 | 24 | | | | | | | | | | | | | | | 1-1924172-2 | G | | |
| 1 | 2 | | | | | 7 | 8 | 9 | 10 | 11 | 12 | | | | | | | | | | 21 | 22 | | | | | | | | | | | | | | | | | | | 1-1924172-3 | G | |
| | | | 3 | 4 | 5 | 6 | | | | | 11 | 12 | | | | | | | | | | | | | | | | | | | | | | | | | | | | | | 1-1924172-4 | G |
| | | | 3 | 4 | 5 | 6 | | | | | | | | | | | | | | | | | | | | | | | | | | | | | | | | | | | 1-1924172-5 | G | |
| | | | 3 | 4 | 5 | 6 | | | | | 11 | 12 | | | | | | | | | | | | | | | | | | | | | | | | | | | | | 1-1924172-6 | G | |

| PIN OUT CHART | | | | | | | | | | | | | | | | | | | | | | | | | | | | | | | | | | | | | | | | ASSEMBLY PART NUMBER | KEYING OPTION | | |
|--|---|---|---|---|---|---|---|---|----|----|----|----|----|----|----|----|----|----|----|----|----|----|----|----|----|----|----|----|----|----|----|----|----|----|----|----|----|----|----|----------------------|---------------|-------------|---|
| BLANK CAVITIES INDICATE OPEN TERMINAL HOLE POSITIONS | | | | | | | | | | | | | | | | | | | | | | | | | | | | | | | | | | | | | | | | | | | |
| CAVITIES WITH A NUMERIC SYMBOL INDICATE CLOSED TERMINAL HOLE POSITIONS | | | | | | | | | | | | | | | | | | | | | | | | | | | | | | | | | | | | | | | | | | | |
| TERMINAL HOLE POSITION | | | | | | | | | | | | | | | | | | | | | | | | | | | | | | | | | | | | | | | | ASSEMBLY PART NUMBER | KEYING OPTION | | |
| 1 | 2 | 3 | 4 | 5 | 6 | 7 | 8 | 9 | 10 | 11 | 12 | 13 | 14 | 15 | 16 | 17 | 18 | 19 | 20 | 21 | 22 | 23 | 24 | 25 | 26 | 27 | 28 | 29 | 30 | 31 | 32 | 33 | 34 | 35 | 36 | 37 | 38 | 39 | 40 | | | | |
| | | | | | | | 7 | 8 | 9 | 10 | 11 | 12 | | | | | | | | 19 | 20 | | | | | | | | | | | | | | | | | | | | | 0-1924173-1 | H |
| | | | | 5 | 6 | 7 | 8 | 9 | 10 | 11 | 12 | 13 | 14 | 15 | 16 | | | | | 19 | 20 | | | | | | | | | | | | | | | | | | | | | 0-1924173-2 | H |
| | | | | | | | | | | | | | | | | | | | | | | | | | | | | | | | | | | | | | | | | | | 0-1924173-3 | H |
| 1 | 2 | 3 | 4 | | | | | | 9 | 10 | 11 | 12 | 13 | 14 | 15 | 16 | | | | | 21 | 22 | | | | | | | | | | | | | | | | | | | | 0-1924173-4 | H |
| 1 | 2 | 3 | 4 | 5 | 6 | 7 | 8 | 9 | 10 | 11 | 12 | 13 | 14 | 15 | 16 | | | | | | 21 | 22 | 23 | 24 | 25 | 26 | 27 | 28 | 29 | 30 | 31 | 32 | 33 | 34 | | | | | | 0-1924173-5 | H | | |
| | | | | | | | | | | | | | | | | | | | | | | | | | | | | | | | | | | | | | | | | | | 0-1924173-6 | H |
| | | | | | | | 7 | 8 | 9 | 10 | 11 | 12 | | | | | | | | | | | | | | | | | | | | | | | | | | | | | | 0-1924173-7 | H |
| | | | | | | | 7 | 8 | 9 | 10 | 11 | 12 | | | | | | | | | | | | | | | | | | | | | | | | | | | | | | 0-1924173-8 | H |
| 1 | 2 | 3 | 4 | 5 | 6 | 7 | 8 | 9 | 10 | 11 | 12 | 13 | 14 | 15 | 16 | | | | | 20 | 21 | 22 | | | | | | | | | | | | | | | | | | | 0-1924173-9 | H | |
| 1 | 2 | 3 | 4 | 5 | 6 | 7 | 8 | 9 | 10 | 11 | 12 | 13 | 14 | 15 | 16 | | | | | | 21 | 22 | | | | | | | | | | | | | | | | | | | 1-1924173-0 | H | |
| 1 | 2 | 3 | 4 | 5 | 6 | 7 | 8 | 9 | 10 | 11 | 12 | 13 | 14 | 15 | 16 | | | | | | 21 | 22 | | | | | | | | | | | | | | | | | | | 1-1924173-1 | H | |
| 1 | 2 | 3 | 4 | 5 | 6 | 7 | 8 | 9 | 10 | 11 | 12 | 13 | 14 | 15 | 16 | | | | | | 21 | 22 | | | | | | | | | | | | | | | | | | | 1-1924173-2 | H | |
| | | | | | | | | | | | | | | | | | | | | | | | | | | | | | | | | | | | | | | | | | | 1-1924173-3 | H |
| 1 | 2 | | | | | 7 | 8 | 9 | 10 | 11 | 12 | 13 | 14 | 15 | 16 | | | | | | 21 | 22 | | | | | | | | | | | | | | | | | | | 1-1924173-4 | H | |
| 1 | 2 | 3 | 4 | 5 | 6 | 7 | 8 | 9 | 10 | 11 | 12 | 13 | 14 | 15 | 16 | | | | | | 21 | 22 | | | | | | | | | | | | | | | | | | | 1-1924173-5 | H | |
| 1 | 2 | 3 | 4 | 5 | 6 | 7 | 8 | 9 | 10 | 11 | 12 | 13 | 14 | 15 | 16 | | | | | | 21 | 22 | | | | | | | | | | | | | | | | | | | 1-1924173-6 | H | |
| 1 | 2 | | | | | 7 | 8 | 9 | 10 | 11 | 12 | 13 | 14 | 15 | 16 | | | | | | 21 | 22 | | | | | | | | | | | | | | | | | | | | 1-1924173-7 | H |
| 1 | 2 | 3 | 4 | 5 | 6 | 7 | 8 | 9 | 10 | 11 | 12 | 13 | 14 | 15 | 16 | | | | | | 21 | | 23 | | | | | | | | | | | | | | | | | | 1-1924173-8 | H | |
| | | | 3 | 4 | 5 | 6 | | | | | 11 | 12 | | | | | | | | | | | | | | | | | | | | | | | | | | | | | | 1-1924173-9 | H |
| | | | 3 | 4 | 5 | 6 | | | | | 11 | 12 | | | | | | | | | | | | | | | | | | | | | | | | | | | | | | 2-1924173-0 | H |
| | | | 3 | 4 | 5 | 6 | | | | | 11 | 12 | | | | | | | | | | | | | | | | | | | | | | | | | | | | | | 2-1924173-1 | H |

| | | | |
|--|---|--|---|
| THIS DRAWING IS A CONTROLLED DOCUMENT. | | DWN: A. HOLT 14NOV2006 CHK: W. WELLSKY 14NOV2006 APVD: W. WELLSKY 14NOV2006 |  TE Connectivity |
| DIMENSIONS: mm | TOLERANCES UNLESS OTHERWISE SPECIFIED: 0 PLC ±0.3 1 PLC ±0.3 2 PLC ±0.10 3 PLC ±0.10 4 PLC ±0.10 ANGLES ±0.5° FINISH | NAME: 40 WAY SHORTING BAR ARM PLUG ASSEMBLY WITHOUT SHORTING BARS LOADED PRODUCT SPEC: APPLICATION SPEC: SIZE: CAGE CODE: DRAWING NO: 00779 C=1924170 WEIGHT: SEE NOTE 5 CUSTOMER DRAWING | |
| MATERIAL: SEE CHART ON SHEET 2 | | RESTRICTED TO: SCALE: 3:1 SHEET 5 OF 5 REV: F | |