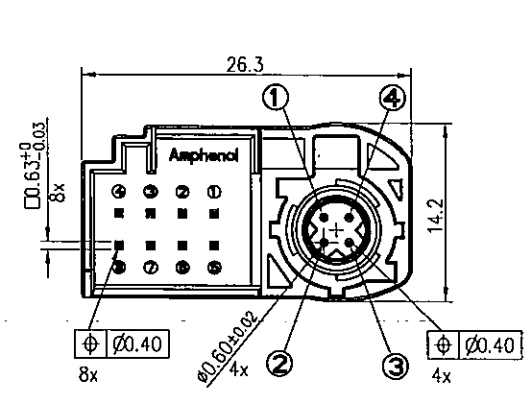


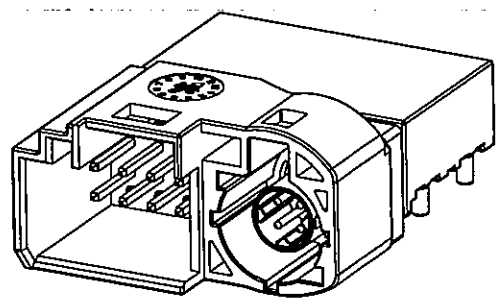
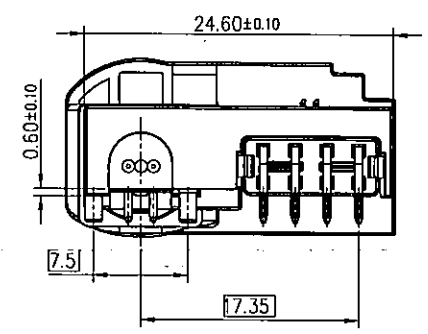
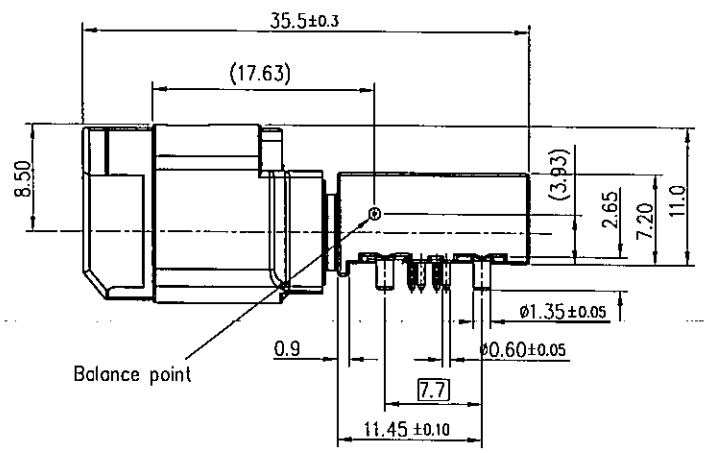
This document is the property of Amphenol Corporation and is delivered on the express condition that it is not to be disclosed, reproduced or used, in whole or in part, for manufacture or sale by anyone other than Amphenol Corporation without its prior consent, & that no right is granted to disclose or to use any information in this document.

CUSTOMER DRAWING

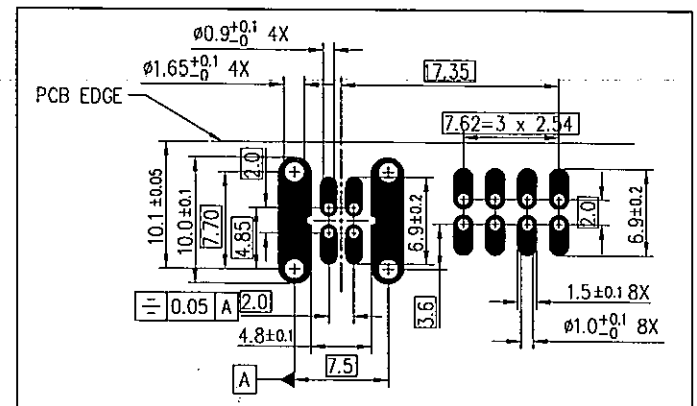
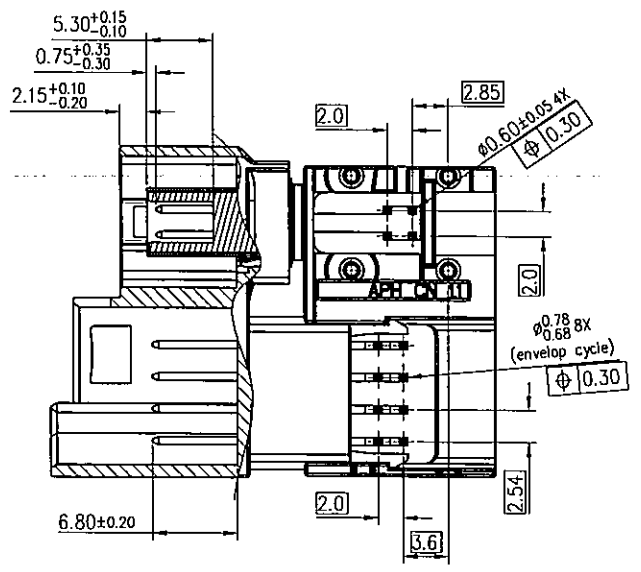
REVISIONS				
SYM	ECN	DESCRIPTION	DATE	APPROVED
4	HK7488	Use a one-piece zinc body to replace a zinc body + a brass pipe	11/21'16	JP



* HSDNCRPPCB8X as shown



* HSDNCRPPCB8X as shown



RECOMMENDED PCB LAYOUT TOP VIEW
TOLERANCE: ±0.05(PCB THICKNESS=1.6±0.15mm)



<small>UNLESS OTHERWISE SPECIFIED</small> TOLERANCES U.S. METRIC .X +/- 0.50 .XX +/- 0.20 .XXX +/- 0.10 FRACTIONS +/- ANGLES +/- 5° <small>FOR MATERIALS AND FINISHES SEE NOTES</small> REMOVE SHARP EDGES DIMENSIONS U.S. INCHES METRIC MM	<small>APPROVAL</small> DRAWN <i>Koko Yang</i> CHECKED <i>[Signature]</i> CHECKED <i>[Signature]</i> <small>DRAWING FILE :</small> <small>SAVE IN: [unclear]</small>	<small>DATE</small> 11/21/16 <small>TITLE</small> HSD + 8pos MQS R/A plug connector NORTH LOCATION <small>SIZE</small> DRAWING NO. A4 HSD NXRP PCB 8X <small>SCALE</small> 2:1 <small>SHEET</small> 1 OF 2	Amphenol <small>REV.</small> 4
	<small>ANGLE OF PROJECTION</small> 	<small>REV.</small> 4	

This document is the property of Amphenol Corporation and is delivered on the express condition that it is not to be disclosed, reproduced or used, in whole or in part, for manufacture or sale by anyone other than Amphenol Corporation without its prior consent, and that no right is granted to disclose or to use any information in this document.

REVISIONS				
SYM	ECN	DESCRIPTION	DATE	APPROVED
-	----	SEE SHEET 1/2	----	---

Table 1
keys and colors

Coding A graphite black sim. RAL9011	Coding B natural sim. RAL9001	Coding C light blue sim. RAL5012	Coding D claret violet sim. RAL4004	Coding Z water blue sim. RAL5021

Notes:

1. Material and plating:

Component	Material	Plating
Housing:	PA4T, UL94-V0, color see table1	
Dielectric:	LCP, UL94-V0, color black	
Outer contact (PCB):	Zinc alloy	Tin, 2-6um, over nickel
Cover:	Stainless Steel.	
HSD contact:	Copper alloy	Gold, 0.15um (interface); gold flash(PCB)
MQS contact:	Copper alloy	Tin, 2-6um, over nickel

4. Environmental data:

Temperature range	-40°C to +105°C
Thermal shock	DIN IEC 60068-2-14 Test Na
Temperature and humidity	USCar 2 - 4 5.6.2
Vibration (Random)	DIN IEC 60068-2-64
Mechanical Shock	DIN IEC 60068-2-27
High-Temp. Exposure	DIN IEC 60068-2-2
Soldering profile	acc. to IEC 60068-2-58; Group 3&4
2011/65/EU (RoHS)	compliant

2. Electrical data, HSD side:

Impedance, even mode	≈ 32 Ω common mode only
Impedance, differential mode	100 Ω differential signaling, for one pair or quad cable shielded
Frequency	DC to 2.0 GHz
Return loss	≥ 20 dB to 1.0 GHz
	≥ 17 dB to 2.0 GHz
Insertion loss	≤ 0.1 dB @ 1.0 GHz
Skew (between signal contacts)	≤ 20 psec. (can be reduced by layout)
Nearend-Crosstalk	≤ 30 dB
Farend-Crosstalk	≤ 35 dB
Insulation resistance	≥ 1x10 ³ MΩ
Signal contact resistance	≤ 10 mΩ
Outer contact resistance	≤ 7.5 mΩ
Test voltage	500 V rms
Working voltage	100 V rms
Test current capability at 80°C	≤ 1.5 A DC
Test current capability at 80°C MQS pins	≤ 5.0 A DC (dependent on mating connector and cable)

5. Packing

Standard	100 pcs in tape & reel
Weight	12.97 g/pc

6. Order P/N system:

HSD NXRP PCB 8X
 Coding: _____ Packing method:
 See table 1 A- Packing by tape & reel
 B- Packing by tray
 C- Single Packing

3. Mechanical data, HSD side:

Mating cycles	≥ 25
Engagement force each contact	≤ 30 N
Disengagement force each contact	≥ 5 N
Retention force latch	≥ 110 N
Coding efficiency	≥ 80 N

UNLESS OTHERWISE SPECIFIED TOLERANCES U.S. METRIC .X +/- 0.50 .XX +/- 0.25 .XXX +/- 0.10 FRACTIONS +/- 1/16 ANGLES +/- 5°	APPROVAL	DATE	Amphenol
	DRAWN Kaka Yang 11/21/16 CHECKED <i>[Signature]</i> 11/21/16 CHECKED <i>[Signature]</i>		
FOR MATERIALS AND FINISHES SEE NOTES	DRAWING FILE:		SIZE DRAWING NO. A4 HSD NXRP PCB 8X
REMOVE SHARP EDGES	ANGLE OF PROJECTION		REV. 4
DIMENSIONS U.S. INCHES METRIC MM			SCALE 2:1 SHEET 2 OF 2