

4

3



2

1

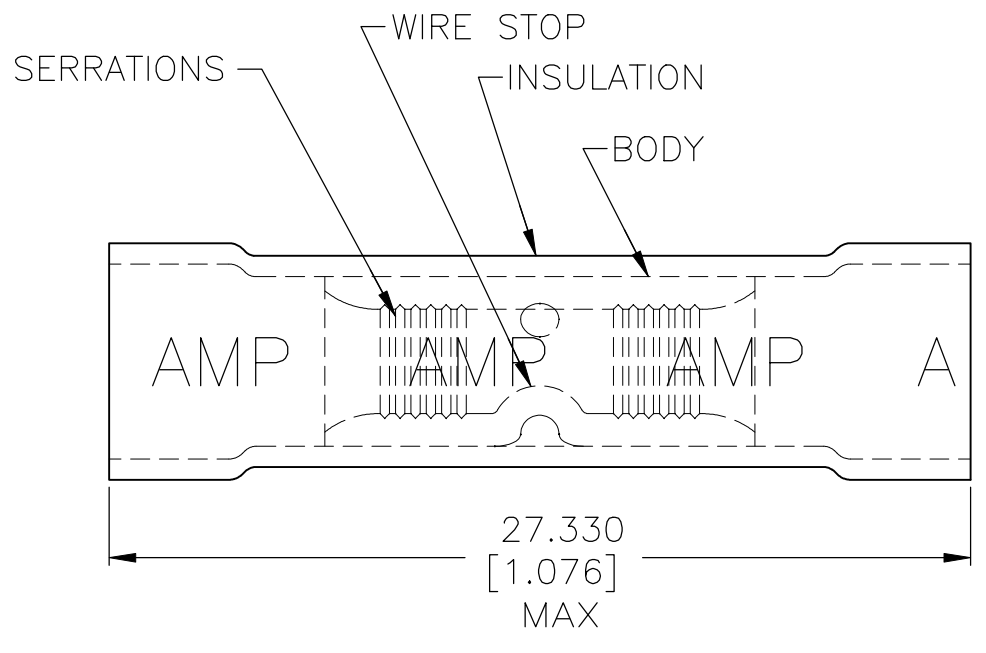
THIS DRAWING IS UNPUBLISHED.      RELEASED FOR PUBLICATION      - , - .

© COPYRIGHT - FGF      ALL RIGHTS RESERVED.


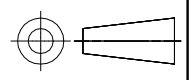
REVISIONS					
P	LTR	DESCRIPTION	DATE	DWN	APVD
	T2	REVISED PER ECO-11-004587	11MAR11	RK	HMR
	T3	REVISED PER ECO-17-014338	20APR2018	RS	DR

<b>AMP</b> WIRE RANGE	 E13288	 LR7189 Certified
22-16 AWG SOLID OR STRANDED	22-16 AWG SOLID OR STRANDED	22-16 AWG SOLID OR STRANDED

- 1 WIRE INSUL DIA,  
2.667-3.556 [.105-.140]
- 2 NOTE DELETED



100	LOOSE PIECE, BOX	8-34070-1
2500	ON TAPE, REEL	1-34070-1
1000	LOOSE PIECE	34070
QTY	PACKAGE TYPE	PART NO

AMP INCORPORATED CUSTOMER SERVICE SYSTEM		MAX RECOMMENDED OPERATING TEMPERATURE: 105° C [221° F]	THIS DRAWING IS A CONTROLLED DOCUMENT.		DWN M ELLIS 19JUL95	 TE Connectivity Ltd.				
FOR ADDITIONAL PRODUCT INFORMATION OR COPIES OF DRAWINGS AND TECHNICAL DOCUMENTS	PRODUCT INFORMATION CENTER 1-800-522-6752		DIMENSIONS: mm [INCHES]	TOLERANCES UNLESS OTHERWISE SPECIFIED:	CHK C PRESNELL 19JUL95					APVD S BORTNER 19JUL95
FOR APPLICATION TOOLING INFORMATION	TOOLING ASSISTANCE CENTER 1-800-722-1111	VOLTAGE RATING: 600V MAX 1000V (FIXTURES OR SIGNS)		0 PLC ± -	PRODUCT SPEC UL486A-B	SIZE	CAGE CODE	DRAWING NO	RESTRICTED TO	
FOR ORDER ENTRY	1-800-526-5142	CIRCULAR MIL AREA: 0.26mm <sup>2</sup> -1.65mm <sup>2</sup> [509-3260]		1 PLC ± -	2 PLC ± -	114-2161	A3	00779	C-34070	-
		SOLID OR STRANDED	MATERIAL BODY, CU ASTM B 152 INSULATION: PVC	3 PLC ± 0.127[.005]	APPLICATION SPEC	SCALE 4:1			SHEET 1 OF 1	REV T3
			FINISH BODY: TIN PLATE PER ASTM B545 INSULATION: COLOR-RED	4 PLC ± -	WEIGHT	CUSTOMER DRAWING				