

1

2

3

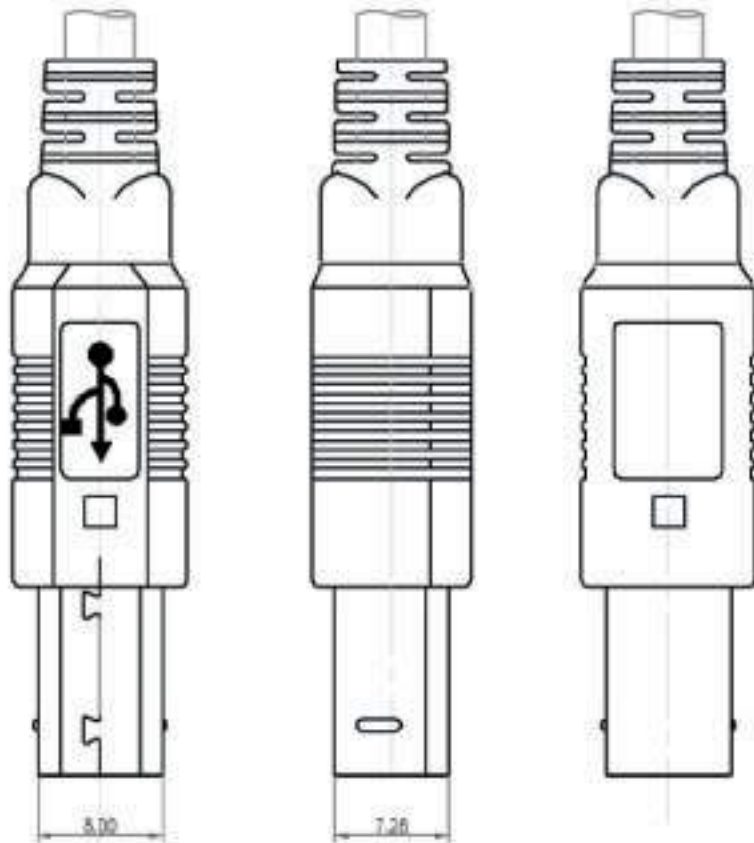
4

A

B

C

D



REV.	DESCRIPTION	DRAWN/DATE	CHECK/DATE	APPROVED/DATE
A	NEW RELEASE NPR-55007	WELLEN 08/23/98	Max 08/03/98	JOHN CHEN 08/04/98
B	REV. PER ECR-09053 Δ 1	Starly 02/23/99	Max 02/26/99	JOHN CHEN 03/01/99
C	REV. PER ECR-09292 Δ X4	Starly 09/19/99	Max 08/29/99	JOHN CHEN 10/04/99
D	REV. PER ECR-00101 Δ X1	KELLY 02/24/00	Max 02/25/00	JOHN CHEN 02/25/00
E	REV. PER SZECR-00172 Δ X4	WU 11/07/00	TOM 11/16/00	ROGER 11/17/00
F	REV. PER SZECR-01800 Δ X2	JMO 08/23/01	TOM 08/29/01	MAX 08/29/01

NOTES :

- 1.0. RATING :
- 1.1. VOLTAGE : 30 VAC (R.M.S.)
- 1.2. CURRENT : 1.0 AMPERE MAXIMUM PER CONTACT AT 30°C T-RISE
- 1.3. TEMPERATURE : -55°C TO +85°C UNLESS LIMITED BY CABLE OR OVERMOLD (-40°C TO +60°C STORAGE ;+0°C TO +40°C OPERATING)
- 2.0. ELECTRIC CHARACTERISTIC :
- 2.1. CONTACT RESISTANCE : 30 MILLIOHMS MAXIMUM INITIAL
- 2.2. INSULATION RESISTANCE : 1,000 MEGOHMS MINIMUM
- 2.3. DIELECTRIC WITHSTANDING VOLTAGE : 500 VAC AT SEA LEVEL
- 3.0. MATERIALS : ABS RESIN, UL 94V-0 RATED
- 4.0. OTHERS :
- 4.1. ALL PART MUST BE PURCHASED SEPARATELY (REFER TO TABLE II)
- 4.2. PRODUCT NUMBERING CODE: REFER TO TABLE A

GENERAL TOLERANCE	ANGLE TOLERANCE	DRAWN	DATE	ASSMANN Electronics, Inc.
X ±0.38	K ±0.410	WELLEN	07/31/98	
J ±0.25	J' ±0.27	DESIGN	DATE	TITLE A-USBPB-HOOD
JX ±0.12	JK ±0.1	MAX YANG	04/10/98	
JXX ±0.05	JK' ±0.1	CHECKED	DATE	SUBSERIES USB B TYPE SERIES
		MAX YANG	08/03/98	
WTL SEE NOTES		APPROVED	DATE	DRAWING NO. CI-LIBCT2-00-00
FINISH SEE NOTES		JOHN CHEN	08/04/98	
SCALE 3 : 1	UNIT mm			WIRE A3
SHEET 1 OF 2				REV. F

1

2

3

4

A

B

C

D

1

2

3

4

A

A

B

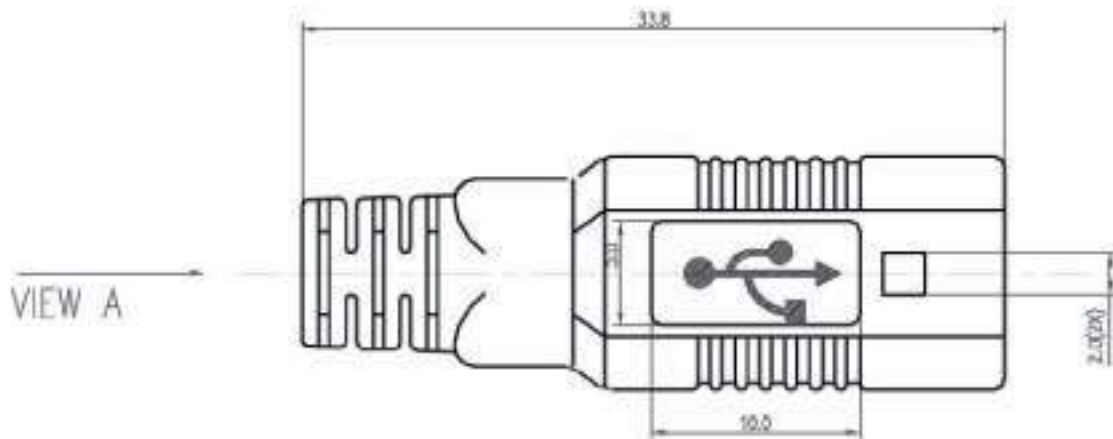
B

C

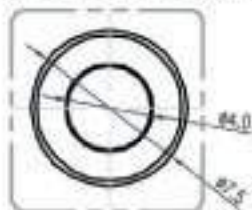
C

D

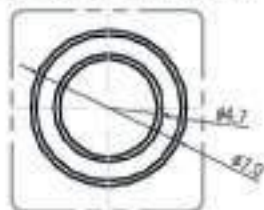
D



CABLE EXT: TYPE I
(RECOMMENDED CABLE OD=#3.4-#3.8)



CABLE EXT: TYPE II
(RECOMMENDED CABLE OD=#3.9-#4.6)



CABLE EXT: TYPE III
(RECOMMENDED CABLE OD=#4.7-#5.3)



△ CABLE EXT: TYPE IV
(RECOMMENDED CABLE OD=#4.5-#4.9)



VIEW A

GENERAL TOLERANCE	ANGLE TOLERANCE	DRAWN	DATE
X .±0.28	X .±30°	WELLEN	07/31/98
.X ±0.25	.X ±42.0°	DESIGN	DATE
.XX ±0.13	.X ±1.0°	MAX YANG	04/10/98
.XXX ±0.08	.X ±0.5°	CHECKED	DATE
		MAX YANG	08/03/98
W/L SEE NOTES	UNIT MM	APPROVED	DATE
FINISH SEE NOTES		JOHN CHEN	06/04/98
SCALE 3 : 1			
SHEET 2 OF 2			

ASSMANN Electronics, Inc.	
TITLE A-USBPB-HOOD	
USB B TYPE HOOD	
REVISED	DATE
USB B TYPE SERIES	08/04/98
FORMING NO:CS-LBC12-00-00	REV 7

1

2

3

4