

Sensor/Actuator cable - SAC-5P-1,5-600/M12FR-3L FB - 1404093

Please be informed that the data shown in this PDF Document is generated from our Online Catalog. Please find the complete data in the user's documentation. Our General Terms of Use for Downloads are valid (<http://download.phoenixcontact.com>)



Sensor/Actuator cable, 5-position, PP-EPDM halogen-free, Gray RAL 7035, Free cable end, on Socket angled M12, A-coded, with 3 LEDs, Cable length: 1.5 m, Hygienic design, with plastic knurl



Key commercial data

| | |
|------------------------|---|
| Packing unit | 0 |
| Minimum order quantity | 1 |
| GTIN |  4 046356 676472 |
| Custom tariff number | 85444290 |
| Country of origin | POLAND |

Technical data

General data

| | |
|---------------------------------|---|
| Rated current at 40°C | 4 A |
| Rated voltage | 24 V |
| Number of positions | 5 |
| Volume resistance | ≤ 5 mΩ |
| Insulation resistance | ≥ 100 MΩ |
| Length of cable | 1.5 m |
| Ambient temperature (operation) | -40 °C ... 105 °C (Male connector / female connector) |

General characteristics

| | |
|-----------------------------|---------------------------------------|
| Standards/regulations | M12 plug-in connector IEC 61076-2-101 |
| Coding | A - standard |
| Surge voltage category | II |
| Pollution degree | 3 |
| Degree of protection | IP65/IP68/IP69K |
| Insertion/withdrawal cycles | ≥ 100 |
| Torque | 0.4 Nm (M12 plug-in connector) |
| Contact material | CuSn |
| Contact surface material | Ni/Au |
| Contact carrier material | PP |

Sensor/Actuator cable - SAC-5P-1,5-600/M12FR-3L FB - 1404093

Technical data

General characteristics

| | |
|-----------------------|--------|
| Material of grip body | PP |
| Material, knurls | PP |
| Sealing material | FKM |
| Status display | 3 LEDs |

Conductor data

| | |
|---|---|
| Cable type | Halogen-free PP gray |
| Cable type (abbreviation) | 600 |
| Cable abbreviation | Li9Y9Y |
| Conductor cross section | 5x 0.34 mm ² (signal line) |
| AWG signal line | 22 |
| Conductor structure signal line | 42x 0.10 mm |
| Core diameter including insulation | 1.27 mm ±0.02 mm (signal line) |
| Thickness, insulation | ≥ 0.21 mm (Core insulation) |
| Wire colors | Brown, white, blue, black, gray |
| Overall twist | 5 cores, twisted |
| Length of twist, overall twist | 55 mm |
| External sheath, color | Gray RAL 7035 |
| Outer sheath thickness | Approx. 0.7 mm |
| External cable diameter D | 5 mm ±0.15 mm |
| Minimum bending radius, fixed installation | 5 x D |
| Minimum bending radius, flexible installation | 10 x D |
| Cable weight | 34 kg/km |
| Outer sheath, material | PP-EPDM |
| Material conductor insulation | PP |
| Conductor material | Bare Cu litz wires |
| Conductor resistance | 58 Ω/km (At an ambient temperature of 20°C) |
| Nominal voltage, conductor | ≤ 300 V AC |
| Test voltage, conductor | ≥ 3000 V AC |
| Special properties | FDA compliant |
| Halogen-free | in accordance with DIN VDE 0472 part 815 |
| Ambient temperature (operation) | -40 °C ... 105 °C (cable, fixed installation) |

Classifications

ETIM

| | |
|----------|----------|
| ETIM 3.0 | EC001855 |
| ETIM 4.0 | EC001855 |
| ETIM 5.0 | EC001855 |

UNSPSC

| | |
|--------------|----------|
| UNSPSC 11 | 31251501 |
| UNSPSC 12.01 | 31251501 |

Sensor/Actuator cable - SAC-5P-1,5-600/M12FR-3L FB - 1404093

Classifications

UNSPSC

| | |
|---------------|----------|
| UNSPSC 13.2 | 31251501 |
| UNSPSC 6.01 | 31251501 |
| UNSPSC 7.0901 | 31251501 |

eCl@ss

| | |
|------------|----------|
| eCl@ss 4.0 | 27060306 |
| eCl@ss 4.1 | 27060306 |
| eCl@ss 5.0 | 27061801 |
| eCl@ss 5.1 | 27061801 |
| eCl@ss 6.0 | 27061801 |
| eCl@ss 7.0 | 27061801 |

Accessories

Accessories

Tools

Cable-cutting tool - CUTFOX-S VDE - 1212207



Diagonal cutter for copper and aluminum conductors, VDE-tested

Stripping tool - WIREFOX SAC - 1212623



Stripping pliers, for halogen-free sensor/actuator cables (SAC cables), with PUR and PVC insulation, from Ø of 4.4 to 7 mm, any stripping length

Stripping tool - WIREFOX 10 - 1212150

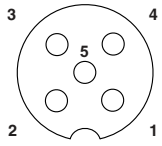


Stripping tool, for cables and conductors from 0.02 - 10 mm², self-adjusting, stripping length of up to 18 mm, cutting capacity of up to 10 mm² stranded/1.5 mm² solid, replaceable stripping blade

Drawings

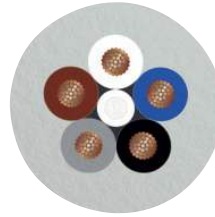
Sensor/Actuator cable - SAC-5P-1,5-600/M12FR-3L FB - 1404093

Schematic diagram



Pin assignment M12 socket, 5-pos., A-coded, socket side view

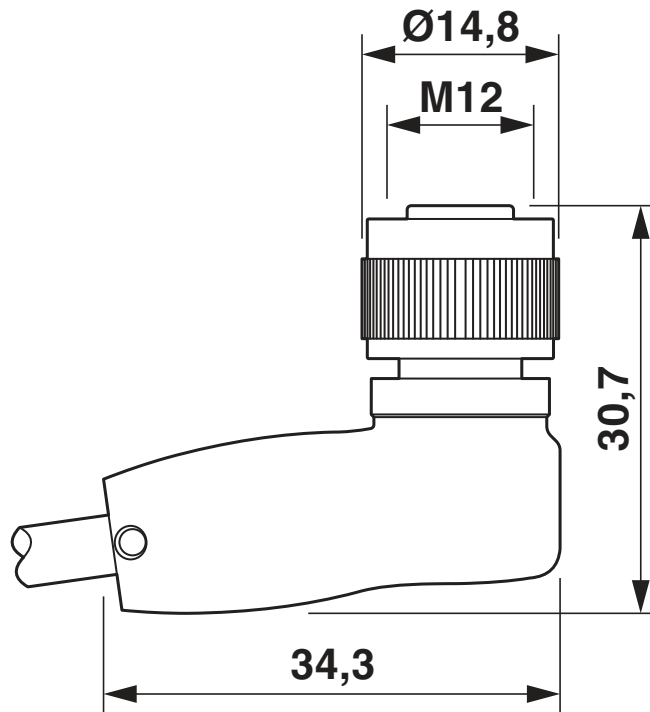
Cable cross section



Halogen-free PP gray [600]

Sensor/Actuator cable - SAC-5P-1,5-600/M12FR-3L FB - 1404093

Dimensioned drawing



Sensor/Actuator cable - SAC-5P-1,5-600/M12FR-3L FB - 1404093

Circuit diagram

