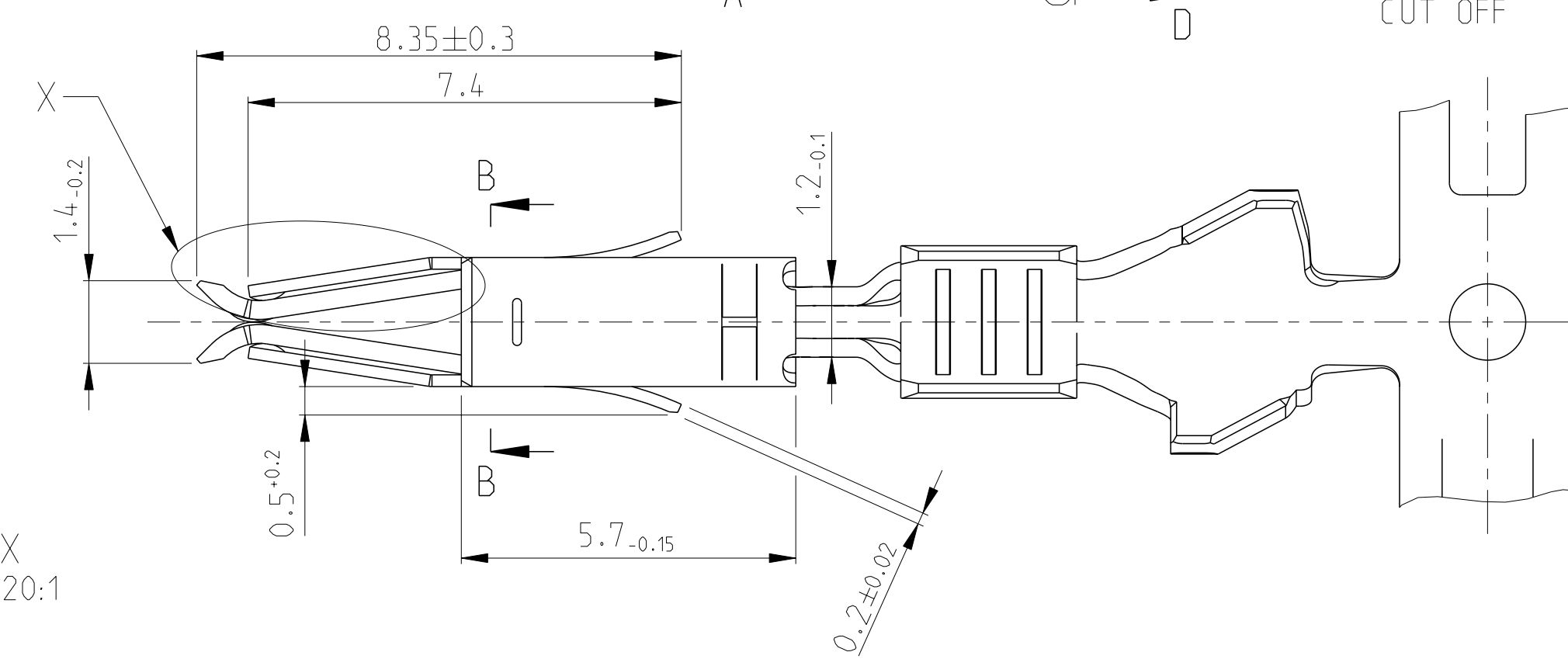
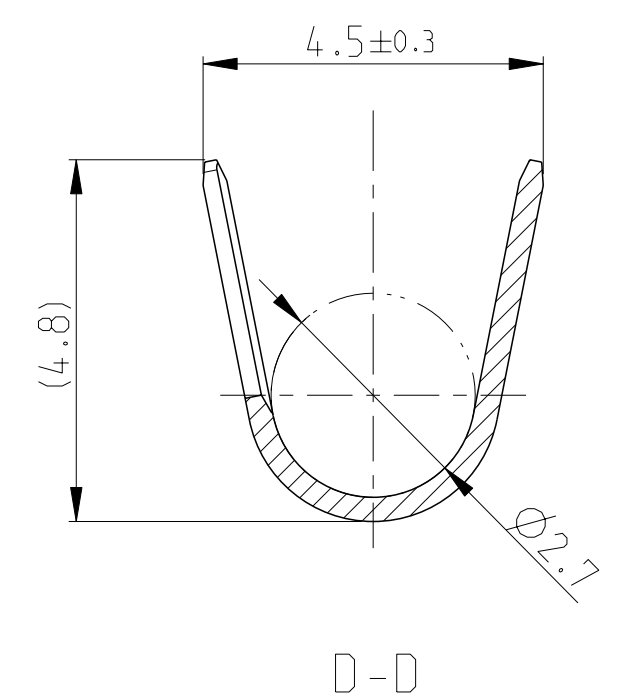
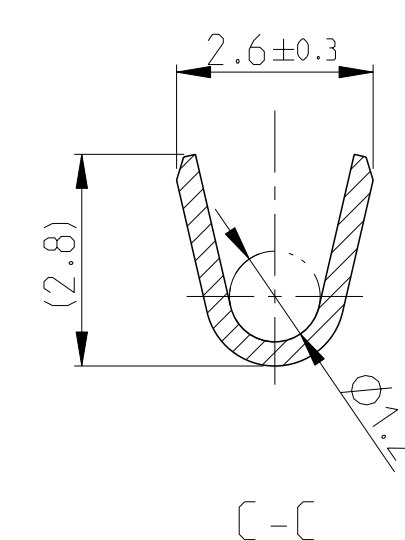
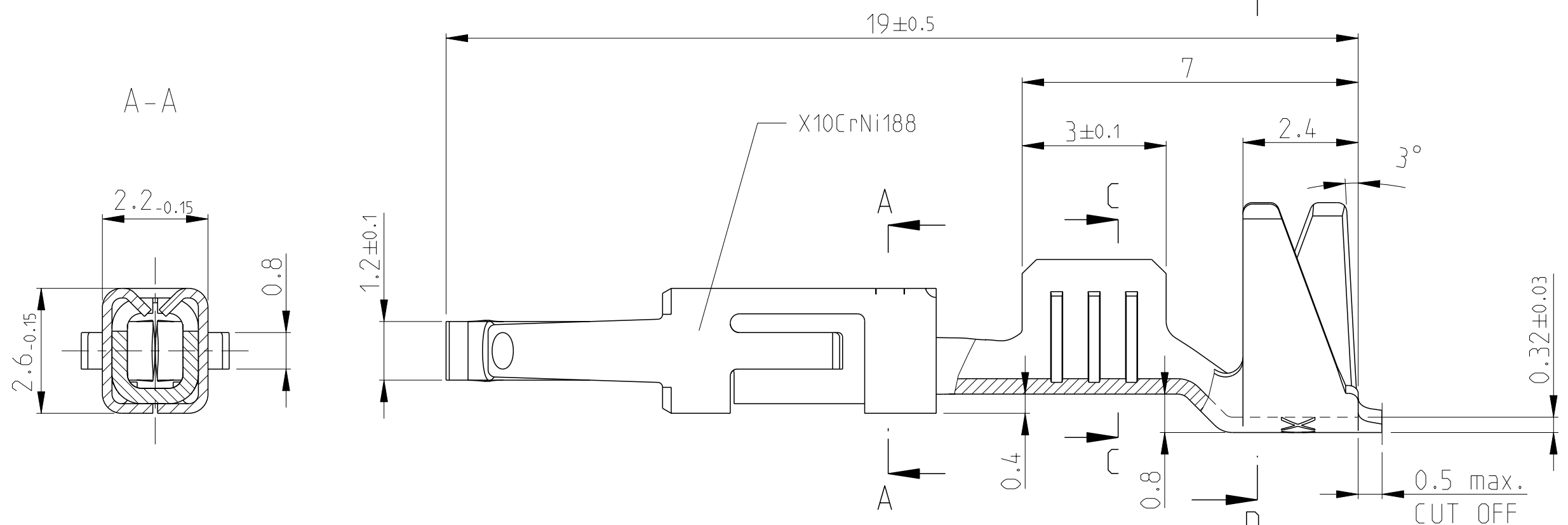


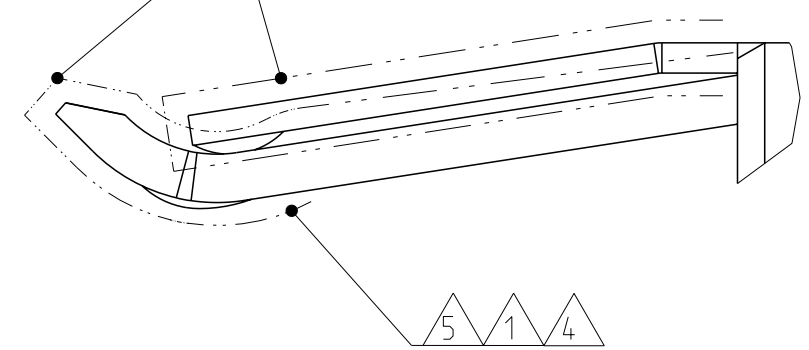
LOC	DIST	REVISIONS			
P	LTR	DESCRIPTION	DATE	DWN	APVD
A1	-				
N5		PRODUCT SPEC CORRECTED	23JUN2014	Ho.	Eder
N6		ECR-15-012070	13AUG2015	JBH	BK
N7		OBSOLETE PNS 962876-6, -7	11MAR2022	KMD	JC
N8		Added note 7 in the table in gap VERSION for PN 962876-1/-2	24OCT2022	FRAN	SCHI

7 KONVENTIONELL

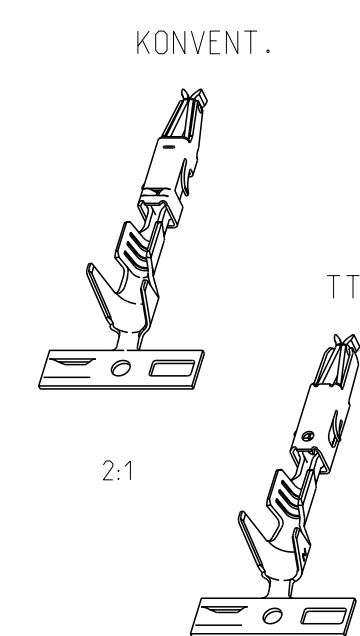
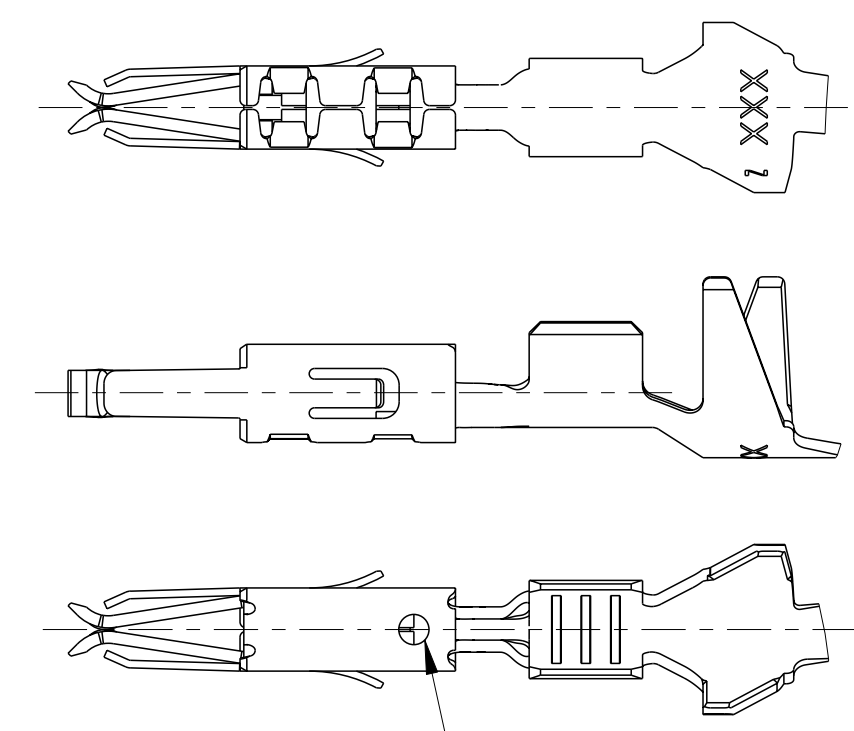


- 1 SELECTIVE GOLD PLATED MIN. 0.8 µm OVER NI
selektiv vergoldet 0.8 µm ueber Ni
- 2 TIN PLATED MIN. 0.2 µm OVER NI
verzinkt 0.2 µm ueber Ni
- 3 CONTACT SURFACE SEL. GOLD PLATED MIN. 0.8 µm OVER NI
CANTILEVER SPRING COMPLETELY GOLD PLATED ON BOTH SIDES
sel. vergoldet auf der Kontaktobenseite 0.8 µm min. ueber Ni
Ueberfeder komplett auf beiden Seiten vergoldet
- 4 GAL. TIN PLATED MIN. 1.0 µm OVER NI
gal. verzinkt 1.0 µm ueber Ni
- 5 SELECTIVE GOLD PLATED MIN. 1.27 µm OVER NI
selektiv vergoldet 1.27 µm min. ueber Ni
- 6 WIRE RANGE : 0.5 - 1.0 mm²
INSULATION-Ø: 2.8 mm (SINGLE WIRE SEAL)
Drahtgrossenbereich: 0.5 - 1.0 mm²
Isolations-Ø: 2.8 mm (Einzeldichtung)

printed on 24 Oct 2022 15:34 (Mitteleurop from TE220462)



8 TWO TRACK DIE
M 5:1



VERSION	SURFACE / Oberflaeche	MATERIAL	PART NO	REV			
8	7	5	2	CuFe2	962876-7	B	
8	7	3	4	2	CuSn4	962876-6	N
8	7	1	2	CuFe2	962876-5	N	
8	7	1	2	CuSn4	962876-3	N	
8	7	PRETIN / vorverzinkt		CuFe2	962876-2	N	
8	7	PRETIN / vorverzinkt		CuSn4	962876-1	N	

THIS DRAWING IS A CONTROLLED DOCUMENT.

DWN: R.Hofer 05-JAN-89
CHK: L.Nix 05-APR-89
APVD: M.Bleicher 25-JUN-08

DIMENSIONS: mm
TOLERANCES UNLESS OTHERWISE SPECIFIED:
0-PLC ±
1-PLC ±
2-PLC ±0.2
3-PLC ±
4-PLC ±
ANGLES ±2°
FINISH

MATERIAL: -

WEIGHT: 0.3 g

Customer Drawing

SCALE: 10:1

SHEET 1 OF 1

REV N8

STE TE Connectivity

MICRO TIMER 2 CONTACT WITH DOUBLE LOCKING LANCE mit doppelter Rastfeder

SIZE: A2
CAGE CODE: 00779
DRAWING NO: C-962876

RESTRICTED TO: -