

AZ762H

16 A SPDT MINIATURE HIGH TEMPERATURE POWER RELAY

FEATURES

- High ambient operating temperature (105°C)
- Dielectric strength 5000 Vrms
- Low cost
- Epoxy sealed versions available
- 16 Amp switching (standard coil only)
- Class F system standard
- Isolation spacing greater than 10 mm
- UL, CUR file E44211, VDE40006031



CONTACTS

Arrangement	SPDT (1 Form C) SPST (1 Form A)
Ratings	Resistive load: Max. switched power: 4000 VA (Sensitive Version: 2500 VA) Max. switched current: 16 A (Sensitive version: 10A) Max. switched voltage: 125* VDC or 440 VAC *Note: If switching voltage is greater than 30VDC, special precautions must be taken. Please contact the factory.
Rated Load UL, CUR	(Standard Coil) 18.4 A at 250 VAC resistive, 20k cycles (NO only) 105°C 16 A at 277 VAC general use, 100k cycles 105°C 5 A at 30 VDC resistive 100k cycles 105°C (Sensitive Coil) 10 A at 277 VAC general use, 100k cycles 105°C
VDE	16 A at 250 VAC resistive, 105°C Standard coils Class F Only 10 A at 250 VAC resistive, 105°C Sensitive coils Class F Only
Material	Silver nickel. Gold plating available
Resistance	< 50 milliohms initially (using 6 V 1 A method)

COIL

Power	
At Pickup Voltage (typical)	196 mW Standard 140 mW Sensitive
Max. Continuous Dissipation	1.7 W at 20°C (68°F) ambient
Temperature Rise	26°C (47°F) at nominal coil voltage (standard coil) 17°C (31°F) at nominal coil voltage (sensitive coil)
Max. Temperature	155°C (311°F) Class F

GENERAL DATA

Life Expectancy Mechanical Electrical	Minimum operations 1 x 10 ⁷ 1 x 10 ⁵ at 16 A 277 VAC general use
Operate Time (typical)	7 ms at nominal coil voltage
Release Time (typical)	3 ms at nominal coil voltage (with no coil suppression)
Dielectric Strength (at sea level for 1 min.)	5000 Vrms coil to contact 1000 Vrms between open contacts
Insulation Resistance	1000 megohms min. at 20°C 500 VDC 50% RH
Dropout	Greater than 10% of nominal coil voltage
Ambient Temperature Operating Storage	At nominal coil voltage -40°C (-40°F) to 105°C (221°F) -40°C (-40°F) to 155°C (266°F)
Vibration	0.062" DA at 10–55 Hz
Shock	10 g
Enclosure	P.B.T. polyester
Terminals	Tinned copper alloy, P.C.
Max. Solder Temp.	270°C (518°F)
Max. Solder Time	5 seconds
Max. Solvent Temp.	80°C (176°F)
Max. Immersion Time	30 seconds
Weight	14 grams

NOTES

1. All values at 20°C (68°F).
2. Relay may pull in with less than "Must Operate" value.
3. Specifications subject to change without notice.

AMERICAN ZETTLER, INC.

10/3/13

AZ762H

RELAY ORDERING DATA

COIL SPECIFICATIONS - STANDARD RELAYS				ORDER NUMBER*	
Nominal Coil VDC	Must Operate VDC	Max. Continuous VDC	Coil Resistance $\pm 10\%$	Unsealed	Sealed
5	3.5	6.5	62	AZ762H-1CB-5DF	AZ762H-1CB-5DEF
6	4.2	7.8	90	AZ762H-1CB-6DF	AZ762H-1CB-6DEF
9	6.3	11.7	202	AZ762H-1CB-9DF	AZ762H-1CB-9DEF
12	8.4	15.6	360	AZ762H-1CB-12DF	AZ762H-1CB-12DEF
18	12.6	23.4	810	AZ762H-1CB-18DF	AZ762H-1CB-18DEF
24	16.8	31.2	1440	AZ762H-1CB-24DF	AZ762H-1CB-24DEF
48	33.6	62.4	5760	AZ762H-1CB-48DF	AZ762H-1CB-48DEF
60	42.0	78.0	7500	AZ762H-1CB-60DF	AZ762H-1CB-60DEF

COIL SPECIFICATIONS - SENSITIVE RELAYS				ORDER NUMBER*	
Nominal Coil VDC	Must Operate VDC	Max. Continuous VDC	Coil Resistance $\pm 10\%$	Unsealed	Sealed
5	3.75	6.5	100	AZ762H-1CB-5DSF	AZ762H-1CB-5DSEF
6	4.50	7.8	144	AZ762H-1CB-6DSF	AZ762H-1CB-6DSEF
9	6.75	11.7	324	AZ762H-1CB-9DSF	AZ762H-1CB-9DSEF
12	9.00	15.6	576	AZ762H-1CB-12DSF	AZ762H-1CB-12DSEF
18	13.50	23.4	1296	AZ762H-1CB-18DSF	AZ762H-1CB-18DSEF
24	18.00	31.2	2304	AZ762H-1CB-24DSF	AZ762H-1CB-24DSEF
48	36.00	62.4	9216	AZ762H-1CB-48DSF	AZ762H-1CB-48DSEF
60	45.00	78.0	12857	AZ762H-1CB-60DSF	AZ762H-1CB-60DSEF

* For 1 form A contacts substitute "-1AB" for "-1CB." For gold plated contacts add suffix "A."

AMERICAN ZETTLER, INC.

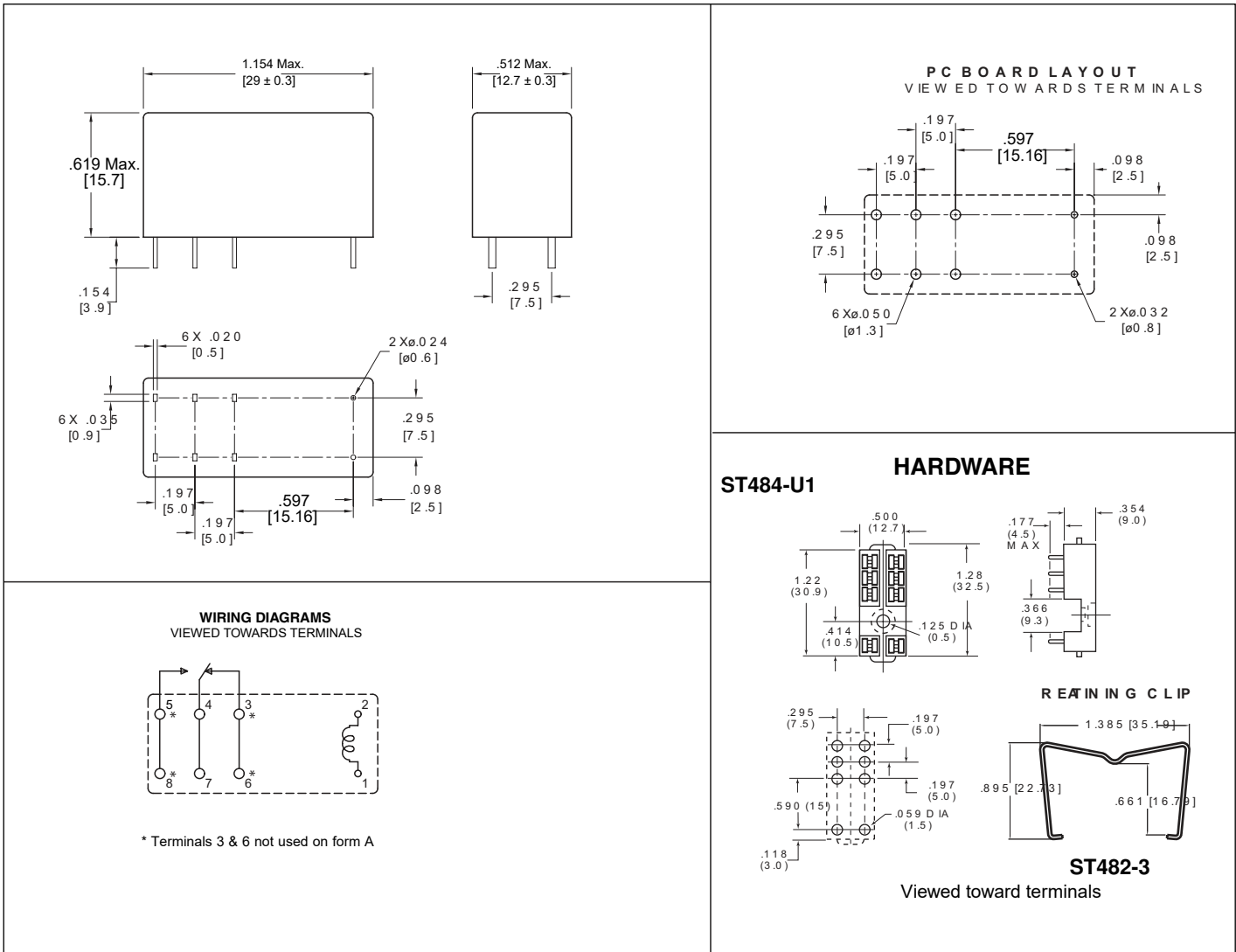
10/3/13

AZ762H

HARDWARE ORDERING DATA

DESCRIPTION	ORDER NUMBER	DESCRIPTION	ORDER NUMBER
Socket	ST484-U1	Retainer	ST482-3

MECHANICAL DATA



AMERICAN ZETTLER, INC.

10/3/13

PHONE: (949) 831-5000

www.azettler.com

E-MAIL: SALES@AZETTLER.COM

This specification provides an overview of the most significant part features. Any individual applications and operating conditions are not taken into consideration. It is recommended to test the product under application conditions. Responsibility for the application remains with the customer. Proper operation and service life cannot be guaranteed if the part is operated outside the specified limits.