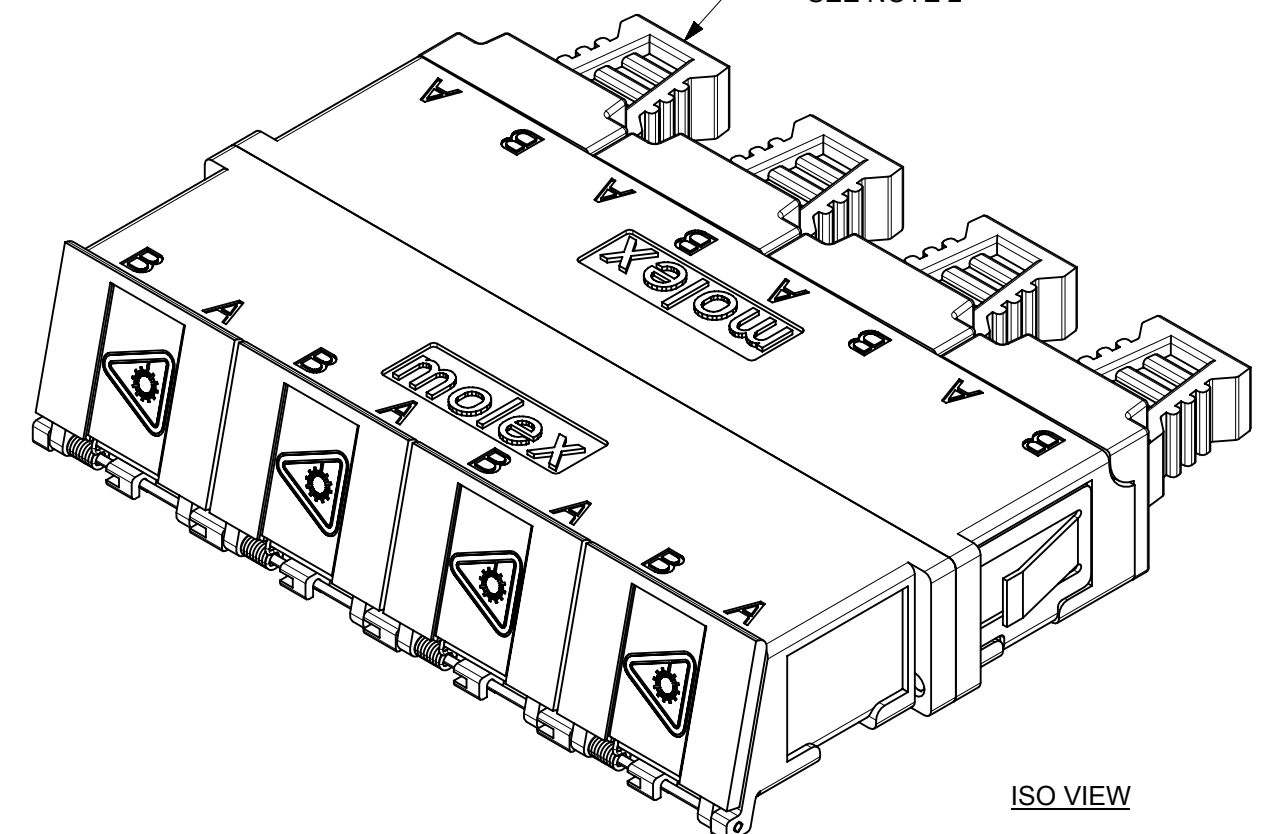
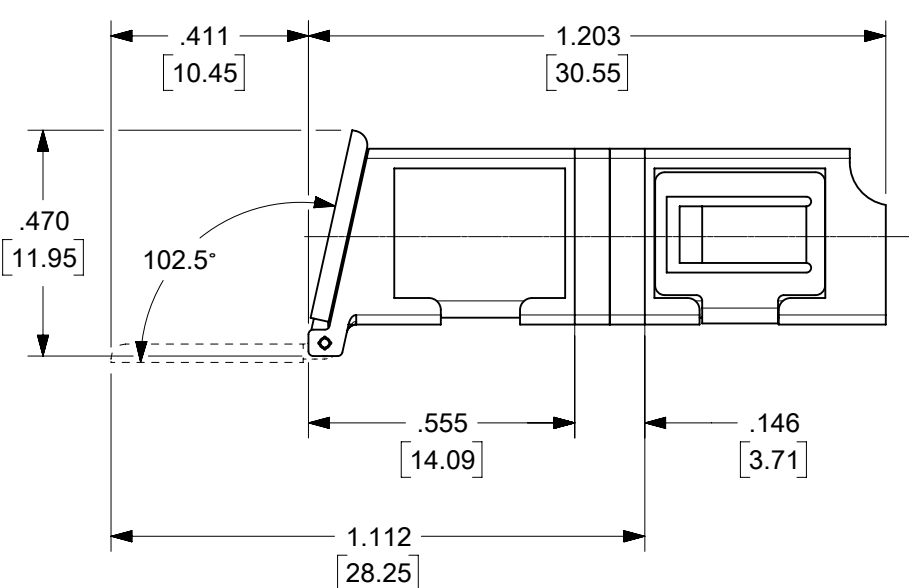
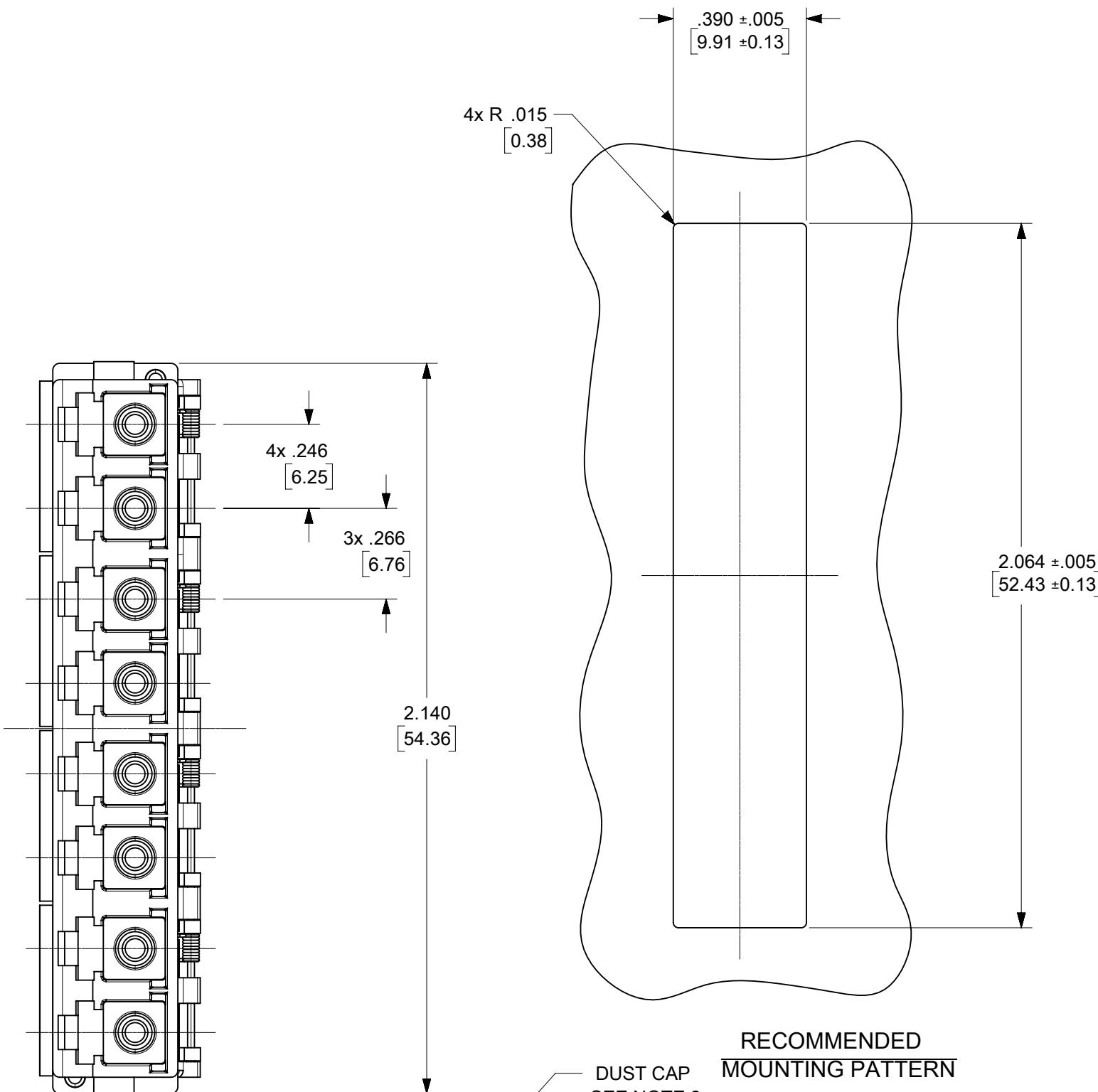
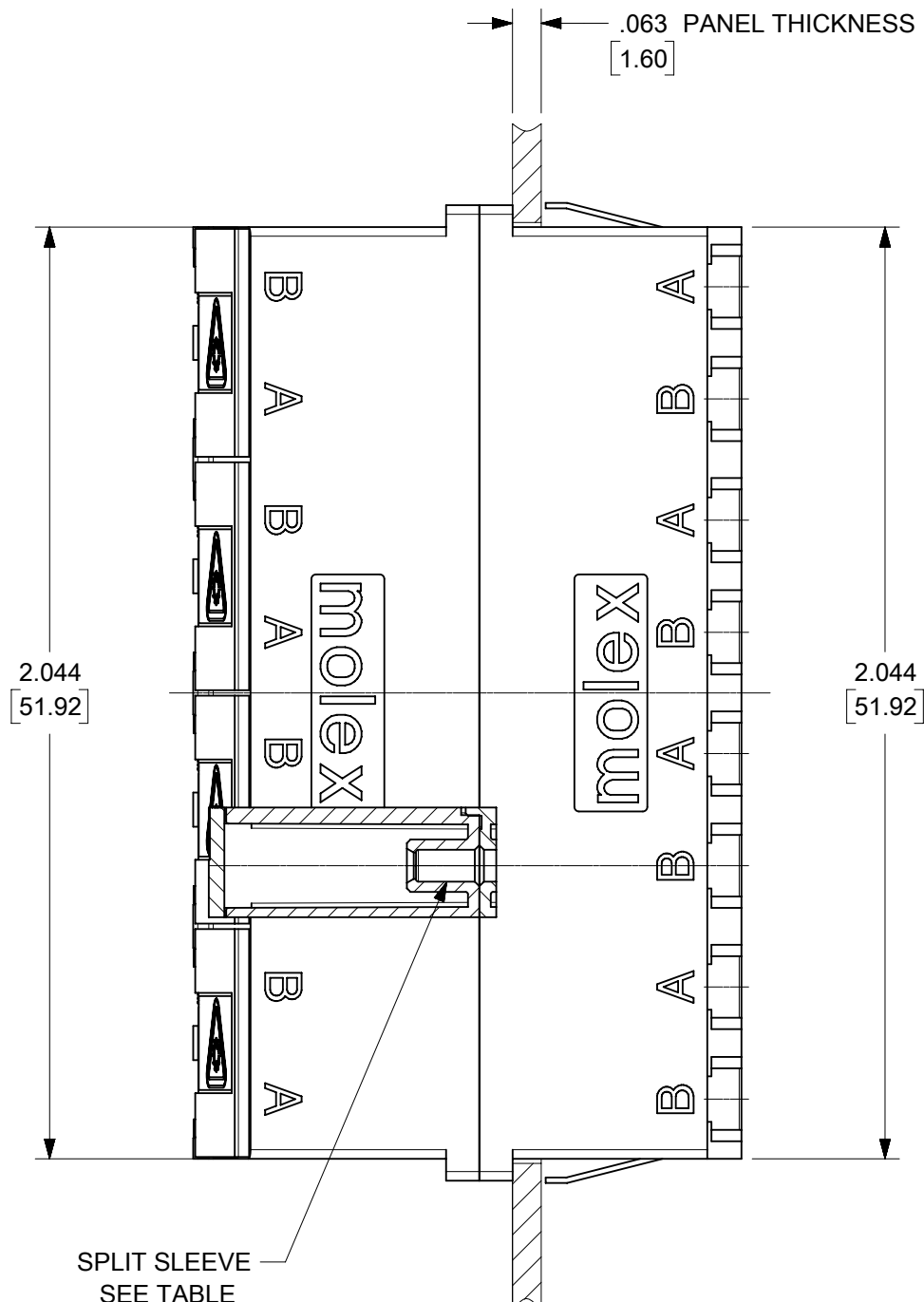
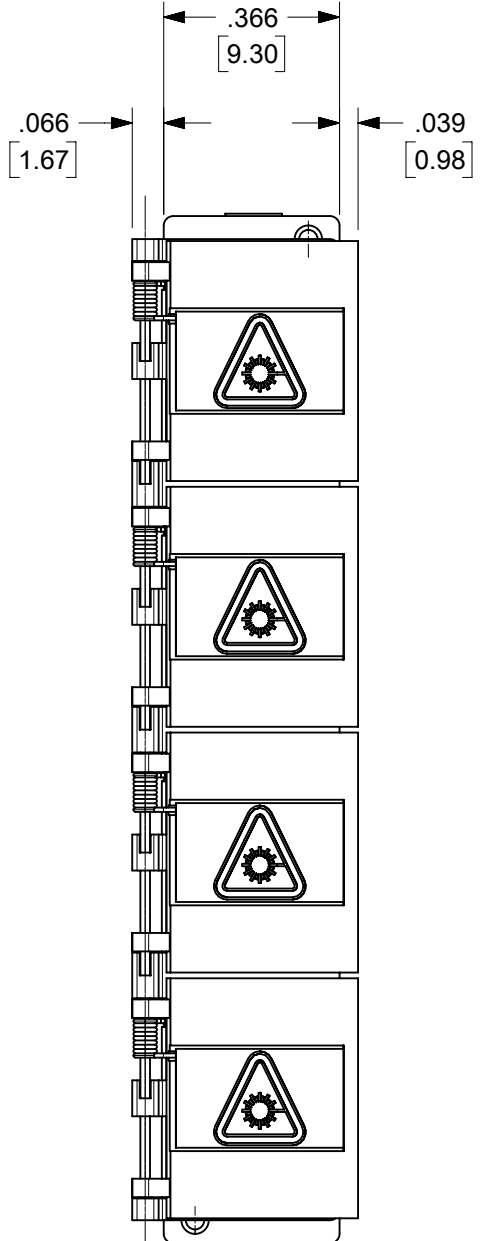


LC 8 PORT ADAPTER		SPLIT SLEEVE MATERIAL
P/N	COLOR	
106121-0300	BLUE	CERAMIC
106121-0302	BEIGE	
106121-0303	AQUA	



NOTES:
 1. ALL DIMENSIONS ARE FOR REFERENCE.
 2. DUST CAPS SHOWN IN ISO VIEW ONLY.

THIS DRAWING CONTAINS INFORMATION THAT IS PROPRIETARY TO MOLEX ELECTRONIC TECHNOLOGIES, LLC AND SHOULD NOT BE USED WITHOUT WRITTEN PERMISSION									
DIMENSION UNITS		SCALE		CURRENT REV DESC:					
IN/MM		2.5:1		moLEX					
GENERAL TOLERANCES (UNLESS SPECIFIED)				LC 8 PORT ADAPTER SNAP MOUNT W/SHUTTERS					
				PRODUCT CUSTOMER DRAWING					
4 PLACES ±				EC NO: 652962		DRWN: SKRISHNAMU01		2021/05/28	
3 PLACES ±				DRWN: WCHEN		CHK'D: WCHEN		2021/08/24	
2 PLACES ±				APPR: WCHEN		APPR: WCHEN		2021/08/24	
1 PLACE ±				INITIAL REVISION:					
0 PLACES ±				DRWN: YBELENIY		2011/09/07		DOCUMENT NUMBER	
ANGULAR TOL ± °				APPR: WCHEN		2012/02/06		SD-106121-0300	
DRAFT WHERE APPLICABLE MUST REMAIN WITHIN DIMENSIONS				THIRD ANGLE PROJECTION		DRAWING		SERIES	
				C-SIZE		106121		MATERIAL NUMBER	
				SEE TABLE		GENERAL MARKET		CUSTOMER	
								SHEET NUMBER	
								1 OF 1	

DOCUMENT STATUS	P1	RELEASE DATE	2021/08/24	01:00:40
-----------------	----	--------------	------------	----------