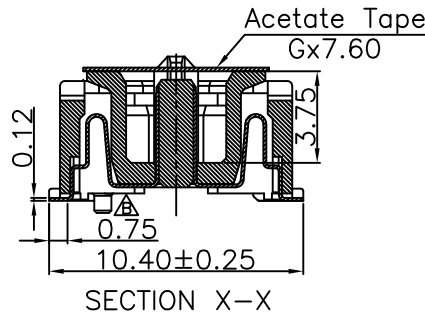
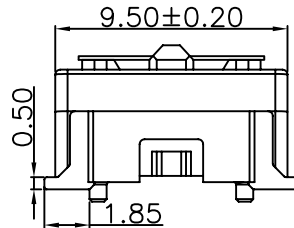
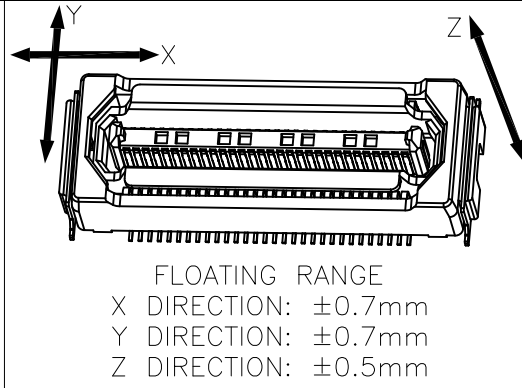


### Ordering Information

G ZC201 - XX XX B 001 C 1

No. Of Pins Per Row: 30,40  
 Standard Plating: 02=Gold Flash, 09=3u"-5u" AU/GoldFlash, N5=6u"-8u" AU/1u" AU  
 Color: 1=Black  
 Standard Packing: H=Acetate tape+Tape&Reel

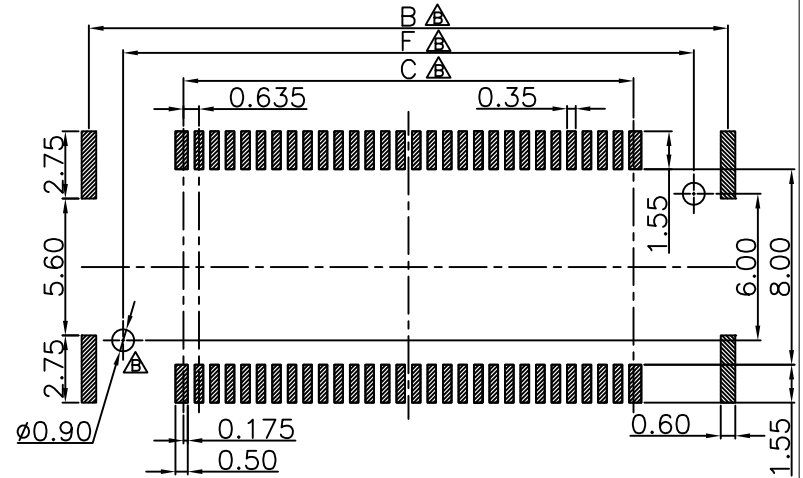


REV.	LOCAS.	DESCRIPTION	DATE	DRAWN
A	NEW	INTERIM INITIAL RELEASE.	2020.12.16	Cao Liang
B	△	Add Product Specifications And The cylinders change direction.	2021.02.05	Cao Liang

**Specifications**  
 Current Rating:0.5Amp  
 Insulation Resistance:500MΩ Min.  
 Dielectric Withstanding Voltage:200VAC  
 Contact Resistance:120mΩ Max.  
 Operating Temperature:-40°C to +105°C  
**Materials**  
 Contact Material:Phosphor Bronze  
 Insulator Material:High Temperature Thermoplastic, UL 94V-0 LCP or the equivalent material  
 All materials must meet GREENCONN hazardous substances control standards.

No. of PIN/ROW	Dimension Information						
	A	B	C	D	E	F	G
2x30	27.35	26.15	18.415	20.65	19.25	23.35	18.00
2x40	33.70	32.50	24.765	27.00	25.60	29.70	24.35

Recommended P.C.Board Layout  
 (Tolerance:±0.05)



**Greenconn**  
 Website:www.greenconn.com  
 E-mail:sales@greenconn.com

3RD.ANG PROJ.		GENERAL TOLERANCE	
 PAGE. 1/1	 SCALE. 3:1	X.*±5.0°	X.±0.30
		.X.*±3.0°	.X.±0.25
		.XX.*±2.0°	.XX±0.15
		.XXX.*±1.0°	.XXX±0.10

DESIGNED: Cao Liang	DATE:2021.02.05
CHECKED:	DATE:
APPROVED:	DATE:

DWG. NO.	GGZC201-CB1CS
PART NO.	GGZC201-XXXXB001C1SX

TITLE.  
 0.635mm PITCH BTB  
 FLOATING CONNECTOR