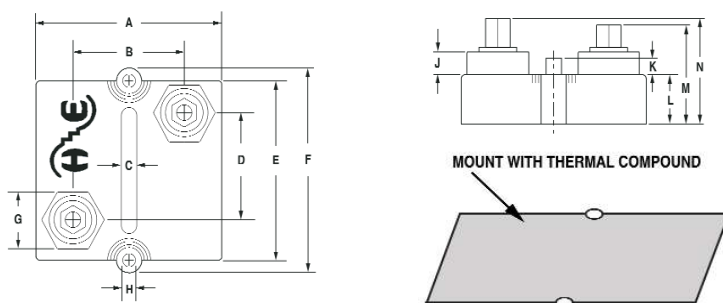
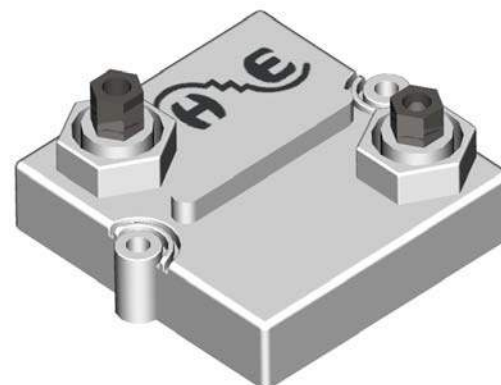




# HPK600 MEDIUM VOLTAGE CHASSIS MOUNT RESISTORS

600 WATTS

Huntington Electric's **HPK600 Series** of power resistors are state-of-the-art 600 Watt resistors that are compact and available in various resistance values. Ideal for variable speed drives, power supplies, robotics, and elevator controls or where an application requires advanced packaging in a high dissipation case. Designed to dissipate **600 Watts** into panel mounts via a condensed footprint at voltages up to **5000 VDC**.



*POWER RATING is based on 600 W at 85 °C heat sink temperature. Use of thermal conduction to heat sink is required. Flatness of cooling plate must be better than 0.05 mm overall, and the roughness should not exceed 6.4 um.*

DIMENSION INFORMATION												
A	B	C	D	E	F	G	H	J	K	L	M	N
±.03 (0.8)	±.008 (0.2)	±.02 (0.5)	±.008 (0.2)	±.008 (0.2)	±.03 (0.8)	±.02 (0.5)	±.005 (0.1)	±.02 (0.5)	±.02 (0.5)	±.02 (0.5)	±.02 (0.5)	±.02 (0.5)
2.362 (60.0)	1.417 (36.0)	0.197 (5.0)	1.339 (34.0)	2.244 (57.0)	2.560 (65.0)	0.709 (18.0)	0.164 (4.2)	0.276 (7.0)	0.197 (5.0)	0.591 (15)	1.181 (30.0)	1.260 (32.0)

ORDER INFORMATION		
<b>HPK600 - K - 100R</b>		
TYPE	TOLERANCE	RESISTANCE
	K = 10%, J = 5%	100R = 100 OHMS

STANDARD RESISTANCES			
2	3	4	5
10	50	75	100
500	1000	5000	10000

ENGINEERING SPECIFICATIONS	
Operating Temperature	-55 C to 150 C
Temp. Coefficient	± 150 PPM/°C
Power Rating	600 Watts at 85 °C heat sink
Electric Strength Voltage	6 KVAC, 50 HZ
Insulation Resistance	10 GΩ min @ 500 V
Max Working Voltage	5000 VDC
Short Time Overload	1000 W @70 C for 10 sec
Voltage Impulse	12 KV BIL
Capacitance/Mass	110 pF
Parallel Capacitance	40 pF
Inductance	80 nH
Max Mounting Torque	1.8 Nm
Max Terminal Torque	2 Nm
Creeping Distance	42 mm Minimum
Air Distance	14 mm Minimum

## GENERAL CHARACTERISTICS

- RESISTOR:** Unique designed for low inductance and capacitance values. Stable element covering high wattages and pulsed loadings.
- CASE MATERIAL:** Epoxy filled UL94-V0 with large creep distance to mass.
- TERMINALS:** Convenient electrical connection with M4 or M5 screws.
- DIMENSIONS:** 2.24" X 2.55" (56.9 X 64.8 mm)