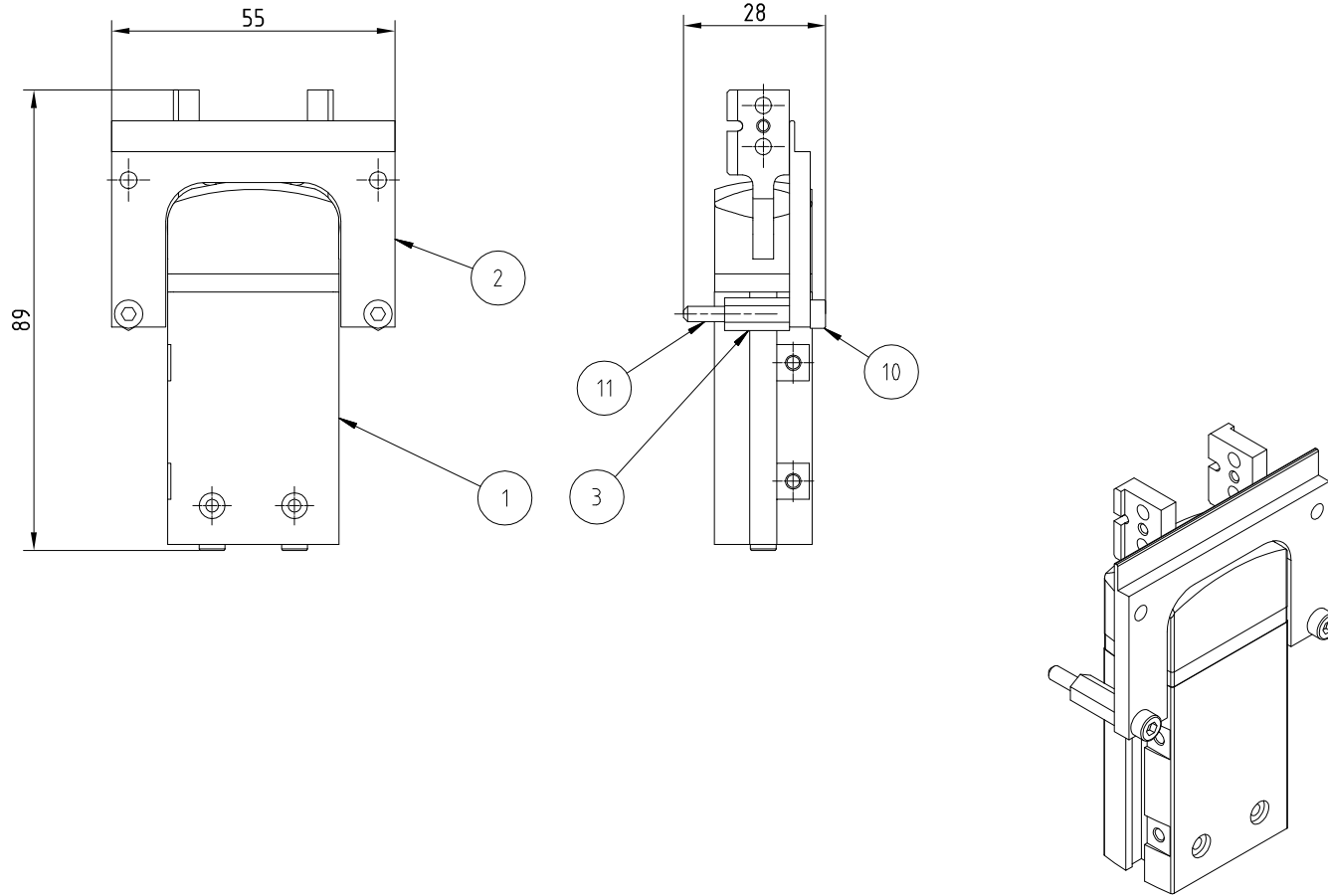


THIS DRAWING IS UNPUBLISHED.

RELEASED FOR PUBLICATION

© COPYRIGHT - BY TYCO ELECTRONICS CORPORATION. ALL INTERNATIONAL RIGHTS RESERVED.

LDC		DIST		REVISIONS			
P	LTR	DESCRIPTION		DATE	DWN	APVD	
	D	ECR-14-011924		07AUG2014	BM	MD	



THIS DRAWING IS A CONTROLLED DOCUMENT.		DWN GuG Potz 01DEC2008	STE TE Connectivity	
DIMENSIONS: mm		CHK M.Dietzer 05JUL2012		
TOLERANCES UNLESS OTHERWISE SPECIFIED:		APVD M.Dietzer 05JUL2012	NAME RADIAL GRIPPER Radialgreifer	
0 PLC ± - 1 PLC ± - 2 PLC ± - 3 PLC ± - 4 PLC ± - ANGLES ± -		PRODUCT SPEC -	RESTRICTED TO -	
MATERIAL		FINISH	APPLICATION SPEC -	SIZE A3
		WEIGHT 0,08kg	CAGE CODE 00779	DRAWING NO G=7-1481233-1
CUSTOMER DRAWING			SCALE 1:1	SHEET 1 OF 2
			REV D	

