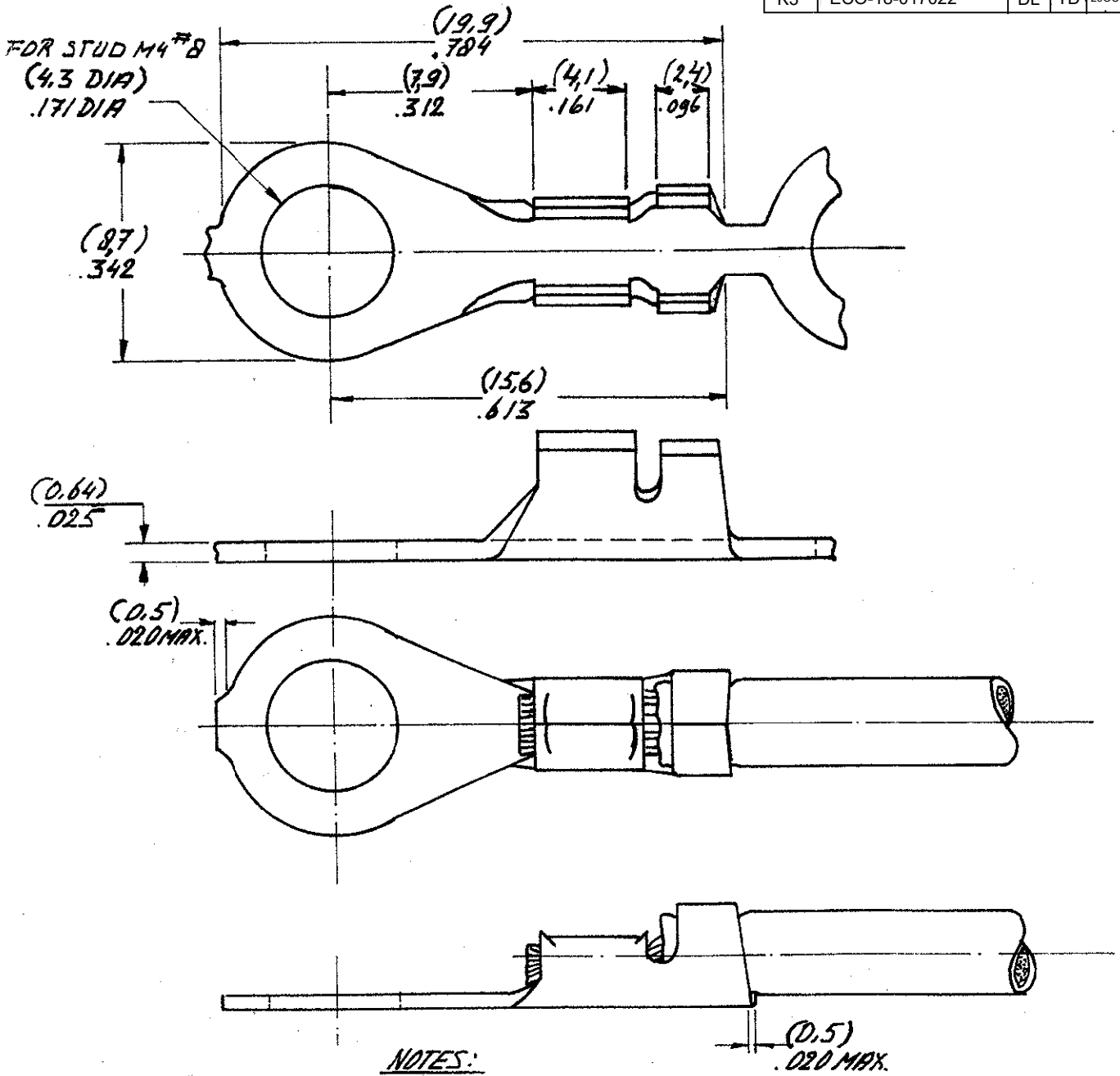


DRAWING MADE IN AMERICAN PROJECTION

LTR	REVISION RECORD	DWN	CHK	DATE
K3	ECO-18-017022	DL	TD	29OCT2018

C-160101



NOTES:

△ OBSOLETE PARTS: OBSOLETE CIS STREAMLINING PER D.RENAUD/D.SINISI

- △ 1 FOR USE ON MINIATURE APPLICATORS (LEFT-RIGHT FEED) AMP.D.I.ATOR APPLICATION
- △ 2 FOR USE ON STANDARD AND MINIATURE APPLICATORS.
- △ 3 REELED WITH PAPER COVER.

160101-9	△ 1	STEEL	△ 2	NICKELPLATED
160101-8	△ 3	PHOSPH. BRONZE	—	—
160101-7	△ 3	BRASS	—	—
160101-6	△ 2	STEEL	△ 2	NICKELPLATED
160101-4	△ 1	BRASS	—	—
160101-3	△ 2	PHOSPH. BRONZE	—	—
160101-2	△ 1	BRASS	△ 2	TIN PLATED
160101-1	△ 2	BRASS	—	—

CUSTOMER COPY FOR REFERENCE ONLY



TE Connectivity

WIRE-RANGE 20-16 AWG 0.5-1.5mm ²	INSUL.-RANGE 080-120 DIA (20-30)	FIRST USED	
SCALE N.T.S.	SIZE A	NO C-160101	REV K3
NAME RING TONGUE WITH INS. SUPPORT			

DR U. SUSTEREN	25/DATE 11.00	DE DATE	
CHK [Signature]	29/DATE 11.00	APP [Signature]	29.1.00

DIMENSIONS IN (MM) DO NOT SCALE PRINT