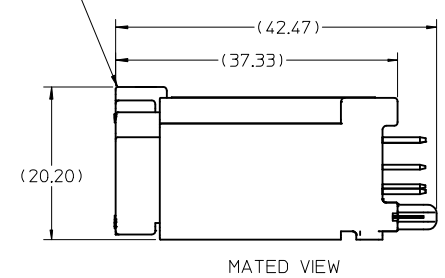
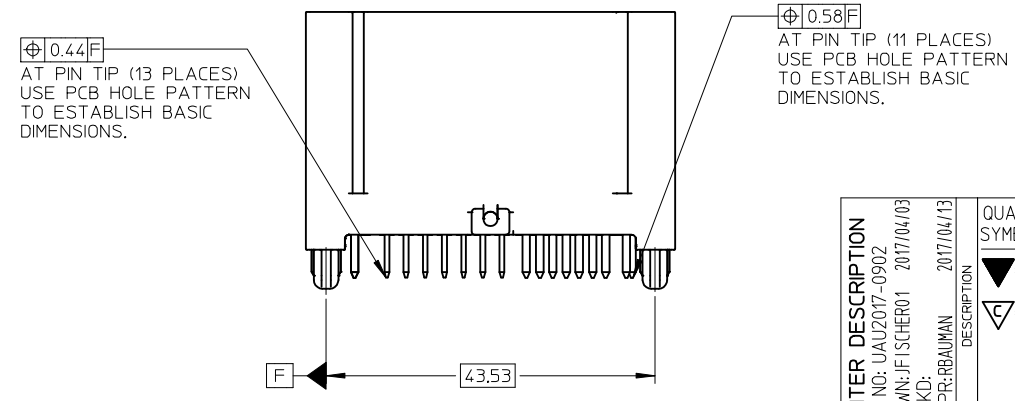


HARNESS ASSEMBLY
 SEE SALES DRAWING
 SD-30700-124.



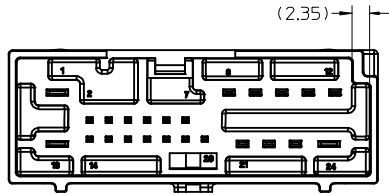
NOTES:

- MATERIAL: HOUSING: SPS, GLASS FILLED, COLOR: SEE CHART. TERMINAL: COPPER ALLOY C26000. PIN ALIGNMENT PLATE: MYLAR, COLOR: NATURAL (WHITE).
- FINISHES: TERMINAL: TIN (Sn) OVERALL; NICKEL (Ni) UNDERPLATE OVERALL.
- PACKAGING SPECIFICATION : TRAY: PK-30907-261, TUBE: PK-30907-226
- MATES WITH: SERIES 30700, SEE SALES DRAWING SD-30700-124.
- DATECODE DESCRIPTION:
 - 1ST DIGIT: MACHINE ID# (ALWAYS WILL BE '2')
 - 2ND THROUGH 4TH DIGIT: DAY# OF THE CALENDAR YEAR (EXAMPLE: FEB. 3RD = '034')
 - 5TH DIGIT: LAST DIGIT OF THE CALENDAR YEAR (EXAMPLE: 1999 = '9')
 - 6TH THROUGH 7TH DIGIT: HOUR OF THE DAY.
- RECOMMENDED OPTIONAL SCREW: M2 x 0.89, 6mm IN LENGTH, PAN COLLAR HEAD, 6 LOBE. TORQUE: 7 NEWTON CENTIMETERS

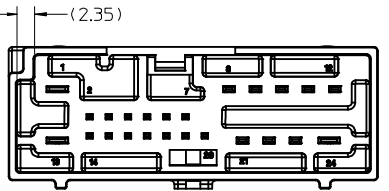


ENTER DESCRIPTION EC NO: UAU2017-0902 DRWN: JFSCHER01 2017/04/03 CHKD: CHPKD: 2017/04/13 APPR: RBAUMAN REV: F3	QUALITY SYMBOLS $\nabla=0$ $\nabla=0$	GENERAL TOLERANCES (UNLESS SPECIFIED) <table border="1"> <tr> <th></th> <th>mm</th> <th>INCH</th> </tr> <tr> <td>4 PLACES</td> <td>± 0.25</td> <td>± 0.010</td> </tr> <tr> <td>3 PLACES</td> <td>± 0.25</td> <td>± 0.010</td> </tr> <tr> <td>2 PLACES</td> <td>± 0.13</td> <td>± 0.005</td> </tr> <tr> <td>1 PLACE</td> <td>± 0.25</td> <td>± 0.010</td> </tr> </table>		mm	INCH	4 PLACES	± 0.25	± 0.010	3 PLACES	± 0.25	± 0.010	2 PLACES	± 0.13	± 0.005	1 PLACE	± 0.25	± 0.010	DIMENSION STYLE MM ONLY DRAWN BY: RCARLSON DATE: 01/04/04 CHECKED BY: CKRISHNA DATE: 01/04/24 APPROVED BY: LGEIB DATE: 01/04/24	SCALE 2:1 DESIGN UNITS METRIC THIRD ANGLE PROJECTION	MATERIAL NO. 9999999999 DOCUMENT NO. SD-30700-424	SHEET NO. 1 OF 2
		mm	INCH																		
	4 PLACES	± 0.25	± 0.010																		
3 PLACES	± 0.25	± 0.010																			
2 PLACES	± 0.13	± 0.005																			
1 PLACE	± 0.25	± 0.010																			
DRAFT WHERE APPLICABLE MUST REMAIN WITHIN DIMENSIONS		24 CIRCUIT VERTICAL HEADER ASSEMBLY SALES DRAWING MOLEX INCORPORATED		THIS DRAWING CONTAINS INFORMATION THAT IS PROPRIETARY TO MOLEX INCORPORATED AND SHOULD NOT BE USED WITHOUT WRITTEN PERMISSION																	

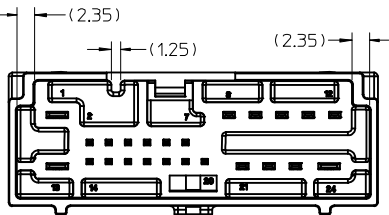
PACKAGING		POLARIZATION OPTIONS & COLOR	
ASSEMBLY P/N TRAY PACKED	ASSEMBLY P/N TUBE PACKED	VERTICAL HEADER ASSEMBLY (POLARIZATION OPTIONS)	HOUSING COLOR
30700-4240	30700-4244	POLARIZATION OPTION 'A'	GRAY
30700-4241	30700-4245	POLARIZATION OPTION 'B'	BLACK
30700-4242	30700-4246	POLARIZATION OPTION 'C'	NATURAL



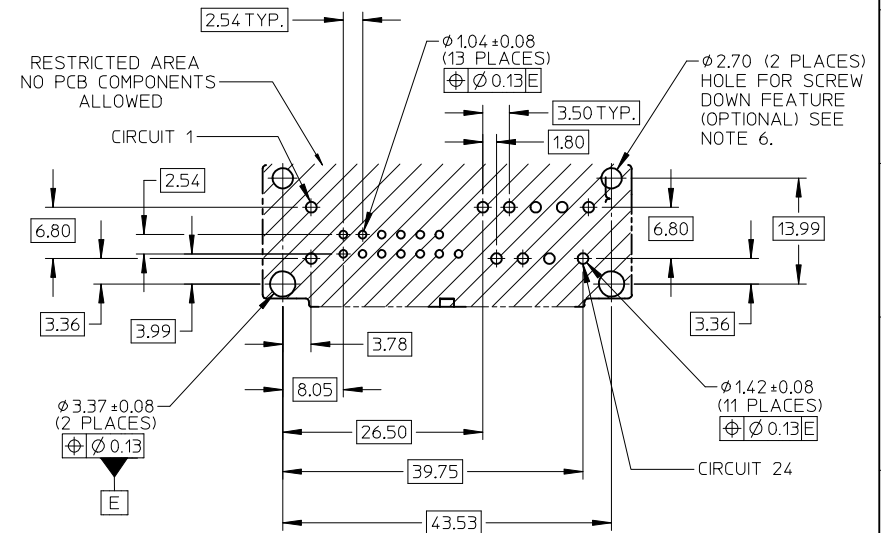
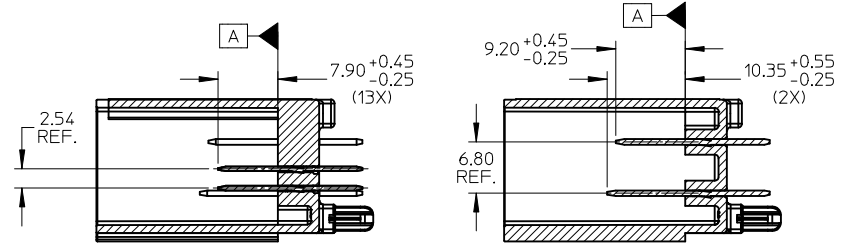
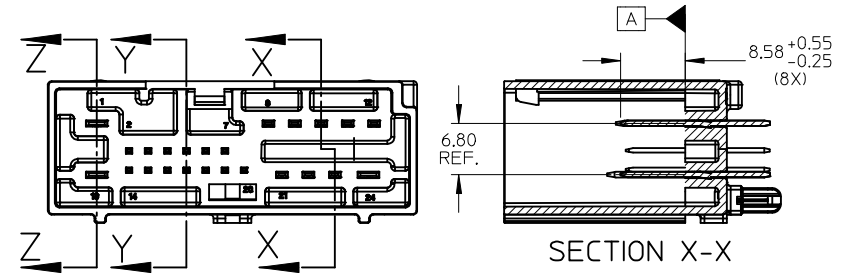
30700-4240
POLARIZATION 'A'



30700-4241
POLARIZATION 'B'

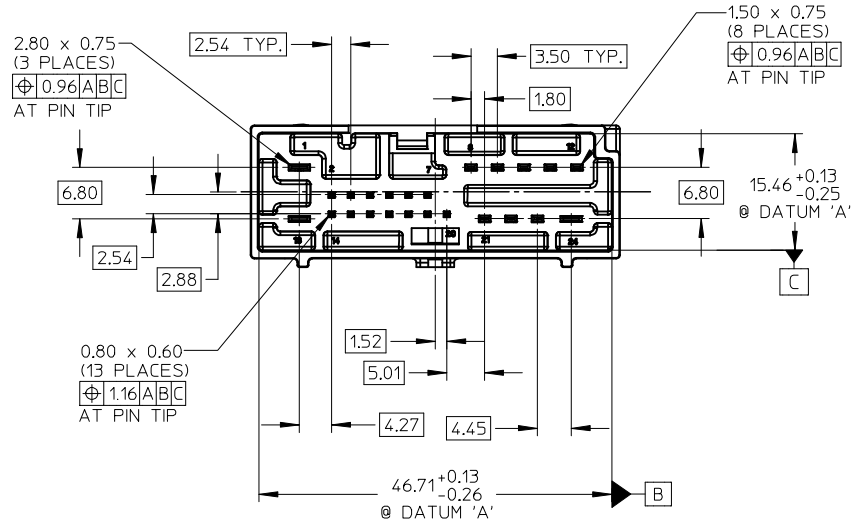
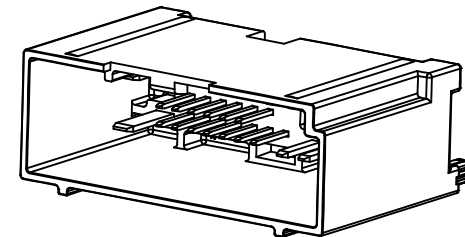
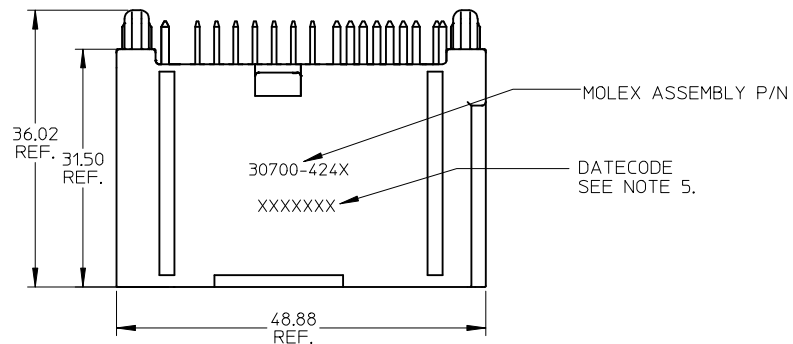


30700-4242
POLARIZATION 'C'



PCB LAYOUT: COMPONENT SIDE
RECOMMENDED PCB THICKNESS: 1.57±0.17

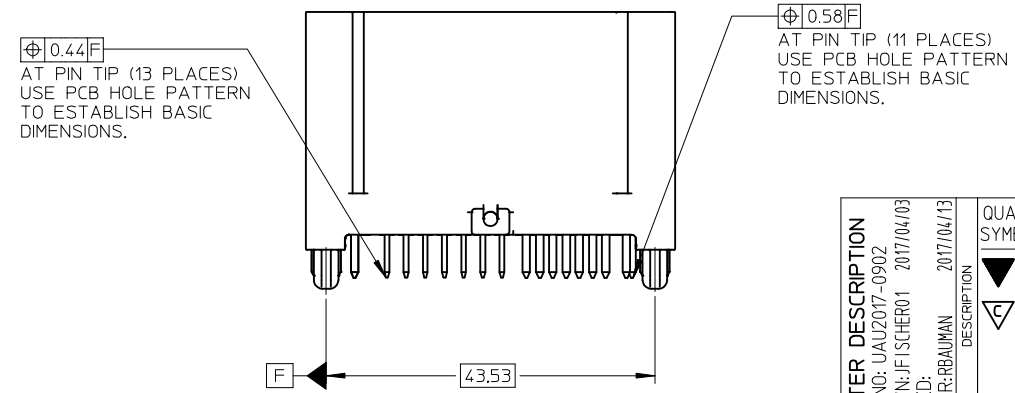
FIX PIN LENGTH TOL EC NO: UAU2017-0902 DRWN: F. SCHER01 2017/04/03 CHKD: APPR: RBAUMAN 2017/04/13 REV:	QUALITY SYMBOLS ▽=0 ▽=0	GENERAL TOLERANCES (UNLESS SPECIFIED) <table border="1"> <thead> <tr> <th></th> <th>mm</th> <th>INCH</th> </tr> </thead> <tbody> <tr> <td>4 PLACES</td> <td>± 0.25</td> <td>± 0.010</td> </tr> <tr> <td>3 PLACES</td> <td>± 0.25</td> <td>± 0.010</td> </tr> <tr> <td>2 PLACES</td> <td>± 0.13</td> <td>± 0.005</td> </tr> <tr> <td>1 PLACE</td> <td>± 0.25</td> <td>± 0.010</td> </tr> </tbody> </table>		mm	INCH	4 PLACES	± 0.25	± 0.010	3 PLACES	± 0.25	± 0.010	2 PLACES	± 0.13	± 0.005	1 PLACE	± 0.25	± 0.010	DIMENSION STYLE MM ONLY DRAWN BY: R. CARLSON DATE: 01/04/04 CHECKED BY: DATE: CKRISHNA 01/04/24 APPROVED BY: DATE: LGEIB 01/04/24	SCALE: 2:1 DESIGN UNITS: METRIC THIRD ANGLE PROJECTION
		mm	INCH																
	4 PLACES	± 0.25	± 0.010																
	3 PLACES	± 0.25	± 0.010																
2 PLACES	± 0.13	± 0.005																	
1 PLACE	± 0.25	± 0.010																	
DRAFT WHERE APPLICABLE MUST REMAIN WITHIN DIMENSIONS	MATERIAL NO.: 9999999999 SIZE: C	DOCUMENT NO.: SD-30700-424 SHEET NO.: 2 OF 2	MOLEX INCORPORATED 24 CIRCUIT VERTICAL HEADER ASSEMBLY SALES DRAWING																
THIS DRAWING CONTAINS INFORMATION THAT IS PROPRIETARY TO MOLEX INCORPORATED AND SHOULD NOT BE USED WITHOUT WRITTEN PERMISSION																			



HARNESS ASSEMBLY
SEE SALES DRAWING
SD-30700-124.

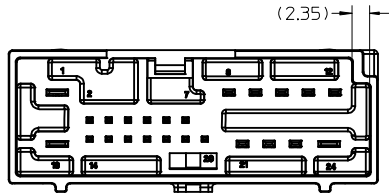
NOTES:

- MATERIAL: HOUSING: SPS, GLASS FILLED, COLOR: SEE CHART.
TERMINAL: COPPER ALLOY C26000.
PIN ALIGNMENT PLATE: MYLAR, COLOR: NATURAL (WHITE).
- FINISHES: TERMINAL: TIN (Sn) OVERALL;
NICKEL (Ni) UNDERPLATE OVERALL.
- PACKAGING SPECIFICATION : TRAY: PK-30907-261, TUBE: PK-30907-226
- MATES WITH: SERIES 30700, SEE SALES DRAWING SD-30700-124.
- DATECODE DESCRIPTION:
 - 1ST DIGIT: MACHINE ID# (ALWAYS WILL BE '2')
 - 2ND THROUGH 4TH DIGIT: DAY# OF THE CALENDAR YEAR (EXAMPLE: FEB. 3RD = '034')
 - 5TH DIGIT: LAST DIGIT OF THE CALENDAR YEAR (EXAMPLE: 1999 = '9')
 - 6TH THROUGH 7TH DIGIT: HOUR OF THE DAY.
- RECOMMENDED OPTIONAL SCREW: M2 x 0.89, 6mm IN LENGTH, PAN COLLAR HEAD, 6 LOBE.
TORQUE: 7 NEWTON CENTIMETERS

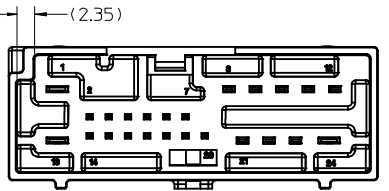


ENTER DESCRIPTION EC NO: UAU2017-0902 DRWN: JFSCHER01 2017/04/03 CHKD: APPR: RBAUMAN 2017/04/13 F3	QUALITY SYMBOLS ▽=0 ▽=0	GENERAL TOLERANCES (UNLESS SPECIFIED)		DIMENSION STYLE MM ONLY	SCALE 2:1	DESIGN UNITS METRIC	THIRD ANGLE PROJECTION
		mm INCH	DRAWN BY RCARLSON	DATE 01/04/04	TITLE 24 CIRCUIT VERTICAL HEADER ASSEMBLY SALES DRAWING		
DRAFT WHERE APPLICABLE MUST REMAIN WITHIN DIMENSIONS		APPROVED BY LGEIB		DATE 01/04/24	MOLEX INCORPORATED		
MATERIAL NO. 9999999999				DOCUMENT NO. SD-30700-424		SHEET NO. 1 OF 2	
THIS DRAWING CONTAINS INFORMATION THAT IS PROPRIETARY TO MOLEX INCORPORATED AND SHOULD NOT BE USED WITHOUT WRITTEN PERMISSION							

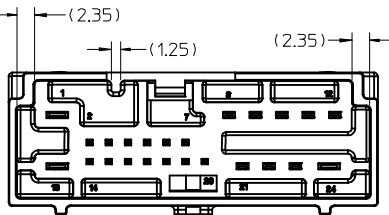
PACKAGING		POLARIZATION OPTIONS & COLOR	
ASSEMBLY P/N TRAY PACKED	ASSEMBLY P/N TUBE PACKED	VERTICAL HEADER ASSEMBLY (POLARIZATION OPTIONS)	HOUSING COLOR
30700-4240	30700-4244	POLARIZATION OPTION 'A'	GRAY
30700-4241	30700-4245	POLARIZATION OPTION 'B'	BLACK
30700-4242	30700-4246	POLARIZATION OPTION 'C'	NATURAL



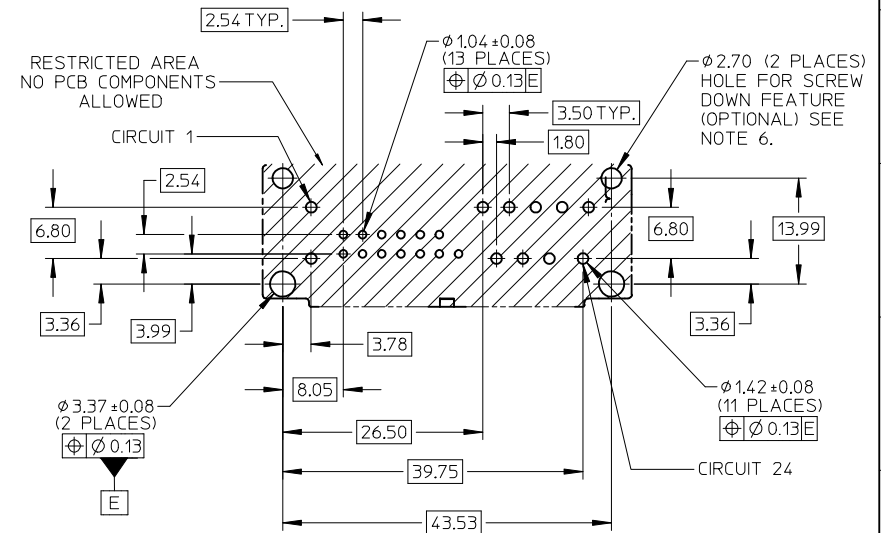
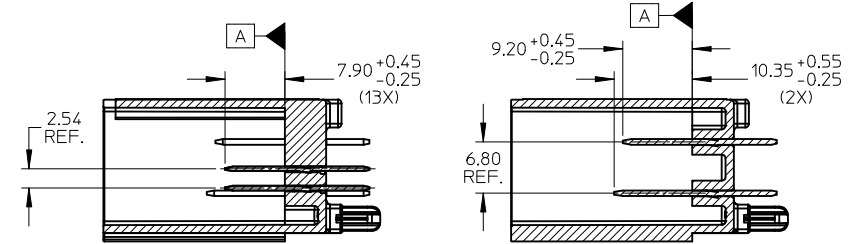
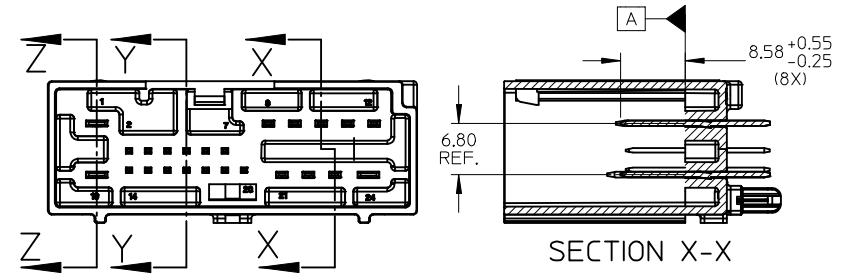
30700-4240
POLARIZATION 'A'



30700-4241
POLARIZATION 'B'



30700-4242
POLARIZATION 'C'



PCB LAYOUT: COMPONENT SIDE
RECOMMENDED PCB THICKNESS: 1.57±0.17

FIX PIN LENGTH TOL EC NO: UAU2017-0902 DRWN: F. SCHER01 2017/04/03 CHKD: APPR: RBAUMAN 2017/04/13 REV: F3	QUALITY SYMBOLS ▽=0 ▽=0	GENERAL TOLERANCES (UNLESS SPECIFIED) <table border="1"> <thead> <tr> <th></th> <th>mm</th> <th>INCH</th> </tr> </thead> <tbody> <tr> <td>4 PLACES</td> <td>± 0.25</td> <td>± 0.010</td> </tr> <tr> <td>3 PLACES</td> <td>± 0.25</td> <td>± 0.010</td> </tr> <tr> <td>2 PLACES</td> <td>± 0.13</td> <td>± 0.005</td> </tr> <tr> <td>1 PLACE</td> <td>± 0.25</td> <td>± 0.010</td> </tr> </tbody> </table>		mm	INCH	4 PLACES	± 0.25	± 0.010	3 PLACES	± 0.25	± 0.010	2 PLACES	± 0.13	± 0.005	1 PLACE	± 0.25	± 0.010	DIMENSION STYLE MM ONLY DRAWN BY: R. CARLSON DATE: 01/04/04 CHECKED BY: CKRISHNA DATE: 01/04/24 APPROVED BY: LGEIB DATE: 01/04/24	SCALE: 2:1 DESIGN UNITS: METRIC THIRD ANGLE PROJECTION
		mm	INCH																
	4 PLACES	± 0.25	± 0.010																
	3 PLACES	± 0.25	± 0.010																
2 PLACES	± 0.13	± 0.005																	
1 PLACE	± 0.25	± 0.010																	
DRAFT WHERE APPLICABLE MUST REMAIN WITHIN DIMENSIONS		MATERIAL NO.: 9999999999 SIZE: C	MOLEX INCORPORATED DOCUMENT NO.: SD-30700-424 SHEET NO.: 2 OF 2																
THIS DRAWING CONTAINS INFORMATION THAT IS PROPRIETARY TO MOLEX INCORPORATED AND SHOULD NOT BE USED WITHOUT WRITTEN PERMISSION																			