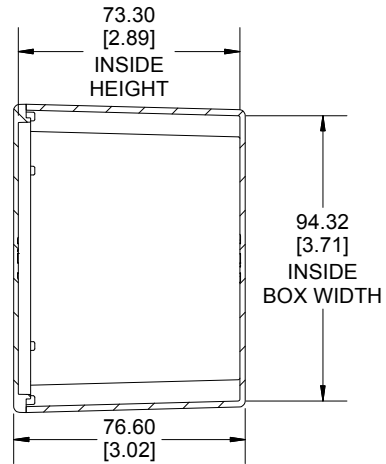
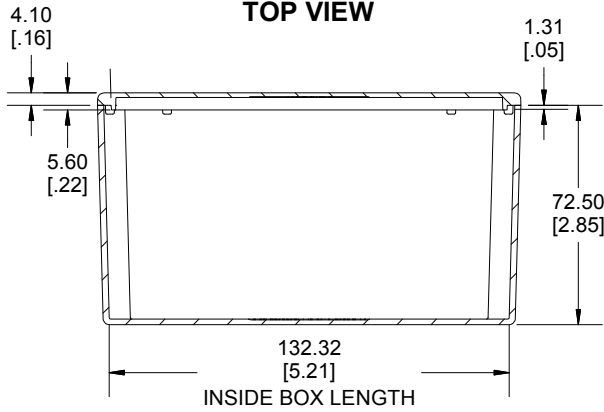
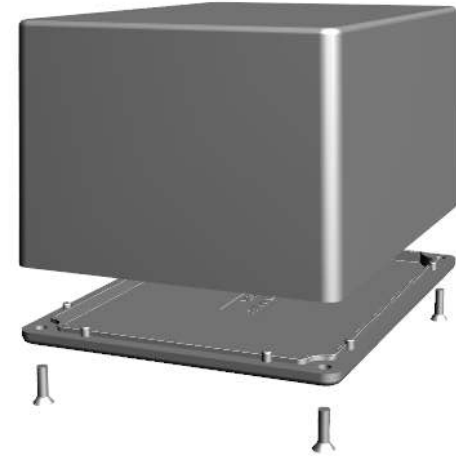


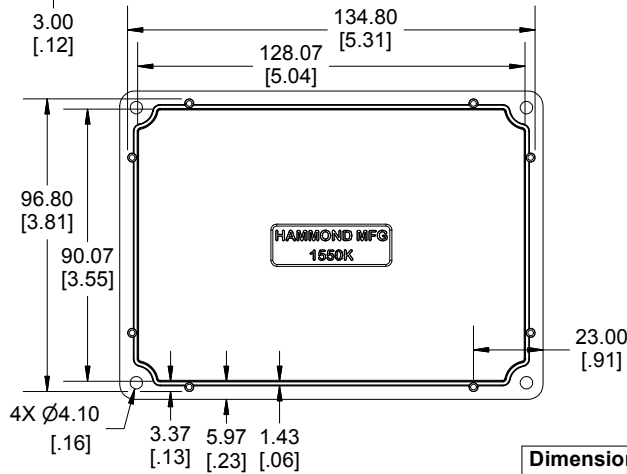
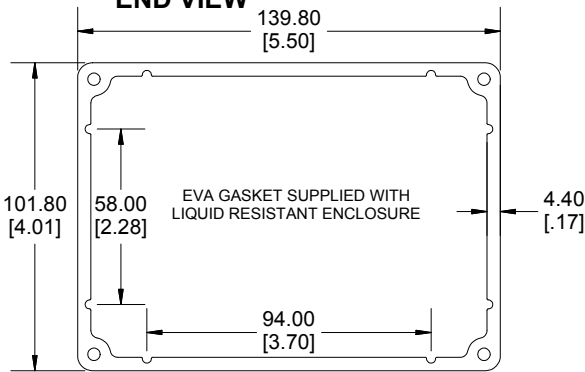
TOP VIEW



**SECTION A-A
END VIEW**



**SECTION B-B
SIDE VIEW**



INSIDE BOX

INSIDE LID

Dimensions:
mm
[inches]

Enclosures can be Factory Modified (Milling, Drilling, Printing etc.)
Contact Factory mjm@hammondmfg.com for quotes
Solid models of this enclosure available in STEP or IGES.

NOTE	
Purchased assembly includes box, lid and 4 cover screws.	
Box and lid are made from Diecast Aluminum Alloy.	
EVA Gasket supplied with liquid resistant enclosure.	

PART NUMBERS	
1550K Enclosure	
Natural Finish Enclosure	1550K
Black Textured Enclosure	1550KBK
1550K Liquid Resistant Enclosure (EVA Gasket)	
Natural Finish Enclosure	1550WK
Black Textured Enclosure	1550WKBK
ACCESSORIES	
Recommended Torque: 75 ozf.in / 55 cN.m	
Standard Cover Screws	
Plated Cover Screws (Pkg 100) [M3.5-0.6 x 12mm]	1550MS100
Black Cover Screws (Pkg 100) [M3.5-0.6 x 12mm]	1550MS100BK
Liquid Resistant Cover Screws and Gaskets	
Stainless Steel Cover Screws (Pkg 100) [M3.5 x 12mm, With O-Ring]	1550WMS100
Black Stainless Steel Cover Screws (Pkg 100) [M3.5 x 12mm, With O-Ring]	1550WMS100BK
EVA Pre-formed Gasket Black	1550KEGASKET
Silicone Pre-formed Gasket Black	1550KSGASKET

**HAMMOND
MANUFACTURING®**

1550K

www.hammondmfg.com