

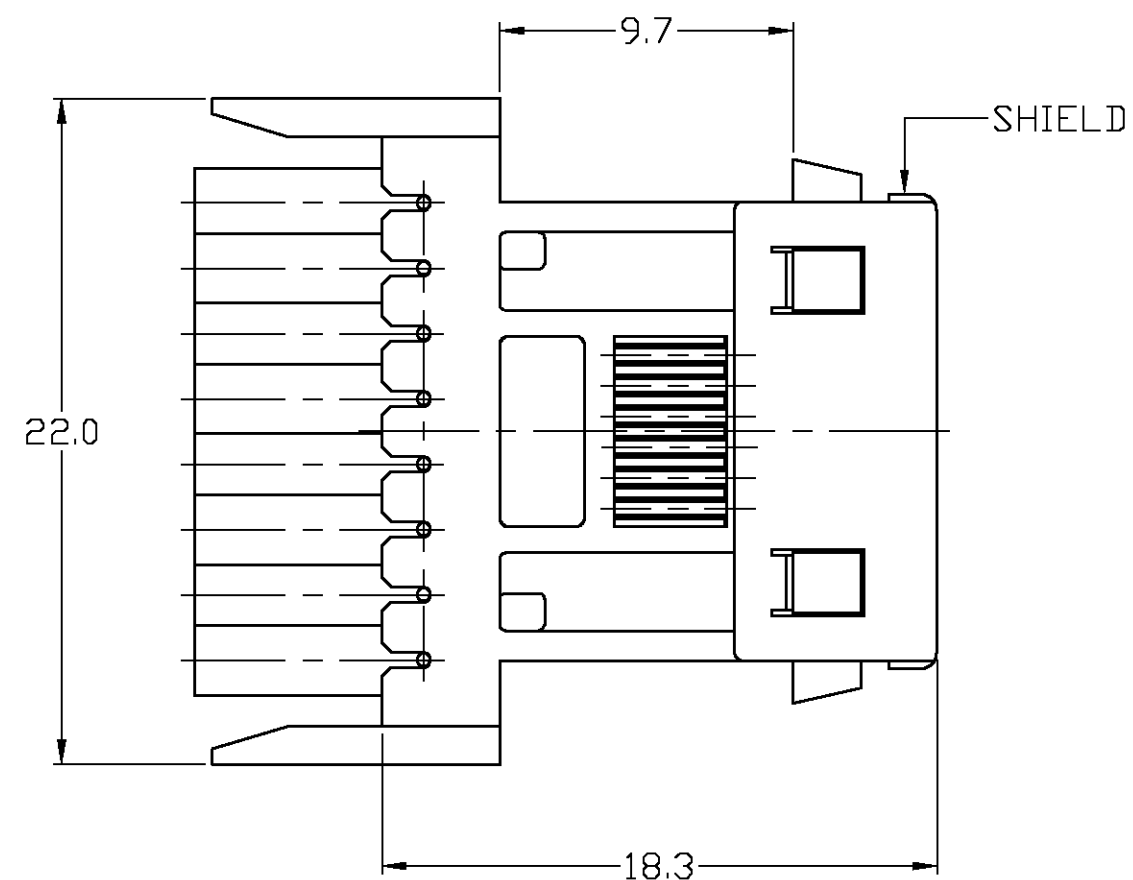
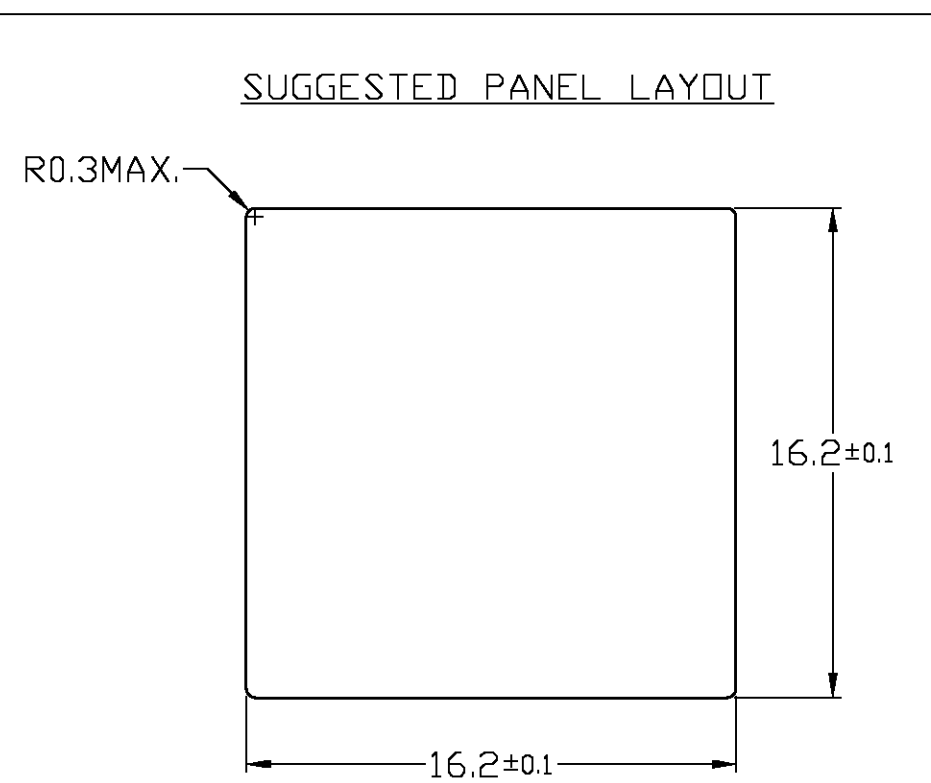
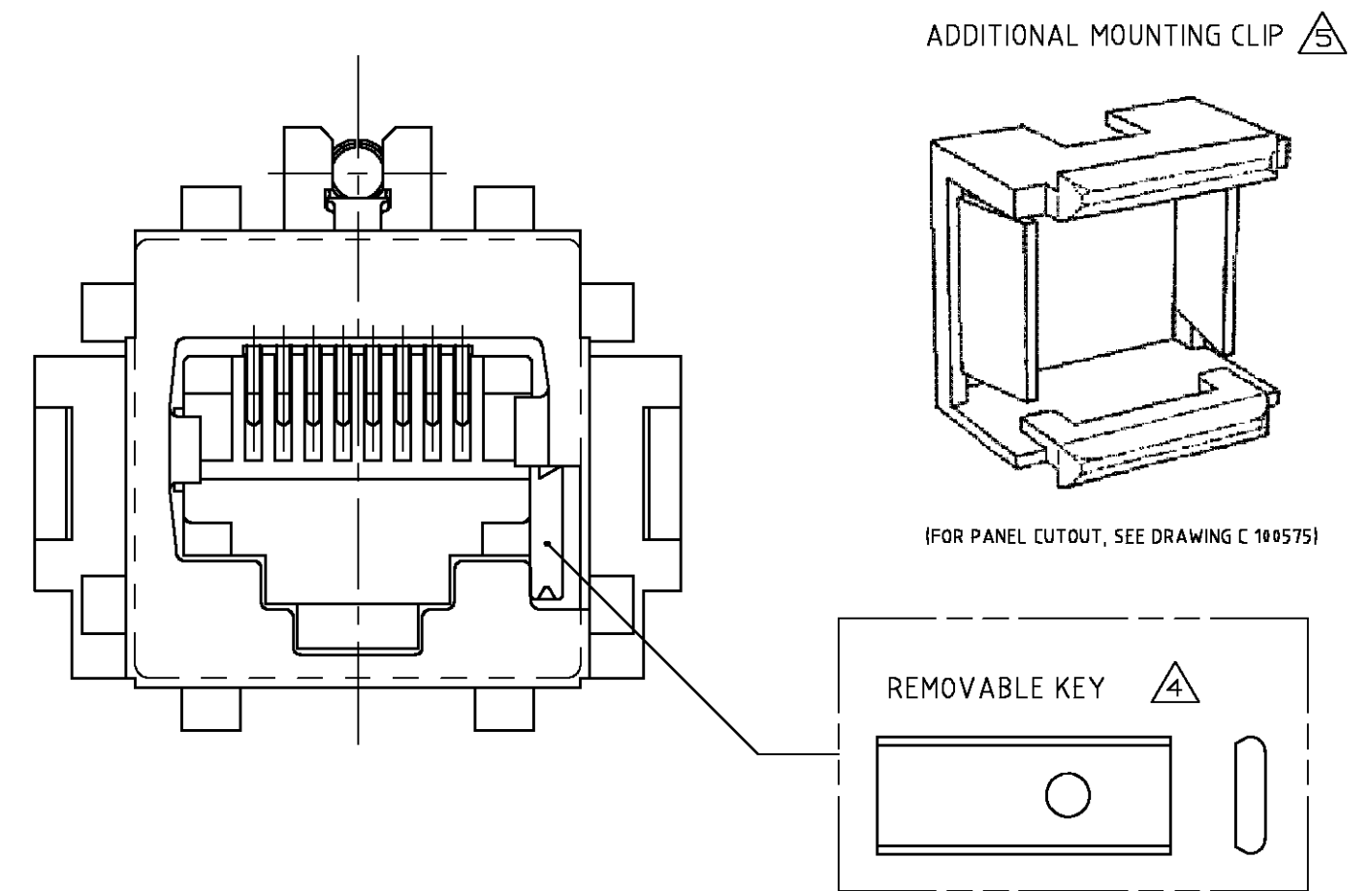
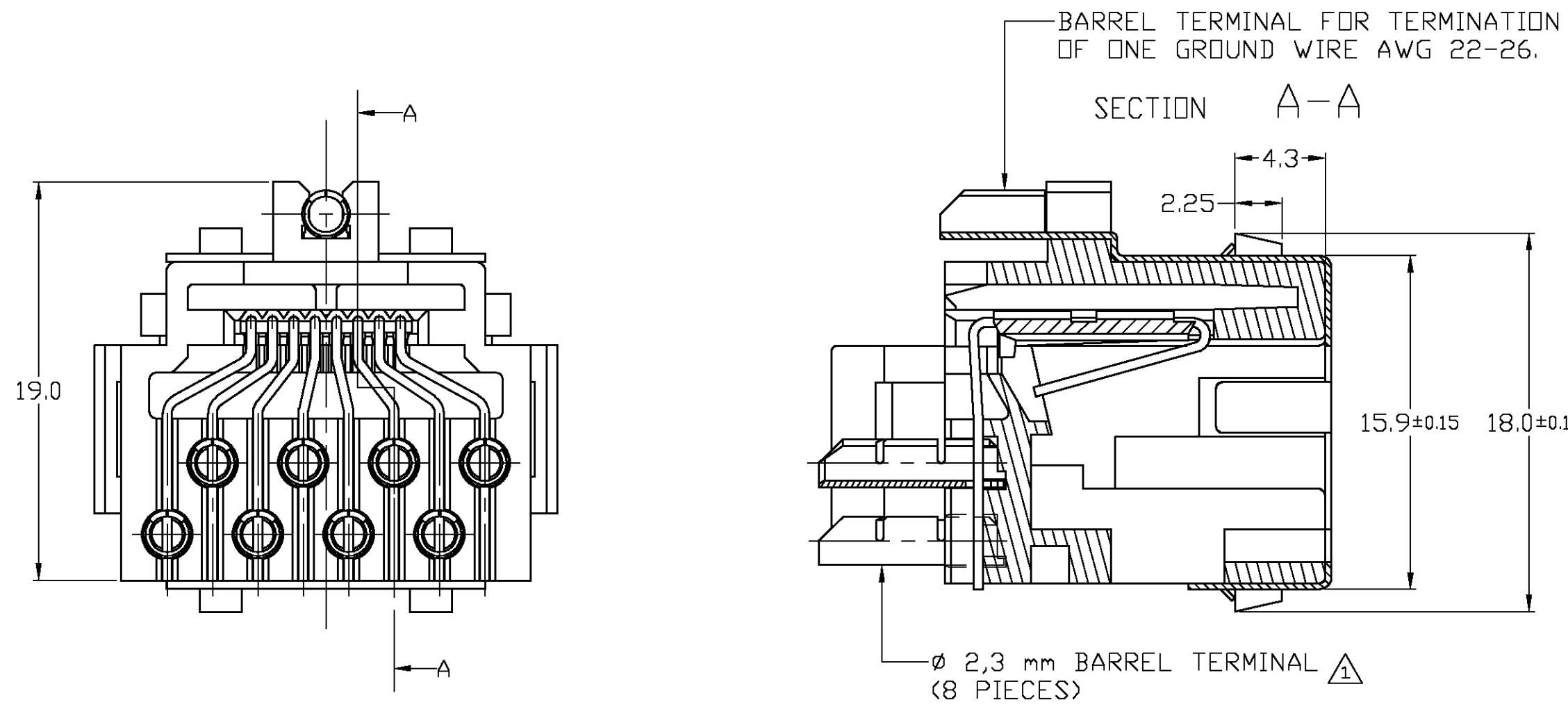
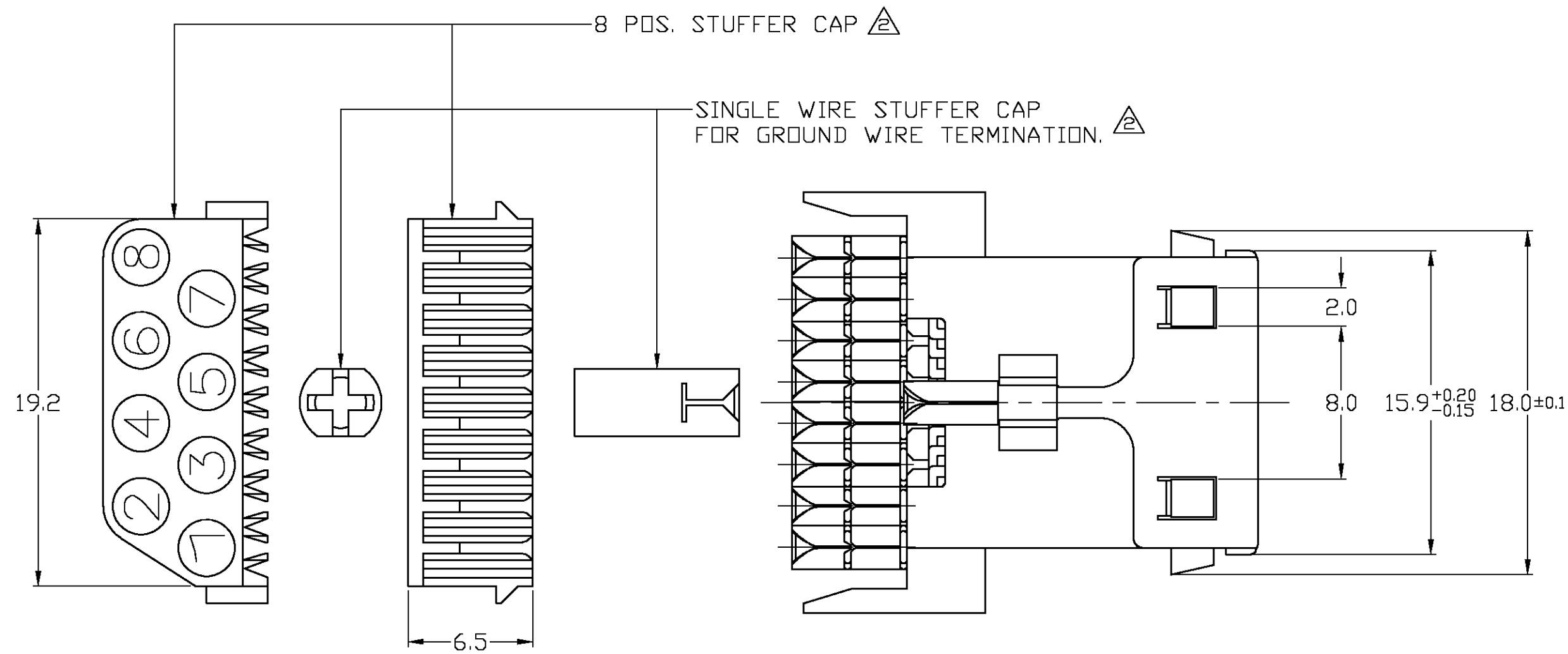
DO NOT SCALE
DIMENSIONS IN mm

METRIC

THIRD ANGLE
PROJECTION

NOTES:

- ⚠️ BARREL TERMINALS WILL ACCEPT ON OR TWO WIRES WITH THE SAME SIZE PER TERMINAL. WIRE RANGE FOR SOLID AND STRANDED WIRES: 0,12 mm² (AWG 26) - 0,35 mm² (AWG 22) MAXIMUM INSULATION ϕ : 1,2 mm.
- ⚠️ 8 POSITION STUFFER CAP AND SINGLE WIRE STUFFER CAP ARE SHIPPED NOT ASSEMBLED.
- ⚠️ MATERIALS: 8 POS. STUFFER CAP: ABS NATURAL
1 WIRE STUFFER CAP: NYLON
BARREL TERMINALS: PHOS. BRONZE
CONTACTS: PRE-TINPLATED
PHOS. BRONZE PLATED
1,25 μ m SELECTIVE GOLD
OVER 1,25 μ m NICKEL
HOUSING KEY: PBT, COLOR BLACK
UL 94HB
SHIELD: BRASS PRE-TINPLATED
- ⚠️ REMOVABLE KEY IS SHIPPED NOT ASSEMBLED.
- ⚠️ ADDITIONAL HARDWARE IS REQUIRED FOR PANEL MOUNTING. FOR INSTANCE MOUNTING CLIP 100575-1 (IS NOT INCLUDED).



500 PCS IN A BOX		SEE NOTE ⚠️	SEE NOTE ⚠️	216811-1
PACKAGING		FINISH		P/N
CUSTOMER DRAWING FOR REFERENCE ONLY WILL NOT BE UPDATED				
© COPYRIGHT 19 BY AMP HOLLAND B.V. ALL INTERNATIONAL RIGHTS RESERVED. AMP PRODUCTS MAY BE COVERED BY U.S. AND FOREIGN AND/OR PATENTS PENDING.				
THIS DRAWING IS UNPUBLISHED RELEASED FOR PUBLICATION				
G SR10-0119-01		KV	20 MAR 01	
F H-8627		J.T.	J.T.	25 OCT 93
E H-8627		J.T.	W.B.	02 AUG 93
D H-8627		J.T.	W.B.	13 APR 92
C H-8627		J.v.L.	J.T.	04 NOV 91
LTR. REVISION RECORD		DR.	CHK.	DATE
DR.: J.v.LIEMPT	CHK.: W.BRUMMANS	APP.: J.van SOEST	DWG.No.	REV.LTR.
DATE: 04 NOV 91	DATE:	DATE: 27 OCT 93	C-216811	G
				SHEET 1 OF 1
				A2