

REFERENCE SPECIFICATIONS

-NFC 93425 (in compliance with HE 507)

PHYSICAL CHARACTERISTICS

- INSULATOR MATERIAL: THERMOPLASTIC ,UL94V0
- CONTACT MATERIAL: BRASS
- ACCESSORIES: BRASS
- SHELLS: STEEL

ELECTRICAL CHARACTERISTICS

- NOMINAL CURRENT: 30A or 40A
- CONTACT RESISTANCE: <= 7.3 mOhms
- CONTACT/CONTACT : >=1000 V
- CONTACT/GROUND : >=1200 V
- INSULATION RESISTANCE: >=5000 MOhms

ENVIRONMENTAL CHARACTERISTICS

- CLIMATIC CATEGORY: 55/125/21
- TEMPERATURE RANGE -55°C TO +125°C
- DAMP HEAT STEADY STATE 21 DAYS
- SALT SPRAY 24 HOURS

MECHANICAL CHARACTERISTICS

- RETENTION AGAINST TORQUE: - Threaded insert: 0.7 N.m maximum
- Female screw : 0.5 N.m maximum

NOTE RoHS INFORMATION

- The "LF" products meet european union Directives and other country regulations as described in GS-47-0004.
- The housing will withstand exposure to 260°C peak temperature for 3.5 seconds in a wave solder application with a 1.6mm minimum thick circuit board. See application notes/procedures if they are available.
- Termination plating spec:
 - Ni 1.27µmi+Sn 2.5 to 7.5µ(pure bright)
- Active area plating spec:
 - Ni + Gold/GxT
- Shell plating :2 to 4µm Cu + Ni + 3 to 10µmm Sn(pure bright)
- Accessories: Sn pure bright + nickel
- Packaging spec: See GS-14-920

DBL5W5P500G30LF

Series ←

Shell size: **E A B C**
(see sheet 3) ←

Front accessory definition
(see sheet 2) ←

- blank**:without accessory
- L** :threaded insert M3
- O** :threaded insert UNC 4-40
- V** :female screw UNC 4-40
- I** :female screw M3

Layout of contacts (see sheet 3) ←

Contacts ←
P Pin

Termination type ←
5 Right angle/Europe standard

Plating ←
00 200 matings/unmatings
43 500 matings/unmatings

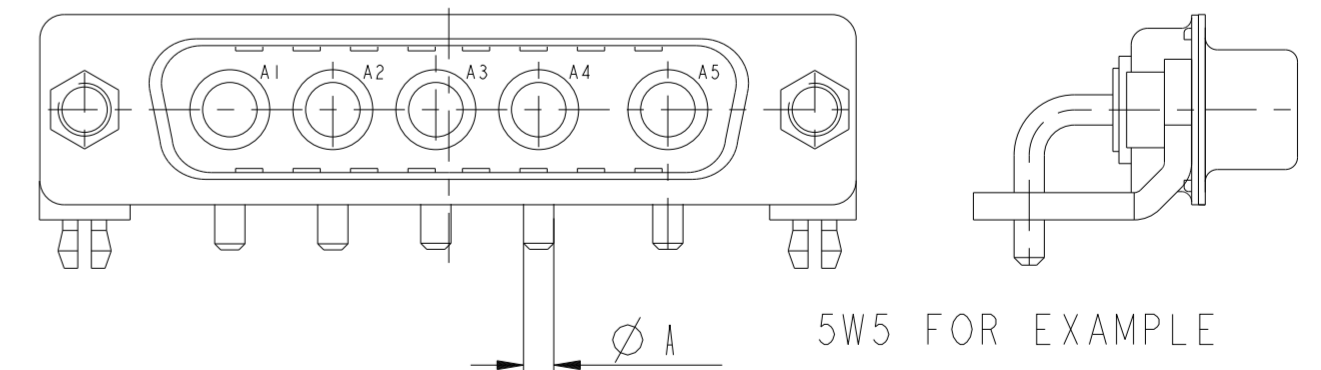
PCB accessories definition(see sheet 2) ←
A :without accessory
H :Metal brackets+harpoons for PCB 2.40mm
G :Metal brackets+harpoons for PCB 1.60mm
M :Metal brackets

Power contacts ←
00 :Not Fitted with power contact (signal contacts always fitted)
30 :Fitted with power contacts 30 Amp.
40 :Fitted with power contacts 40 Amp.

See note RoHS

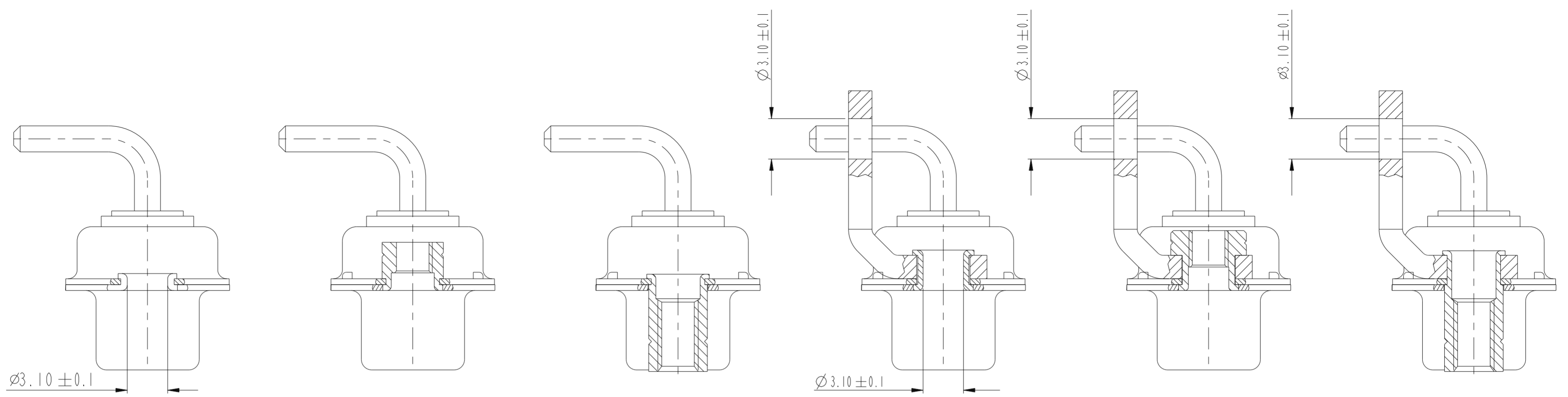
TABLE 1:PCB HOLE DIAMETERS

	POWER CONTACTS		ACCESSORIES
	30 A	2.00	∅ 2.40
40 A	2.80	∅ 3.10	
Max current power	∅ A ±0.1	PCB HOLE +/-0.1	PCB HOLE +/-0.1

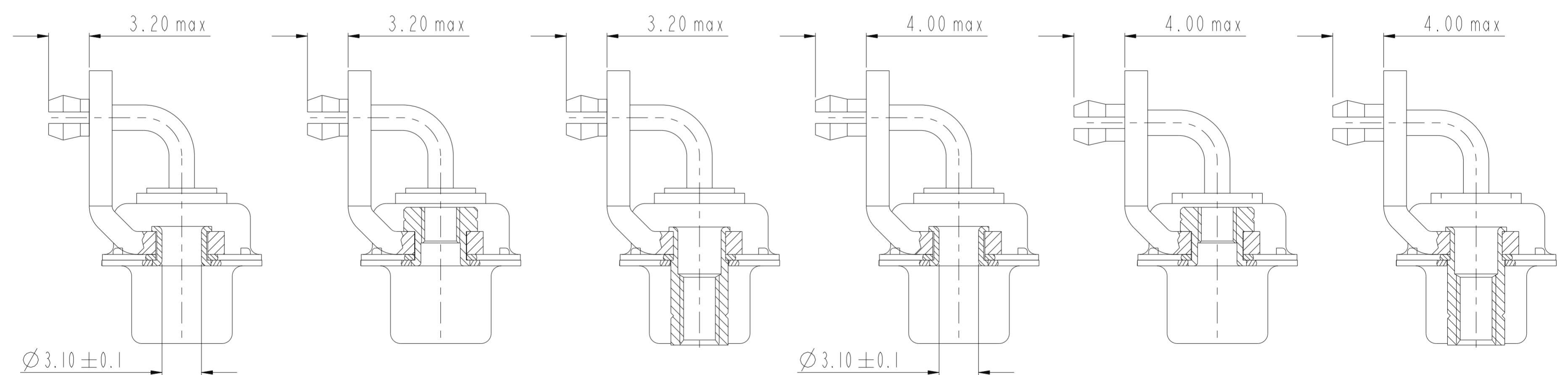


spec ref	dr	1, Product Eng	2015/06/16	projection	mm	size	A2	scale	3:1	
tolerance std	eng	Gregar Mathew	2020/12/04		mm	ecn no	ELX-33502-1	rel level	Released	
ISO 406 ISO 1101	chr	-	appr							Kuriakosa, San
surface	linear	0.X	±0.3			title	SUB MALE DW EUROPE foot print		rev	F
ISO 1302	angular	0.XX	±0.1			part no	C01-8639-2312		sheet 1 of 5	
		0.XXX	±0.05			cat. no.	Product - Customer Drw			
		0°	±2°				STATUS:Released		Printed: Dec 18, 2020	

Amphenol FCI



FRONT ACCESSORY	Blank Without	L insert M3 O insert UNC 4.40	V insert UNC 4.40	Blank Without	L insert M3 O insert UNC 4.40	V insert UNC 4.40
PCB ACCESSORIES	A Without	A Without	A Without	M Metal brackets	M Metal brackets	M Metal bracket



FRONT ACCESSORY	Blank Without	L insert M3 O insert UNC 4.40	V insert UNC 4.40	Blank Without	L insert M3 O insert UNC 4.40	V insert UNC 4.40
PCB ACCESSORIES	G Metal brackets + harpoons for PCB 1.60mm	G Metal brackets + harpoons for PCB 1.60mm	G Metal brackets + harpoons for PCB 1.60mm	H Metal brackets + harpoons for PCB 2.40mm	H Metal brackets + harpoons for PCB 2.40mm	H Metal brackets + harpoons for PCB 2.40mm

© 2016 AFCI

spec ref	dr	1, Product Eng	2015/06/16	projection	mm	size	A2	scale	3:1
tolerance std	eng	Gregar Mathew	2020/12/04		mm	ecn no	ELX-33502-1	rel level	Released
ISO 406 ISO 1101	chr	-	product family						
surface	linear	0.X	±0.3		SUB MALE DW EUROPE foot print	cat. no.	-	Product - Customer Drw	sheet 2 of 5
		0.XX	±0.1						
ISO 1302	angular	0°	±2°	title	SUB MALE DW EUROPE foot print		rev	F	
				full power right angled solder		C01-8639-2312		rev	
						ptc_wm		F	

PART NUMBER	AMPS	MATINGS/ UNMATINGS	FRONT ACCESSORY	PCB ACCESSORIES
D*xWxP500A30LF	30	200	without	without
D*LxWxP500A30LF	30	200	insert M3	without
D*OxWxP500A30LF	30	200	insert UNC 4.40	without
D*VxWxP500A30LF	30	200	female screw UNC 4.40	without
D*xWxP500H30LF	30	200	without	metal bracket+harpoon PCB 2.40mm
D*LxWxP500H30LF	30	200	insert M3	metal bracket+harpoon PCB 2.40mm
D*OxWxP500H30LF	30	200	insert UNC 4.40	metal bracket+harpoon PCB 2.40mm
D*VxWxP500H30LF	30	200	female screw UNC 4.40	metal bracket+harpoon PCB 2.40mm
D*xWxP500G30LF	30	200	without	metal bracket+harpoon PCB 1.60mm
D*LxWxP500G30LF	30	200	insert M3	metal bracket+harpoon PCB 1.60mm
D*OxWxP500G30LF	30	200	insert UNC 4.40	metal bracket+harpoon PCB 1.60mm
D*VxWxP500G30LF	30	200	female screw UNC 4.40	metal bracket+harpoon PCB 1.60mm
D*xWxP500M30LF	30	200	without	metal bracket
D*LxWxP500M30LF	30	200	insert M3	metal bracket
D*OxWxP500M30LF	30	200	insert UNC 4.40	metal bracket
D*VxWxP500M30LF	30	200	female screw UNC 4.40	metal bracket

PART NUMBER	AMPS	MATINGS/ UNMATINGS	FRONT ACCESSORY	PCB ACCESSORIES
D*xWxP500A40LF	40	200	without	without
D*LxWxP500A40LF	40	200	insert M3	without
D*OxWxP500A40LF	40	200	insert UNC 4.40	without
D*VxWxP500A40LF	40	200	female screw UNC 4.40	without
D*xWxP500H40LF	40	200	without	metal bracket+harpoon PCB 2.40mm
D*LxWxP500H40LF	40	200	insert M3	metal bracket+harpoon PCB 2.40mm
D*OxWxP500H40LF	40	200	insert UNC 4.40	metal bracket+harpoon PCB 2.40mm
D*VxWxP500H40LF	40	200	female screw UNC 4.40	metal bracket+harpoon PCB 2.40mm
D*xWxP500G40LF	40	200	without	metal bracket+harpoon PCB 1.60mm
D*LxWxP500G40LF	40	200	insert M3	metal bracket+harpoon PCB 1.60mm
D*OxWxP500G40LF	40	200	insert UNC 4.40	metal bracket+harpoon PCB 1.60mm
D*VxWxP500G40LF	40	200	female screw UNC 4.40	metal bracket+harpoon PCB 1.60mm
D*xWxP500M40LF	40	200	without	metal bracket
D*LxWxP500M40LF	40	200	insert M3	metal bracket
D*OxWxP500M40LF	40	200	insert UNC 4.40	metal bracket
D*VxWxP500M40LF	40	200	female screw UNC 4.40	metal bracket

PART NUMBER	AMPS	MATINGS/ UNMATINGS	FRONT ACCESSORY	PCB ACCESSORIES
D*xWxP543A30LF	30	500	without	without
D*LxWxP543A30LF	30	500	insert M3	without
D*OxWxP543A30LF	30	500	insert UNC 4.40	without
D*VxWxP543A30LF	30	500	female screw UNC 4.40	without
D*xWxP543H30LF	30	500	without	metal bracket+harpoon PCB 2.40mm
D*LxWxP543H30LF	30	500	insert M3	metal bracket+harpoon PCB 2.40mm
D*OxWxP543H30LF	30	500	insert UNC 4.40	metal bracket+harpoon PCB 2.40mm
D*VxWxP543H30LF	30	500	female screw UNC 4.40	metal bracket+harpoon PCB 2.40mm
D*xWxP543G30LF	30	500	without	metal bracket+harpoon PCB 1.60mm
D*LxWxP543G30LF	30	500	insert M3	metal bracket+harpoon PCB 1.60mm
D*OxWxP543G30LF	30	500	insert UNC 4.40	metal bracket+harpoon PCB 1.60mm
D*VxWxP543G30LF	30	500	female screw UNC 4.40	metal bracket+harpoon PCB 1.60mm
D*xWxP543M30LF	30	500	without	metal bracket
D*LxWxP543M30LF	30	500	insert M3	metal bracket
D*OxWxP543M30LF	30	500	insert UNC 4.40	metal bracket
D*VxWxP543M30LF	30	500	female screw UNC 4.40	metal bracket

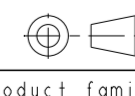

PART NUMBER	AMPS	MATINGS/ UNMATINGS	FRONT ACCESSORY	PCB ACCESSORIES
D*xWxP543A40LF	40	500	without	without
D*LxWxP543A40LF	40	500	insert M3	without
D*OxWxP543A40LF	40	500	insert UNC 4.40	without
D*VxWxP543A40LF	40	500	female screw UNC 4.40	without
D*xWxP543H40LF	40	500	without	metal bracket+harpoon PCB 2.40mm
D*LxWxP543H40LF	40	500	insert M3	metal bracket+harpoon PCB 2.40mm
D*OxWxP543H40LF	40	500	insert UNC 4.40	metal bracket+harpoon PCB 2.40mm
D*VxWxP543H40LF	40	500	female screw UNC 4.40	metal bracket+harpoon PCB 2.40mm
D*xWxP543G40LF	40	500	without	metal bracket+harpoon PCB 1.60mm
D*LxWxP543G40LF	40	500	insert M3	metal bracket+harpoon PCB 1.60mm
D*OxWxP543G40LF	40	500	insert UNC 4.40	metal bracket+harpoon PCB 1.60mm
D*VxWxP543G40LF	40	500	female screw UNC 4.40	metal bracket+harpoon PCB 1.60mm
D*xWxP543M40LF	40	500	without	metal bracket
D*LxWxP543M40LF	40	500	insert M3	metal bracket
D*OxWxP543M40LF	40	500	insert UNC 4.40	metal bracket
D*VxWxP543M40LF	40	500	female screw UNC 4.40	metal bracket

shell size *
E
A
A
B
C

LAYOUTS
xWx
2V2
3V3
3W3
5W5
8W8

Amphenol FCI

© 2016 AFCI

spec ref	dr	1, Product Eng	2015/06/16	projection	mm	size	A2	scale	3:1
tolerance std	eng	Gregar Mathew	2020/12/04			ecn no	ELX-33502-1	rel level	Released
ISO 406	chr	-							
ISO 1101	appr	Kuriakosa, San	2020/12/06						
surface	TOLERANCES UNLESS OTHERWISE SPECIFIED			product family	D SUB -		rel level	Released	
ISO 1302	linear	0.X	±0.3	SUB MALE DW EUROPE foot print		C01-8639-2312		rev	
		0.XX	±0.1	full power right angled solder		ptc_wm		F	
		0.XXX	±0.05	cat. no.		Product - Customer Drw		sheet 3 of 5	
	angular	0°	±2°						

PDS: Rev :F

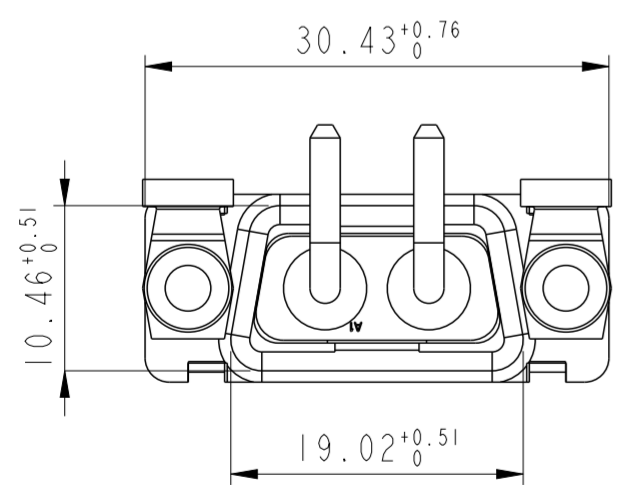
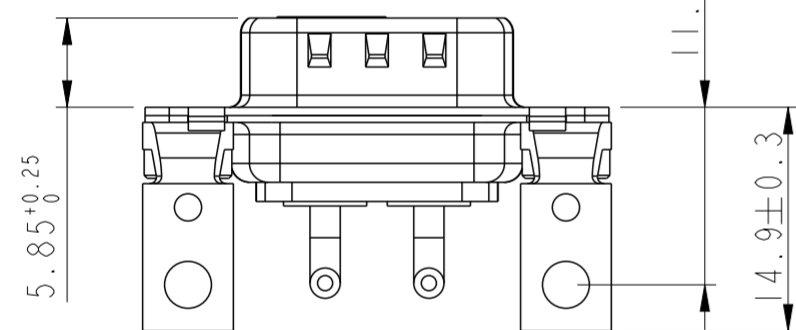
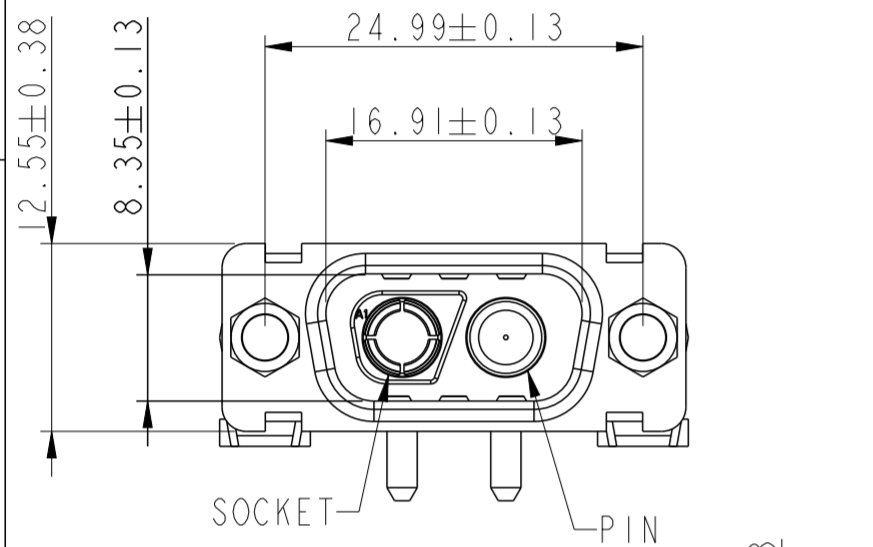
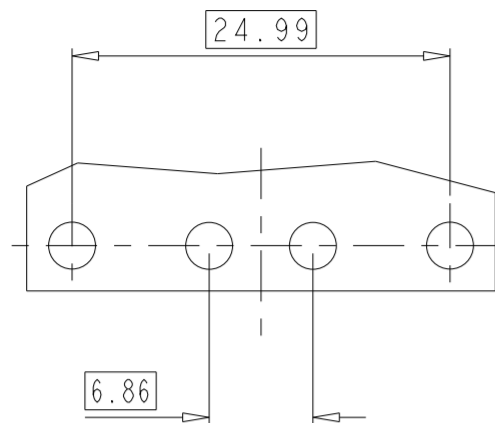
STATUS:Released

Printed: Dec 18, 2020

2V2

LAYOUT AND CONNECTOR DIMENSIONS

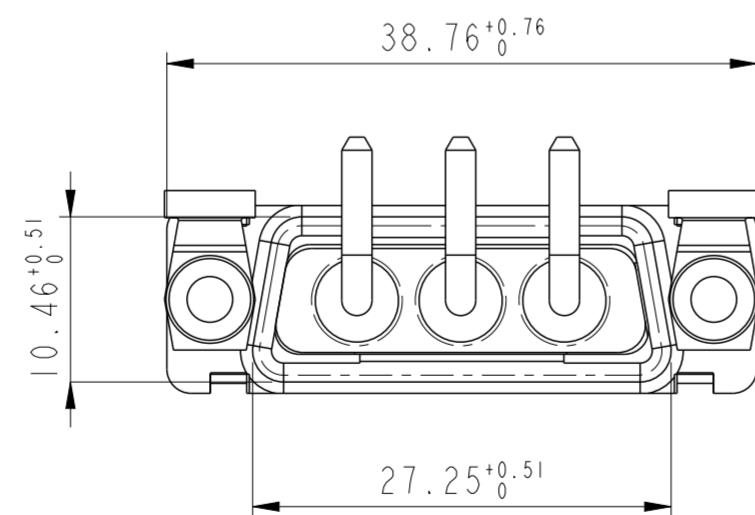
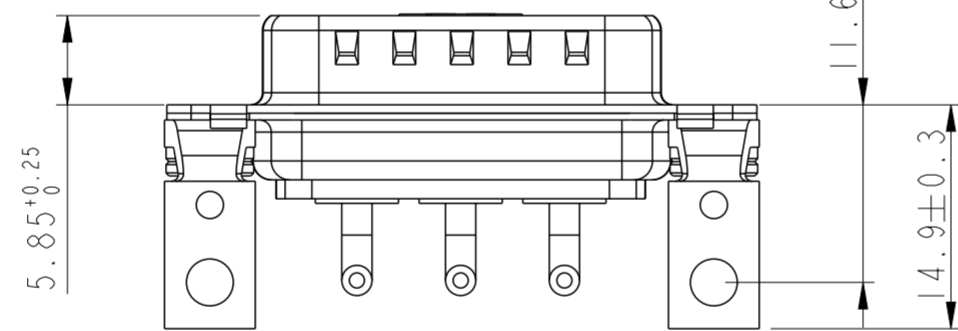
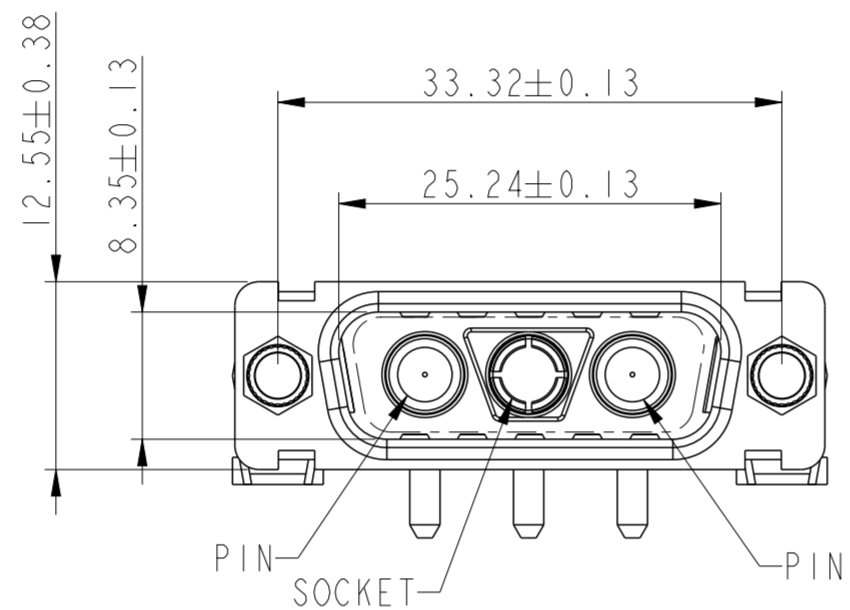
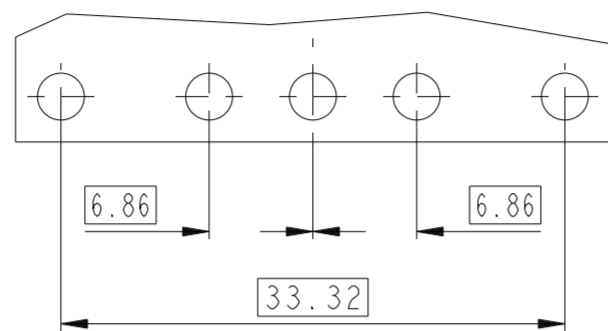
For PCB hole diameters see table I sheet I



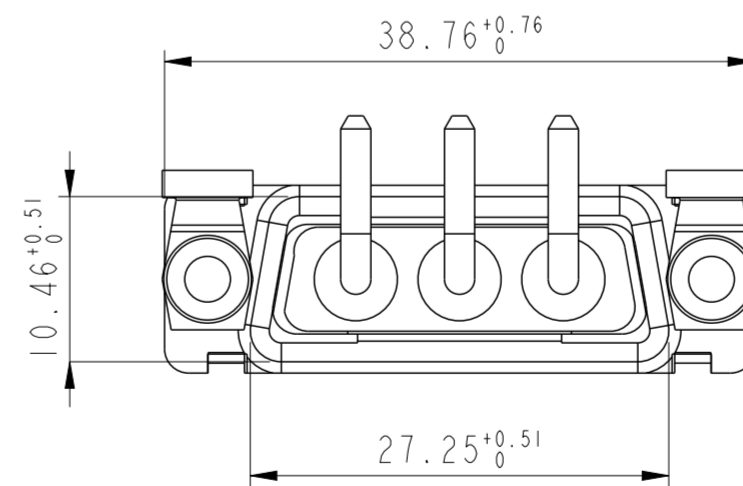
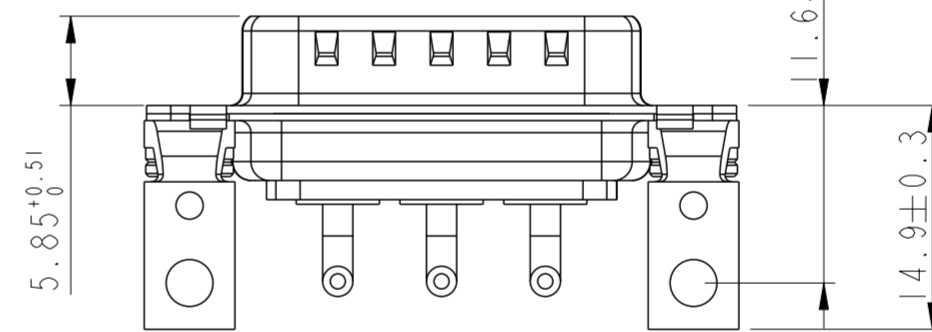
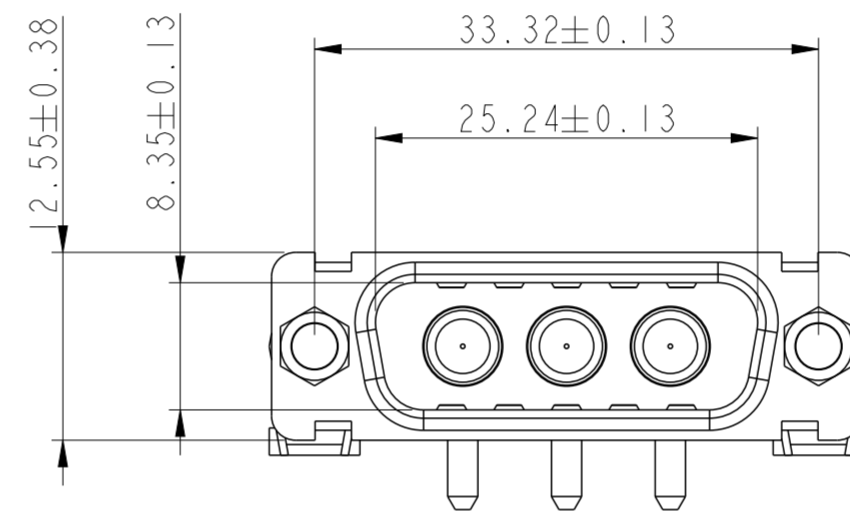
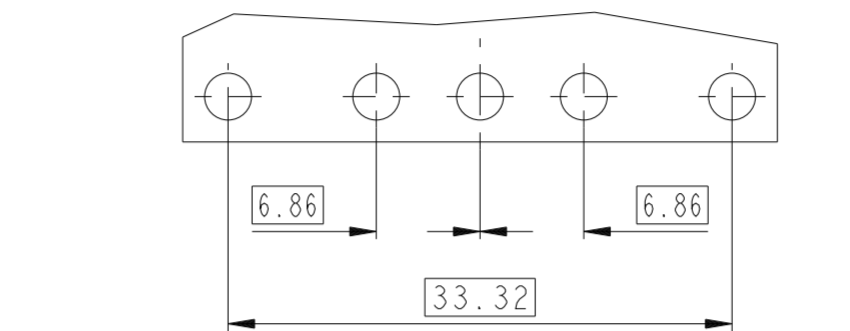
3V3

LAYOUT AND CONNECTOR DIMENSIONS

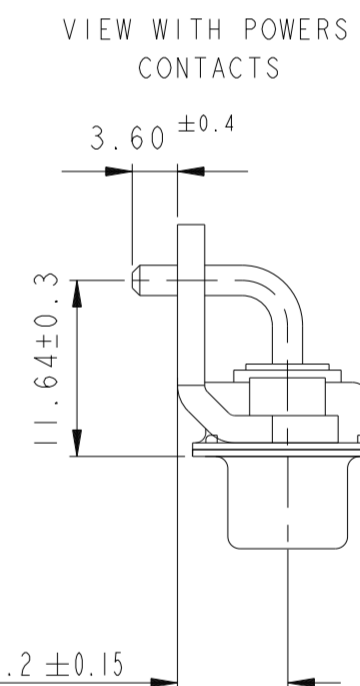
For PCB hole diameters see table I sheet I



3W3



SIDE VIEW FOR ALL LAYOUTS



Amphenol FCI

© 2016 AFCI

spec ref	dr	1, Product Eng	2015/06/16	projection	mm	size	A2	scale	2:1	
tolerance std	eng	Gregar Mathew	2020/12/04			ecn no	ELX-33502-1			
ISO 406	chr	-	rel level			Released				
ISO 1101	appr	Kuriakosa, San	2020/12/06							
surface	linear	0.X	±0.3	Amphenol FCI	product family	D SUB -		rel level	Released	
		0.XX	±0.1	title	SUB MALE DW EUROPE foot print		dwg no	C01-8639-2312		
		0.XXX	±0.05	full power right angled solder			rev	F		
ISO 1302	angular	0°	±2°	cat. no.	-		Product - Customer Drw	sheet 4 of 5		

PDS: Rev :F

STATUS:Released

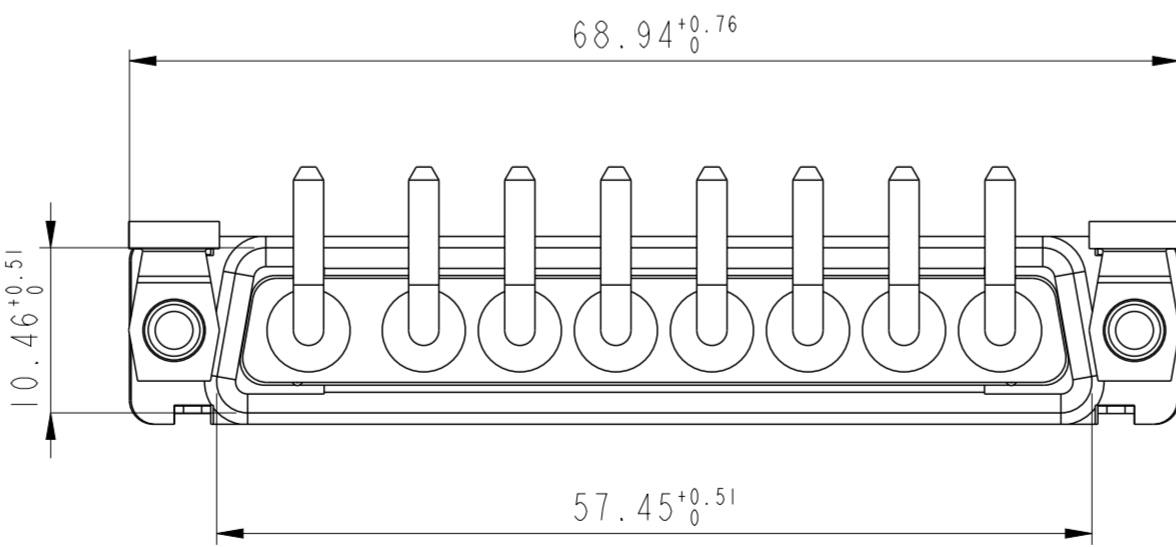
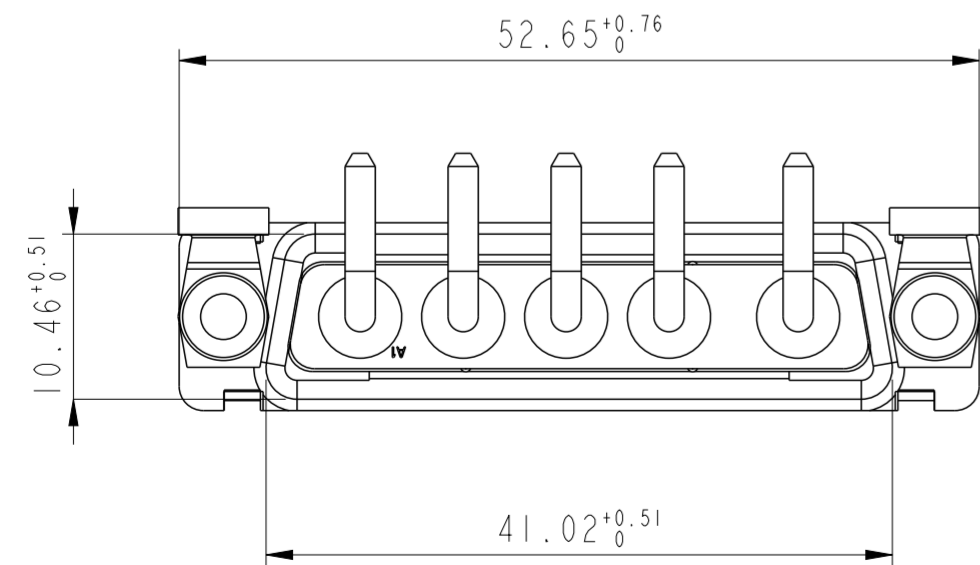
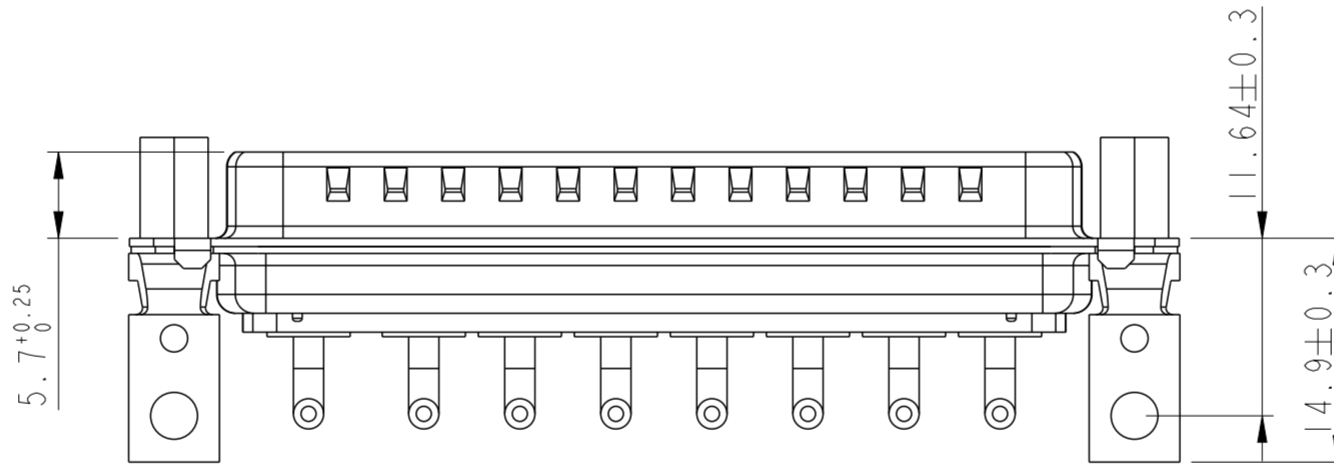
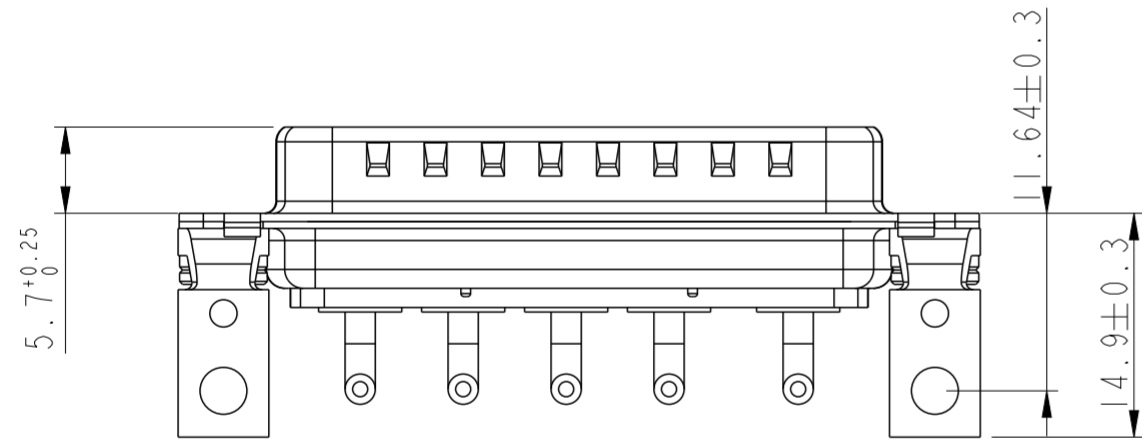
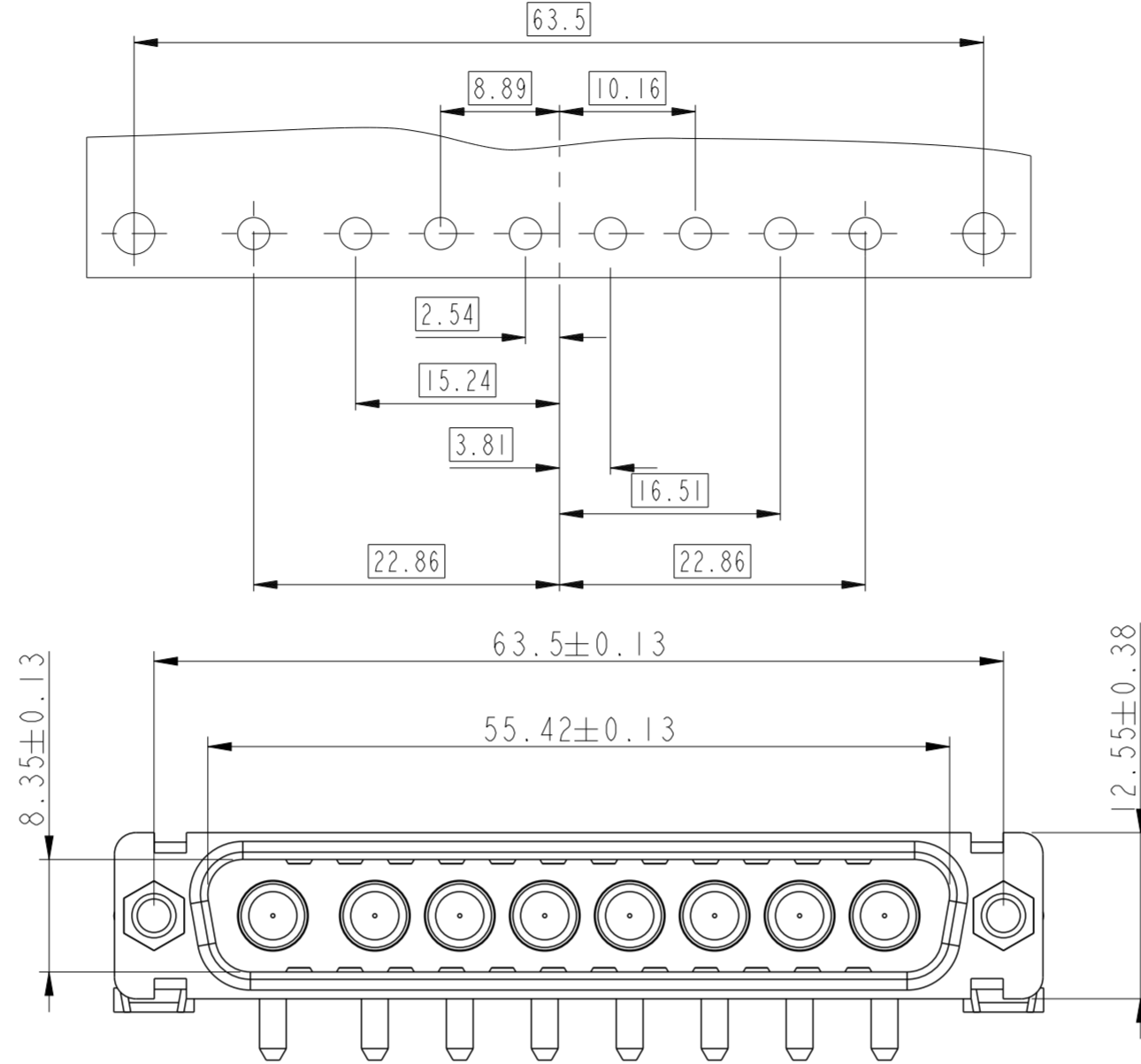
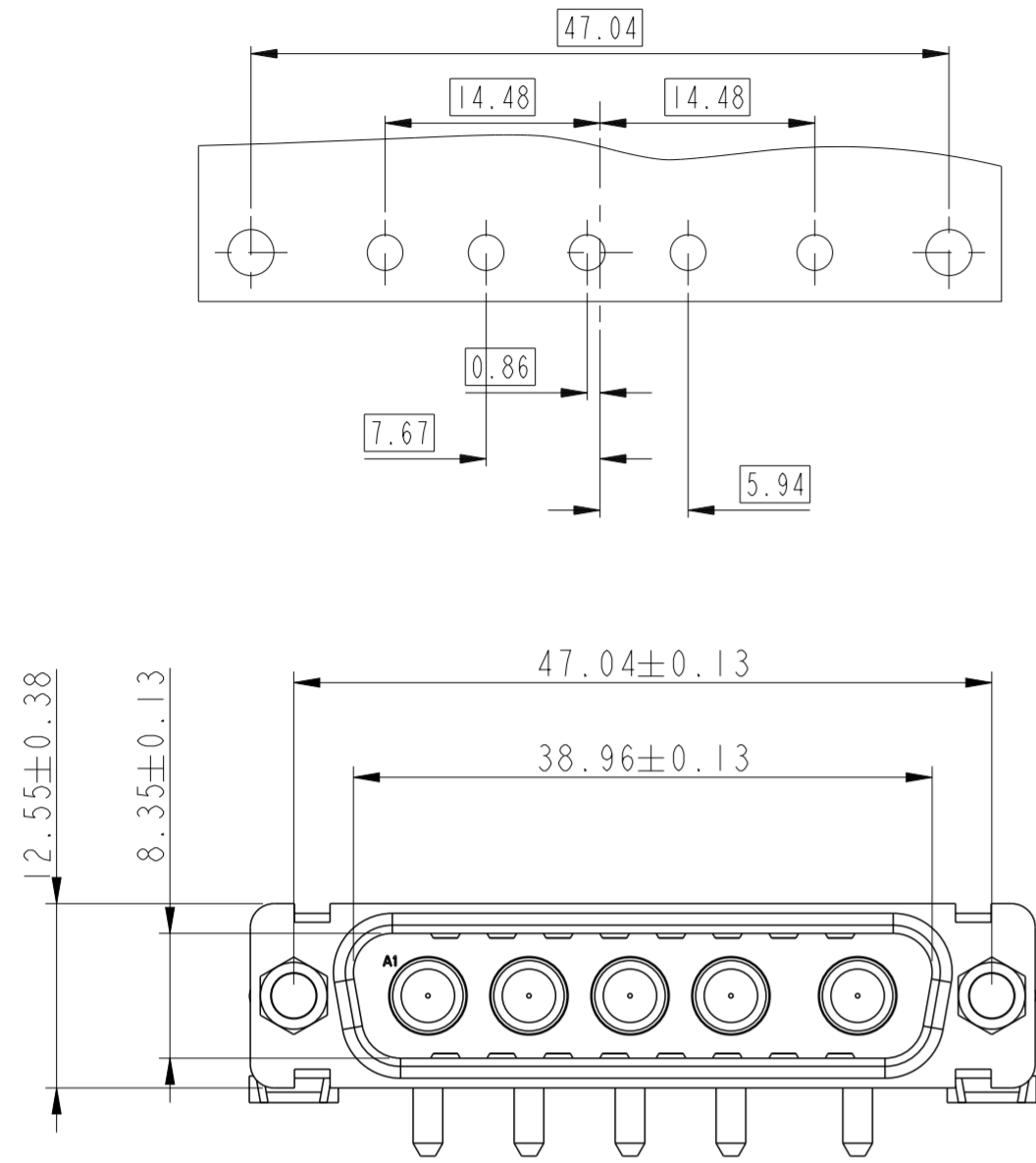
Printed: Dec 18, 2020

5W5

LAYOUT AND CONNECTOR DIMENSIONS
For PCB hole diameters see table 1 sheet 1

8W8

LAYOUT AND CONNECTOR DIMENSIONS
For PCB hole diameters see table 1 sheet 1



spec ref	dr	1, Product Eng	2015/06/16	projection	mm	size	A2	scale	2:1																
tolerance std	eng	Gregar Mathew	2020/12/04		mm	ecn no	ELX-33502-1	rel level	Released																
ISO 406	chr	-	product family							D SUB															
ISO 1101	appr	Kuriakosa, San	2020/12/06	TOLERANCES UNLESS OTHERWISE SPECIFIED		<table border="1"> <tr> <td>linear</td> <td>0.X</td> <td>±0.3</td> </tr> <tr> <td></td> <td>0.XX</td> <td>±0.1</td> </tr> <tr> <td></td> <td>0.XXX</td> <td>±0.05</td> </tr> <tr> <td>angular</td> <td>0°</td> <td>±2°</td> </tr> </table>		linear	0.X	±0.3		0.XX	±0.1		0.XXX	±0.05	angular	0°	±2°	Amphenol FCI		title SUB MALE DW EUROPE foot print full power right angled solder	cat. no. -	Product - Customer Drw	sheet 5 of 5
linear	0.X	±0.3																							
	0.XX	±0.1																							
	0.XXX	±0.05																							
angular	0°	±2°																							
surface	ISO 1302	linear angular	0.X 0.XX 0.XXX 0°	±0.3 ±0.1 ±0.05 ±2°	SUB MALE DW EUROPE foot print full power right angled solder	C01-8639-2312 ptc_wm	rev F	vis																	

Amphenol FCI

© 2016 AFCI