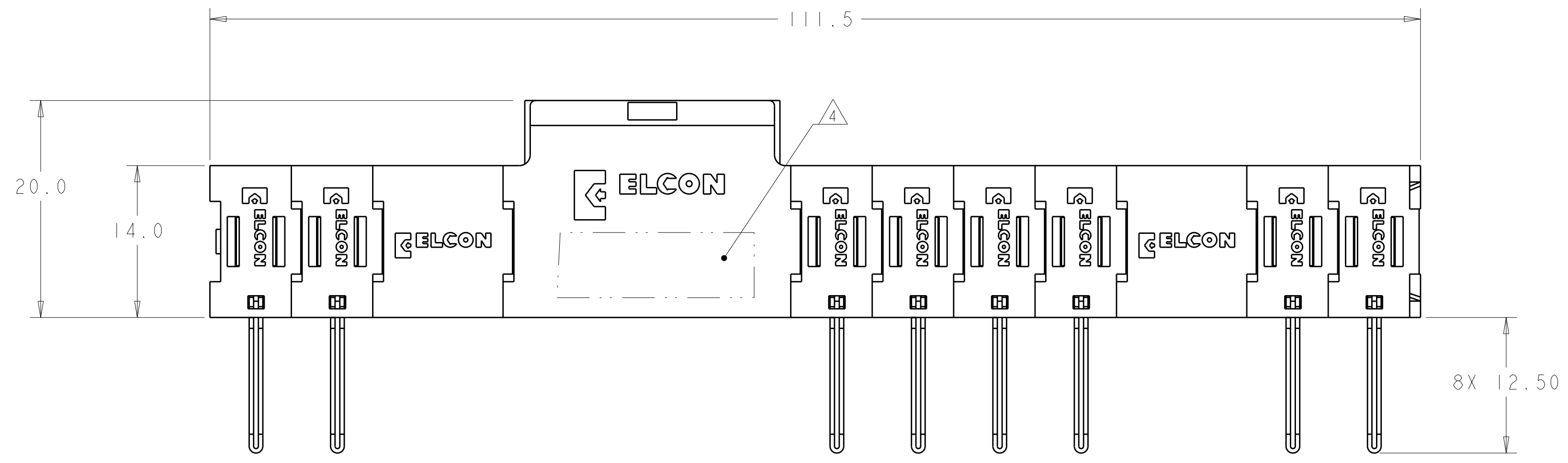


LOC	DIST	REV	DATE	BY	APP'D
GP	00	D	06JAN2009	RG	PD
		REVISIONS			
		DESCRIPTION	DATE	DWN	APP'D
		REV PER ECO-08-032052	06JAN2009	RG	PD



1. PART NUMBER CHANGES AND OR DESIGN CHANGES AFFECTING ITEM INTERCHANGEABILITY REQUIRE PRIOR TYCO ELECTRONICS APPROVAL AND AUTHORIZATION BY REVISION TO THIS DRAWING.

2 MATERIAL:
 INSULATORS - THERMOPLASTIC, GLASS REINFORCED, COLOR: BLACK, UL94V-0 FLAMMABILITY RATED.
 POWER CONTACTS - PHOSPHOR BRONZE ALLOY, COPPER ALLOY
 SOLDER SIGNAL PINS-BRASS ALLOY

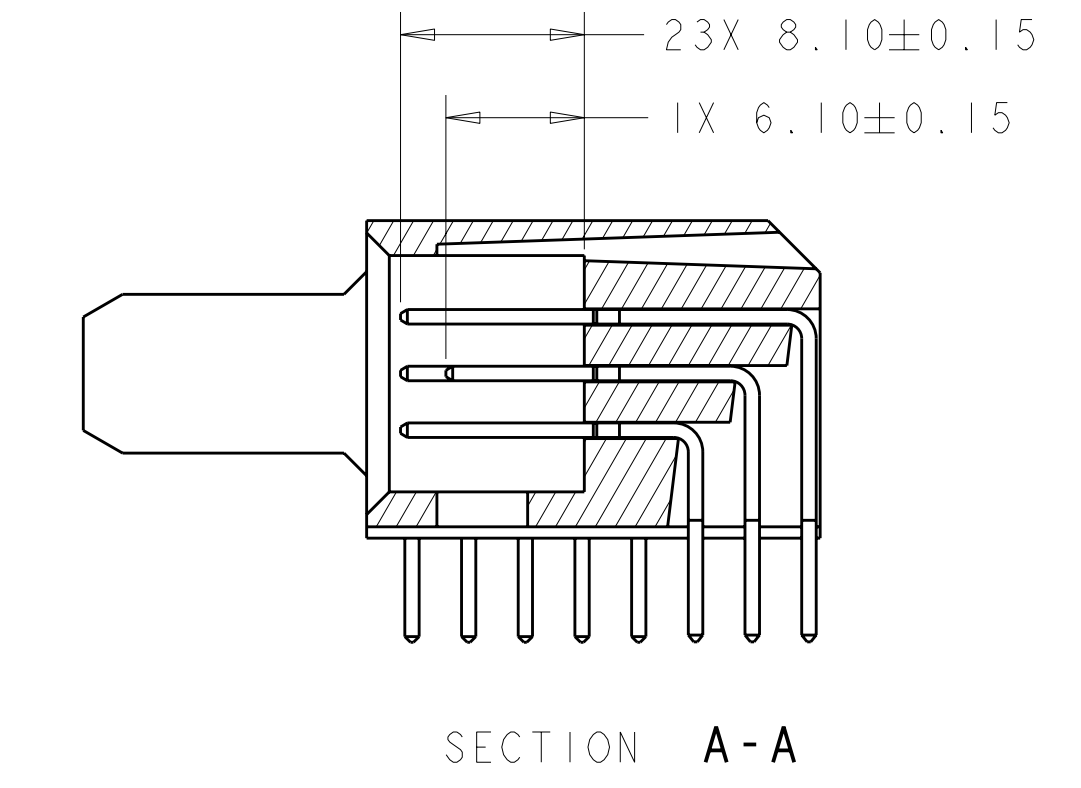
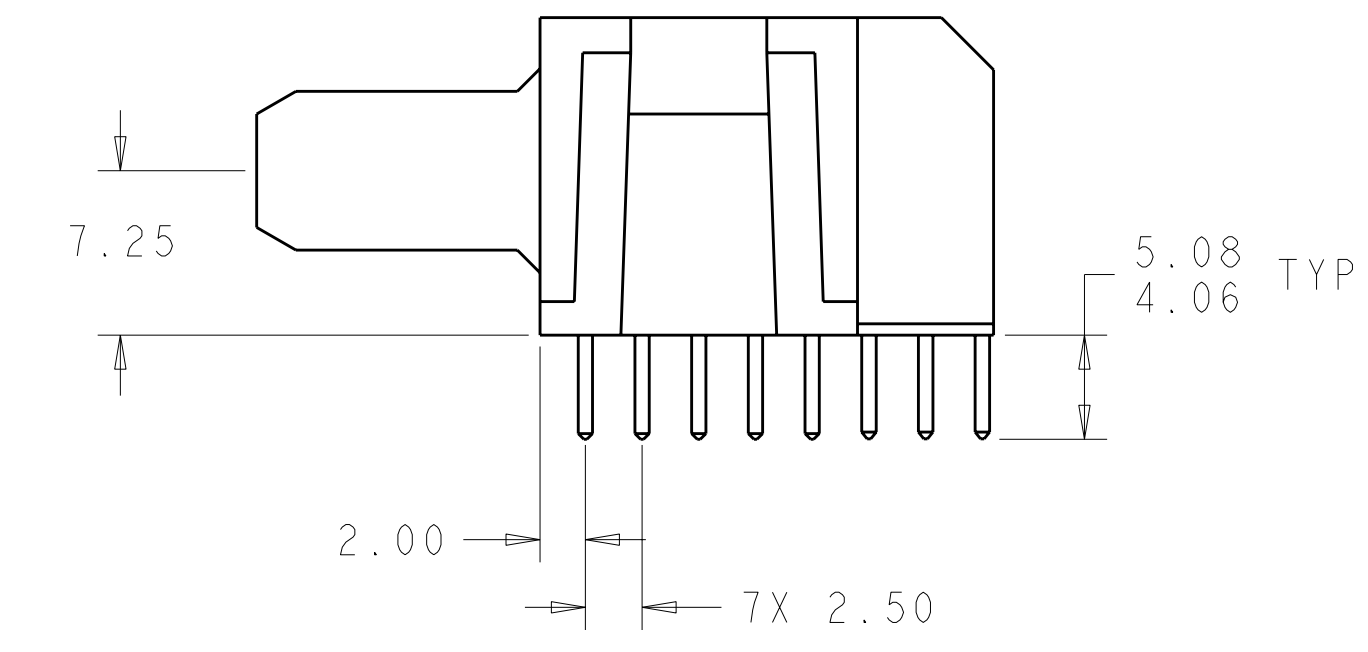
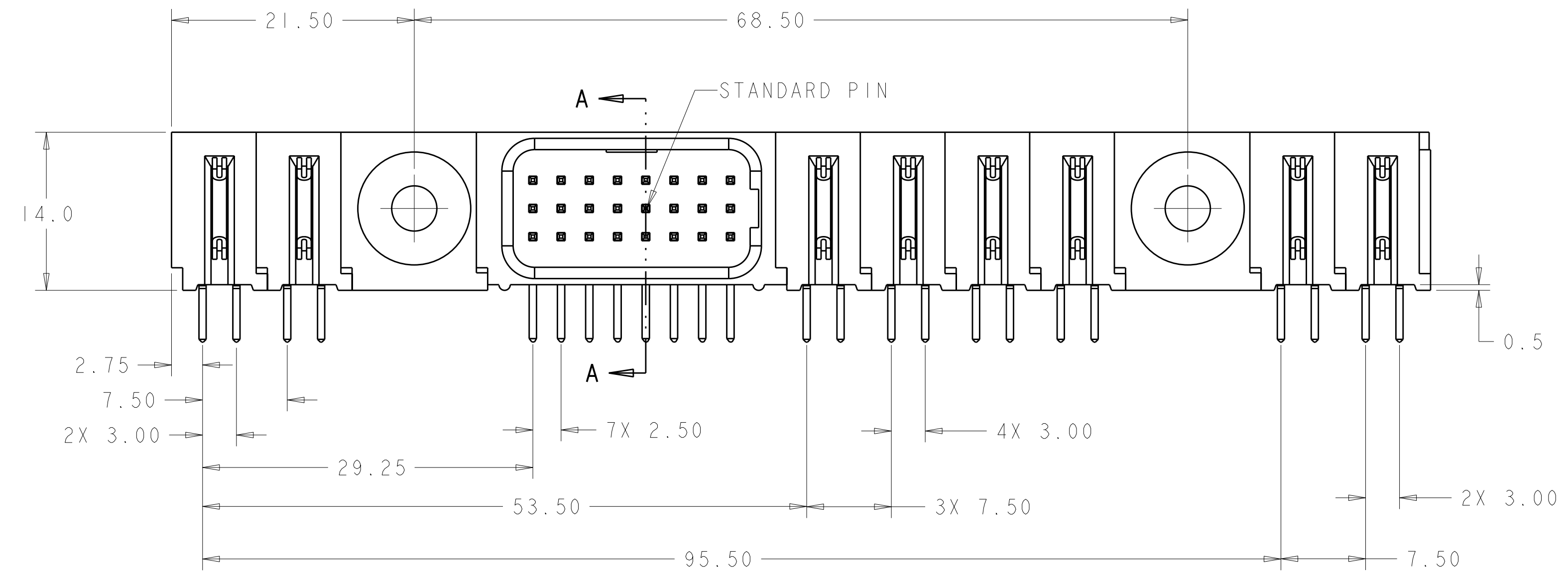
3 FINISH:
 CONTACTS - GOLD PLATE 0.76µm MIN. THK., OVER NICKEL 1.27µm MIN. THK
 SOLDER TAILS, TIN 3.05µm MIN. THK. OVER NICKEL 1.27µm MIN THK.

4 ITEMS PROVIDED TO THIS SPECIFICATION TO BE PERMANENTLY IDENTIFIED PER THE FOLLOWING IDENTIFIER LABEL



5. THIS CONNECTOR MATES WITH SOCKET CONNECTOR P/N 6646365-1

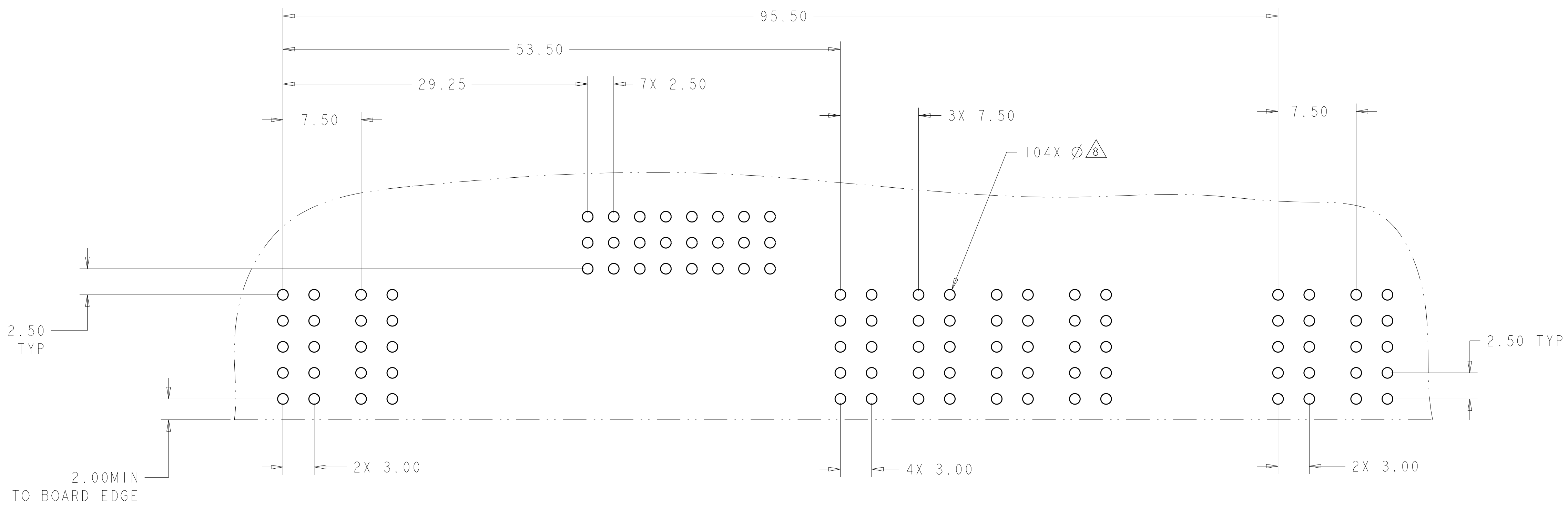
6 CUSTOM FP302 MODULE WITH ONE STANDARD PIN



ELCON FLATPAQ

AS SHOWN		6651848-1	
DESCRIPTION		PART NUMBER	
DIMENSIONS: mm [INCHES] 9 PLC ±.5 1 PLC ±.5 2 PLC ±.25 3 PLC ±.5 4 PLC ±.5 ANGLES ±.5		TOLERANCES UNLESS OTHERWISE SPECIFIED: 9 PLC ±.5 1 PLC ±.5 2 PLC ±.25 3 PLC ±.5 4 PLC ±.5 ANGLES ±.5	
MATERIAL: FINISH:		DWN: R. GRZYBOWSKI 06JAN09 CHK: P. DAMATO 06JAN09 APVD: M. PERCHERKE 06JAN09 PRODUCT SPEC: APPLICATION SPEC: WEIGHT: CUSTOMER DRAWING	
Tyco Electronics Harrisburg, PA 17105-3608		NAME: PIN CONNECTOR, RIGHT ANGLE SOLDER TAILS FLATPAQ SIZE: A100779 C=6651848 SCALE: 3:1 SHEET 1 OF 3 REV D	

LOC	DIST	REVISIONS					
GP	00	P	LTR	DESCRIPTION	DATE	DWN	APVD
		-	-	SEE SHEET 1	-	-	-

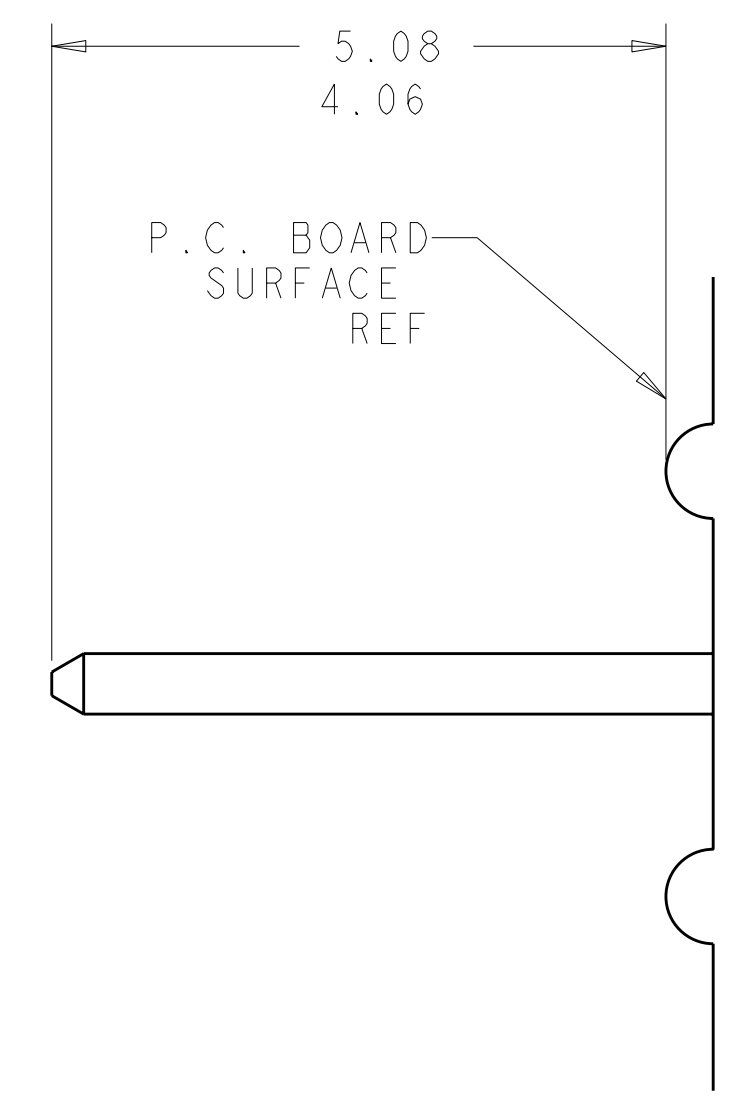


PRINTED CIRCUIT LAYOUT
 COMPONENT SIDE

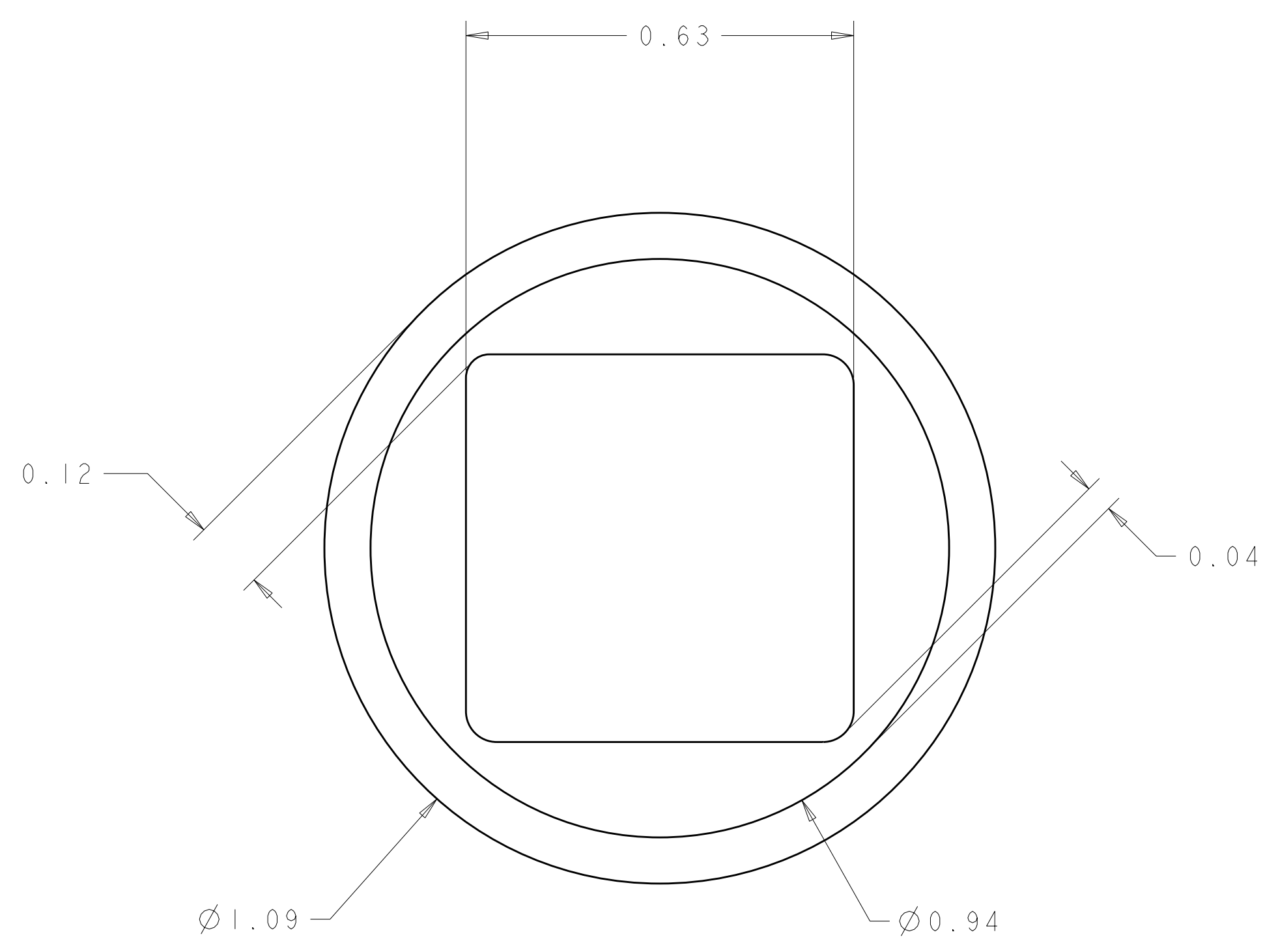
CONNECTOR	EQUIVALENT CATALOG MODULE #	MODULE QTY	CONTACT QTY	SIZE NO.	MATING PIN	MAX. CURRENT (PER CONTACT)	CONTACT SPACING	VOLTAGE RATING
PIN	FP152	8	8	8	1.25 X 7.00	35 amps	7.50	250 VOLTS
	FP302 $\triangle 6$	1	24	22	.64 SQ.	3 amps	2.50	125 VOLTS
	FP506	1	-	RIGHT ANGLE GUIDE SOCKET				

<small>THIS DRAWING IS UNPUBLISHED. RELEASED FOR PUBLICATION 20. COPYRIGHT 20 BY TYCO ELECTRONICS CORPORATION, ALL RIGHTS RESERVED.</small> <small>THIS IS SUBJECT TO CHANGE WITHOUT NOTICE AND WITHOUT OBLIGATION. TYCO ELECTRONICS CORPORATION SHALL BE CONTACTED FOR THE LATEST REVISION.</small>		DWN R. GRZYBOWSKI 06 JAN 09	Tyco Electronics Harrisburg, PA 17105-3608
DIMENSIONS: mm [INCHES]		CHK P. DAMATO 06 JAN 09	
TOLERANCES UNLESS OTHERWISE SPECIFIED: 0 PLC ±.5 1 PLC ±.5 2 PLC ±.25 3 PLC ±.5 4 PLC ±.5 ANGLES ±.5		APVD M. PERCHERKE 06 JAN 09	NAME PIN CONNECTOR, RIGHT ANGLE SOLDER TAILS FLATPAQ
MATERIAL: - FINISH: -		WEIGHT: - CUSTOMER DRAWING	SIZE: A100779 CAGE CODE: C-6651848 DRAWING NO: - RESTRICTED TO: -
ELCON FLATPAQ		SCALE: 3:1	SHEET: 2 OF 3 REV: D

LOC	DIST	REVISIONS					
GP	00	P	LTR	DESCRIPTION	DATE	DWN	APVD
		-	-	SEE SHEET 1	-	-	-



7. SOLDER PIN DETAIL
SCALE 10:1



8 SOLDER TERMINATION AREA
 SCALE 40:1
 RECOMMENDED PRINTED CIRCUIT SOLDER HOLE
 FINISHED HOLE: Ø1.02 ±.08
 DRILLED HOLE: Ø1.15 ±.013
 COPPER PLATE: .025 MIN.
 TIN PLATE: .008 MIN. (PER SURFACE)

ELCON FLATPAQ

<small>THIS DRAWING IS UNPUBLISHED. RELEASED FOR PUBLICATION 20 © COPYRIGHT 20 BY TYCO ELECTRONICS CORPORATION, ALL RIGHTS RESERVED.</small>		DWN R. GRZYBOWSKI 06 JAN 09 CHK P. DAMATO 06 JAN 09 APVD M. PERCHERKE 06 JAN 09	Tyco Electronics Harrisburg, PA 17105-3608
DIMENSIONS: mm [INCHES]	TOLERANCES UNLESS OTHERWISE SPECIFIED: 9 PLC ±.5 1 PLC ±.5 2 PLC ±.25 3 PLC ±.25 4 PLC ±.5 ANGLES ±.5 FINISH	NAME PIN CONNECTOR, RIGHT ANGLE SOLDER TAILS FLATPAQ	SIZE CAGE CODE DRAWING NO A100779C-6651848
MATERIAL -	FINISH -	WEIGHT -	RESTRICTED TO -
CUSTOMER DRAWING		SCALE 3:1	SHEET 3 OF 3 REV D