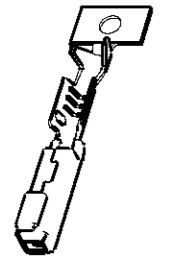
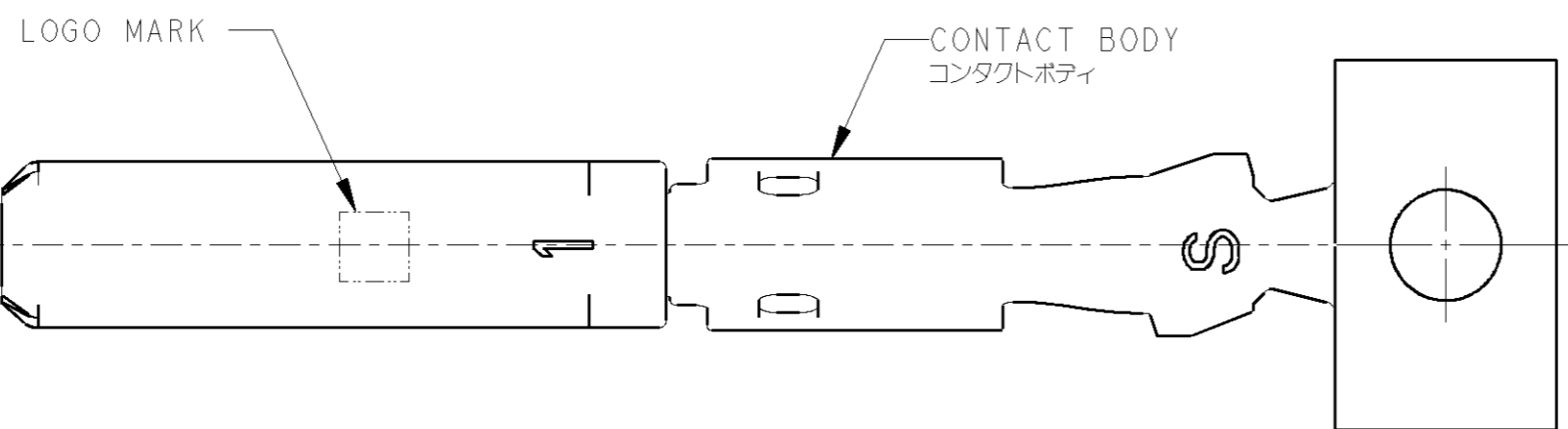
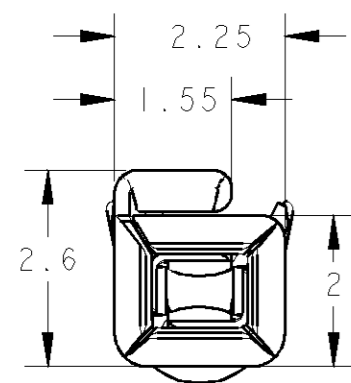
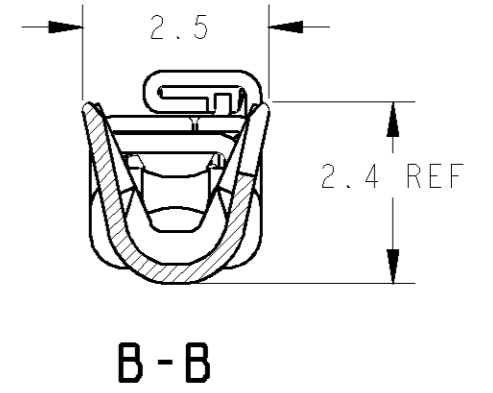
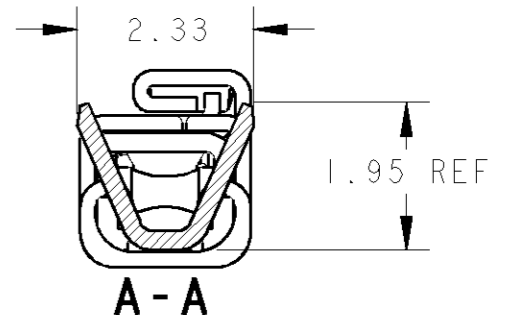
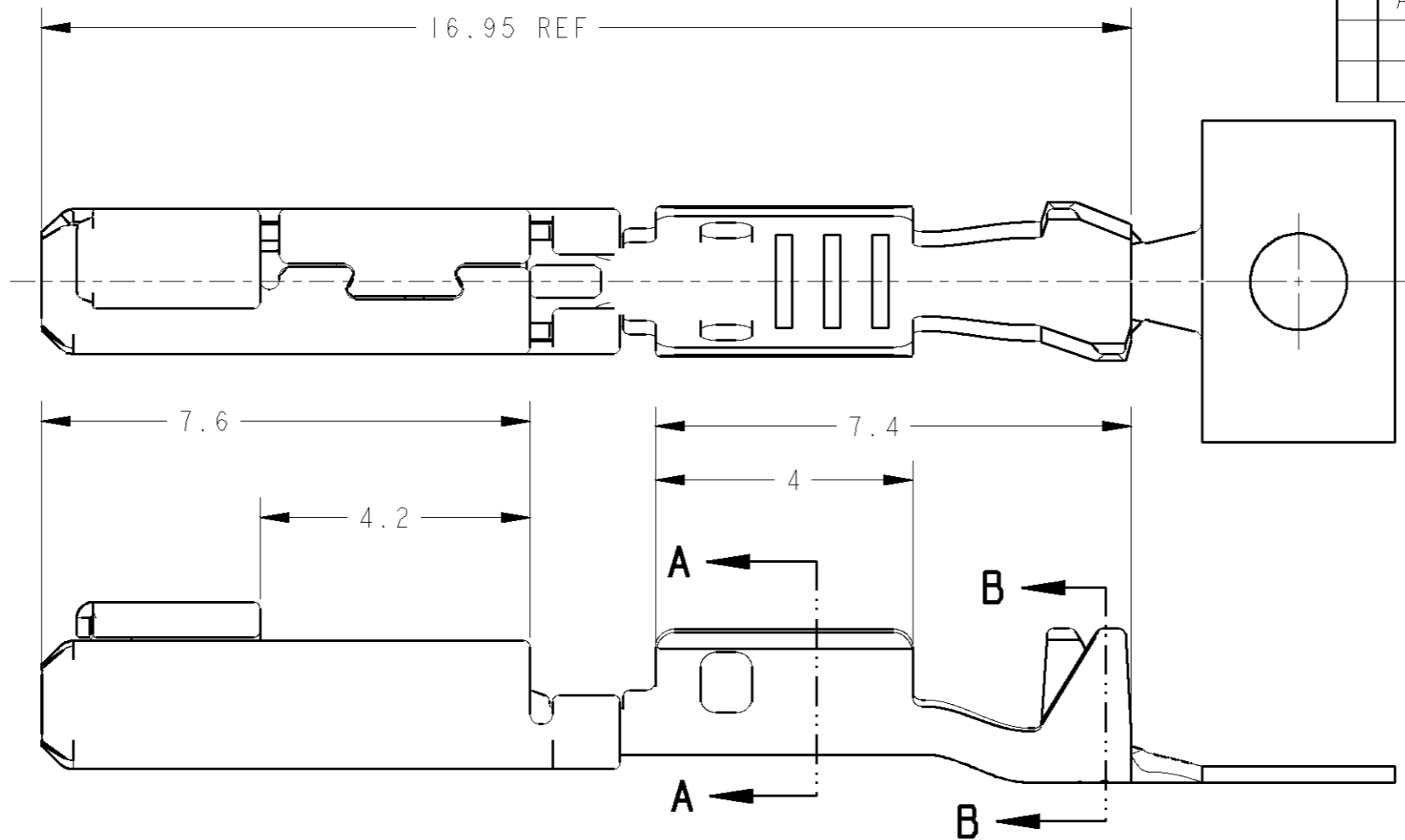


THIS DRAWING IS UNPUBLISHED. RELEASED FOR PUBLICATION 20
 © COPYRIGHT 20 BY TYCO ELECTRONICS CORPORATION. ALL RIGHTS RESERVED.

LOC	DIST	REVISIONS					
P	LTR	DESCRIPTION	ECN	DATE	DWN	APVD	
J	-	0	RELEASED	FJA0-0709-03	20-Apr-10	Y.N	Y.F
		A	REVISED	ECR-10-005857	20APR10	S.F	K.B



SCALE 2:1



1. APPLICATOR FEED : 9
 1. アプリケーター送りピッチ : 9

BRASS PRE-TIN	COPPER ALLOY PRE-TIN	1612776-1
CONTACT FERRULE コンタクトフェルル	CONTACT BODY コンタクトボディ	PRODUCT NO 製品番号
MATERIAL / FINISH 材料 / 仕上		

WIRE RANGE 包合電線断面積	0.3~0.5mm ²	INSULATION DIA 被覆外径	φ1.1~1.6
Tyco Electronics Corporation Kawasaki, Japan		NAME 名称	
DWN Y. NOGUCHI 20-Apr-10 CHK Y. FUJIWARA 20-Apr-10 APVD Y. FUJIWARA 20-Apr-10		REC CONTACT ASSY S RANGE CLEAN BODY 040 CONNECTOR	
SIZE	A3	CAGE CODE	00779
DRAWING NO 番号	C=1612776		RESTRICTED TO
CUSTOMER DRAWING			SCALE 10:1
SEE TABLE		SHEET 1 OF 1	
SEE TABLE		REV A	

THIS DRAWING IS A CONTROLLED DOCUMENT FOR TYCO ELECTRONICS CORPORATION IT IS SUBJECT TO CHANGE AND THE CONTROLLING ENGINEERING ORGANIZATION SHOULD BE CONTACTED FOR THE LATEST REVISION.	
DIMENSIONS: 単位: 概 mm	TOLERANCES UNLESS OTHERWISE SPECIFIED: 一般公差 ±0.2
	0-PLC ±
	1-PLC ±0.1
	2-PLC ±0.01
	3-PLC ±0.001
	4-PLC ±0.0001
	ANGLES ±1.00'
MATERIAL 材料	FINISH 仕上
SEE TABLE	SEE TABLE