



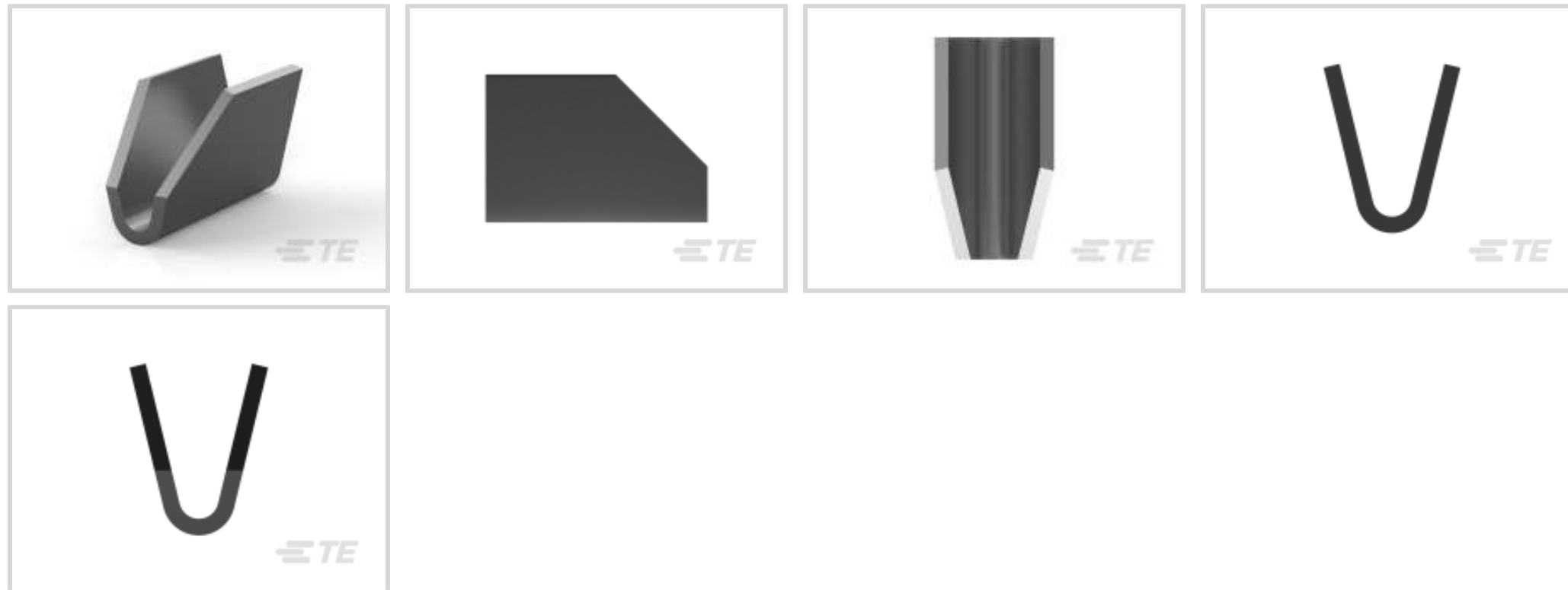
AMPLIVAR

TE Internal #: 160631-3

Splices, Pigtail Splice, 40 – 26 AWG / 26 – 18 AWG Wire Size, .1 – .9 mm² Wire Size, Splice Capacity 2, Serrated, AMPLIVAR

[View on TE.com >](#)

Terminals & Splices > Splices



Wire Size: .1 – .9 mm²

Sealable: No

Splice Capacity: 2

Splice Features: Serrated

Features

Product Type Features

Sealable	No
Splice Type	Pigtail Splice
Compatible With Discrete Wire Type	Stranded

Configuration Features

Strip Orientation	End Feed
Splice Capacity	2
Number of Serrations	2
Compatible With Wire & Cable Type	Discrete Wire

Electrical Characteristics

Operating Voltage	250 V
-------------------	-------

Body Features

Splice Features	Serrated
-----------------	----------

Contact Features

Terminal Plating Material	Tin
Contact Base Material	Brass



Barrel Type	Open
-------------	------

Mechanical Attachment

Wire Insulation Support	Without
-------------------------	---------

Dimensions

Wire Size	14 – 320 CMA, 255 – 1855 CMA
-----------	------------------------------

Barrel Inside Diameter	.9 mm[.035 in]
------------------------	----------------

Terminal Material Thickness	.32 mm[.013 in]
-----------------------------	-----------------

Product Length	5 mm[.197 in]
----------------	---------------

Usage Conditions

Insulation Option	Uninsulated
-------------------	-------------

Operating Temperature Range	-65 – 150 °C[-85 – 302 °F]
-----------------------------	----------------------------

Operation/Application

Compatible With Wire Base Material	Copper
------------------------------------	--------

Industry Standards

Government Qualified Splice	No
-----------------------------	----

Packaging Features

Packaging Quantity	8000
--------------------	------

Packaging Method	Strip
------------------	-------

Product Compliance

[For compliance documentation, visit the product page on TE.com>](#)

EU RoHS Directive 2011/65/EU	Compliant
------------------------------	-----------

EU ELV Directive 2000/53/EC	Compliant
-----------------------------	-----------

China RoHS 2 Directive MIIT Order No 32, 2016	No Restricted Materials Above Threshold
---	---

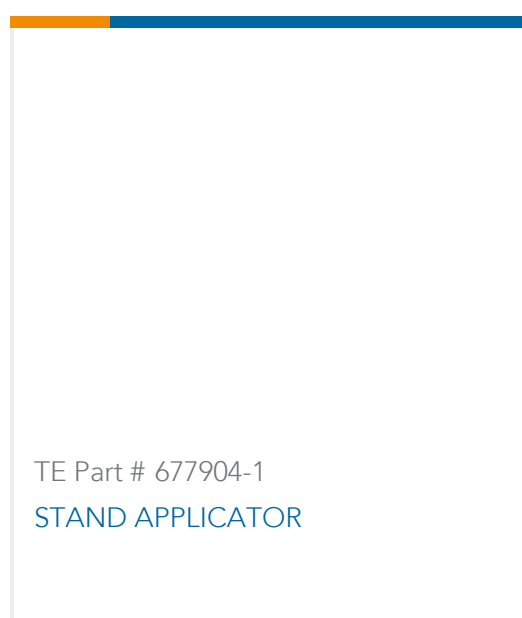
EU REACH Regulation (EC) No. 1907/2006	Current ECHA Candidate List: JUNE 2023 (235) Candidate List Declared Against: JAN 2023 (233) Does not contain REACH SVHC
--	--

Halogen Content	Low Halogen - Br, Cl, F, I < 900 ppm per homogenous material. Also BFR/CFR/PVC Free
-----------------	---

Solder Process Capability	Not applicable for solder process capability
---------------------------	--

This information is provided based on reasonable inquiry of our suppliers and represents our current actual knowledge based on the information they provided. This information is subject to change. The part numbers that TE has identified as EU RoHS compliant have a maximum concentration of 0.1% by weight in homogenous materials for lead, hexavalent chromium, mercury, PBB, PBDE, DBP, BBP, DEHP, DIBP, and 0.01% for cadmium, or qualify for an exemption to these limits as defined in the Annexes of Directive 2011/65/EU (RoHS2). Finished electrical and electronic equipment products will be CE marked as required by Directive 2011/65/EU. Components may not be CE marked. Additionally, the part numbers that TE has identified as EU ELV compliant have a maximum concentration of 0.1% by weight in homogenous materials for lead, hexavalent chromium, and mercury, and 0.01% for cadmium, or qualify for an exemption to these limits as defined in the Annexes of Directive 2000/53/EC (ELV). Regarding the REACH Regulation, the information TE provides on SVHC in articles for this part number is based on the latest European Chemicals Agency (ECHA) 'Guidance on requirements for substances in articles' posted at this URL: <https://echa.europa.eu/guidance-documents/guidance-on-reach>

Compatible Parts



Also in the Series | **AMPLIVAR**



Crimp Wire Pins, Tabs & Ferrules(5)



Magnet Wire Terminals(4)



PCB Terminals(1)



Quick Disconnects(41)

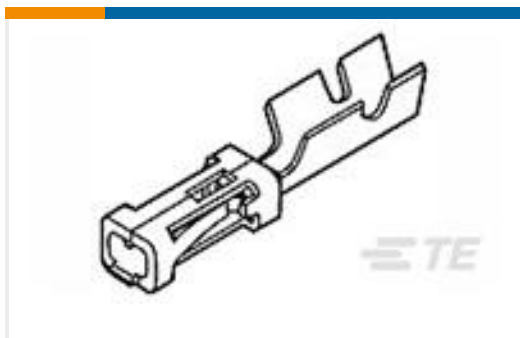


Ring Terminals & Spade Terminals(28)



Splices(77)

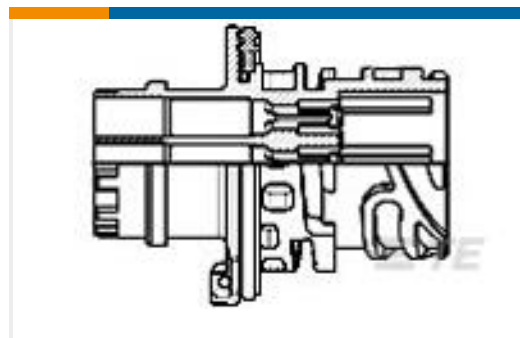
Customers Also Bought



TE Part #167301-4
MOD-4 REC.CONT.SCP



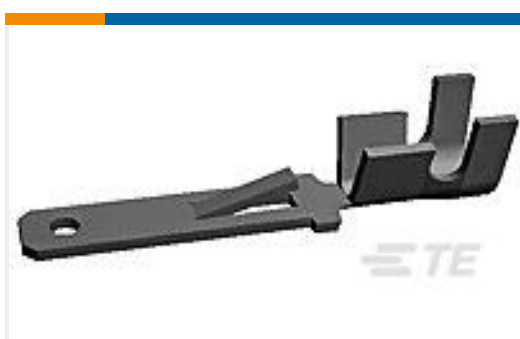
TE Part #280095-2
FF 250 REC 0.3-0.8MM2 PTBR



TE Part #2-967402-3
2,5MM ST-GH ASSY 2P



TE Part #650127-000
D-436-83



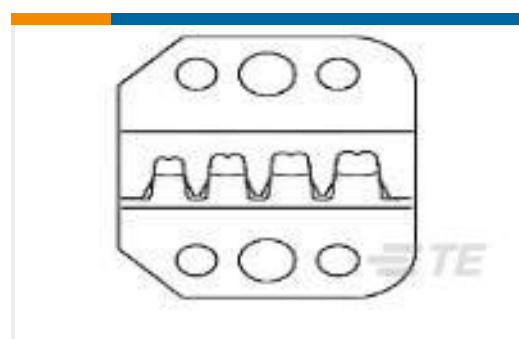
TE Part #60294-1
FF 250 TAB 22-18AWG BR



TE Part #2822352-1
070 TYPE RUBBER PLUG



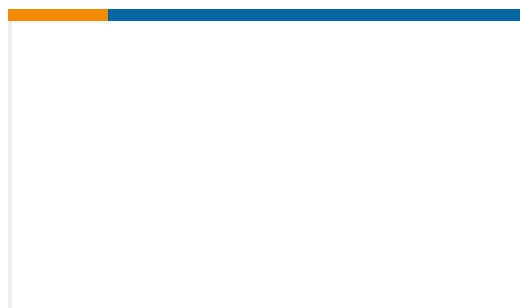
TE Part #926851-4
MAG-MATE LEAF KONT



TE Part #91337-2
SIZE 16 PRO-CRIMPER DIE



TE Part #0838016002
RBK-VWS-125-NR1-X-50MM



TE Part #7-1768019-5
EK920

Documents



Product Drawings

SUB MINIATURE AMPLIVAR SPLICE

English

CAD Files

3D PDF

3D

Customer View Model

[ENG_CVM_CVM_160631-3_P.2d_dxf.zip](#)

English

Customer View Model

[ENG_CVM_CVM_160631-3_P.3d_igs.zip](#)

English

Customer View Model

[ENG_CVM_CVM_160631-3_P.3d_stp.zip](#)

English

By downloading the CAD file I accept and agree to the [Terms and Conditions](#) of use.

Datasheets & Catalog Pages

Magnet Wire Terminals & Splices

English

Product Specifications

Application Specification

English

AMPLIVAR Subminiature Pigtail Splice

English

Product Environmental Compliance

TE Material Declaration

English
