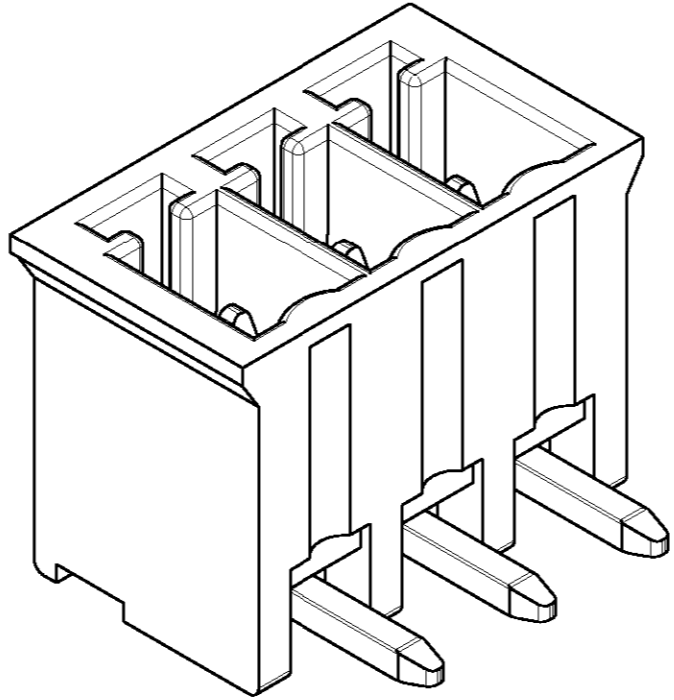
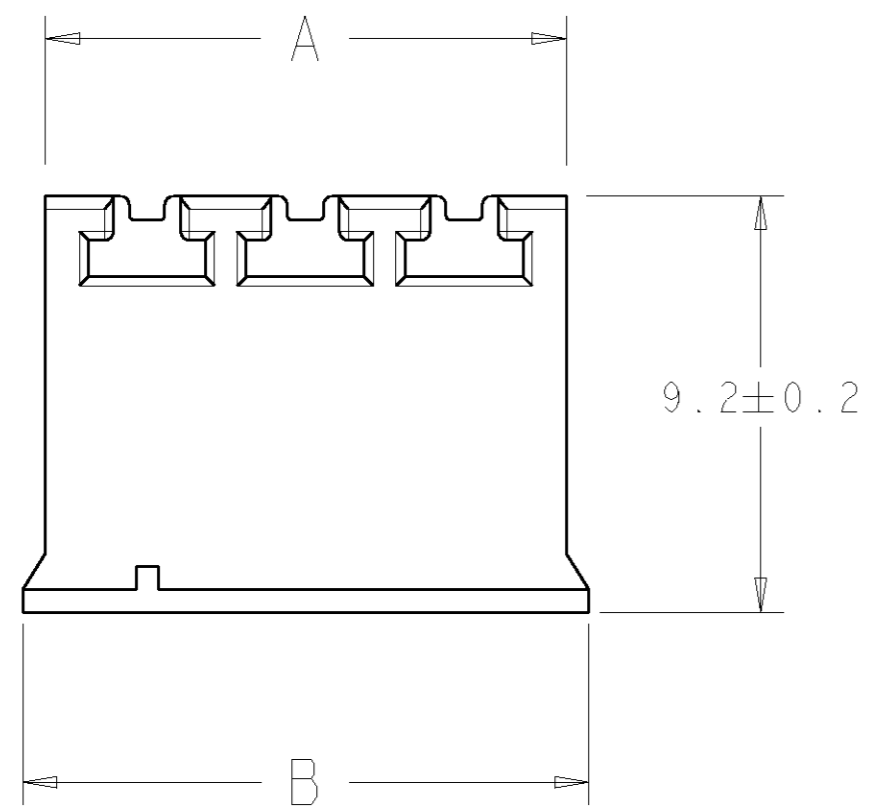


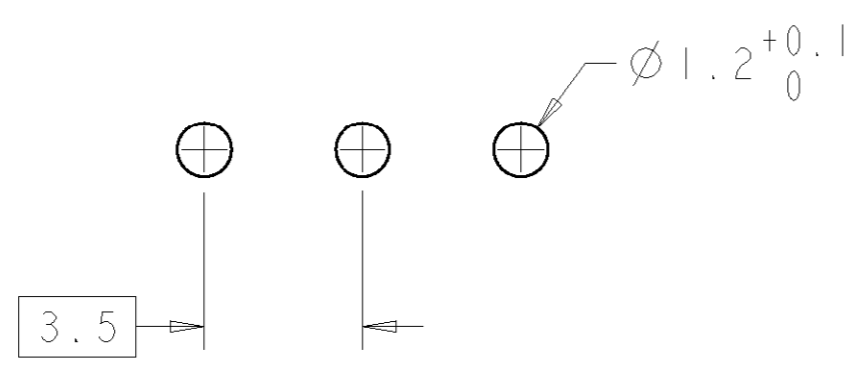
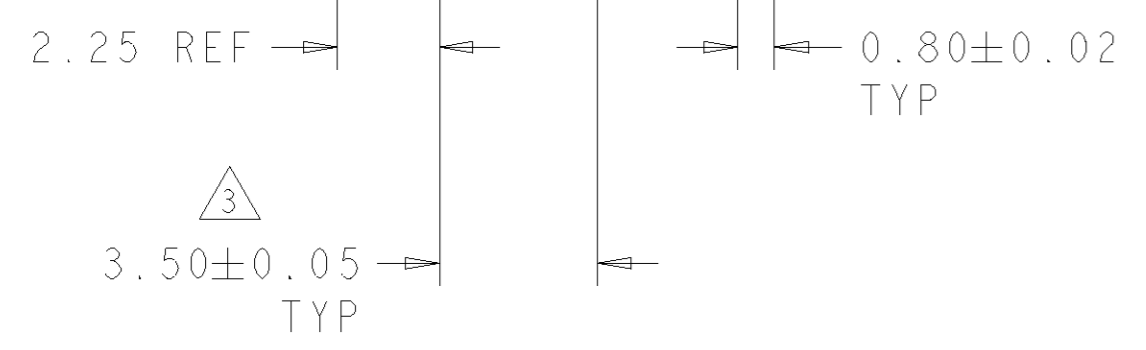
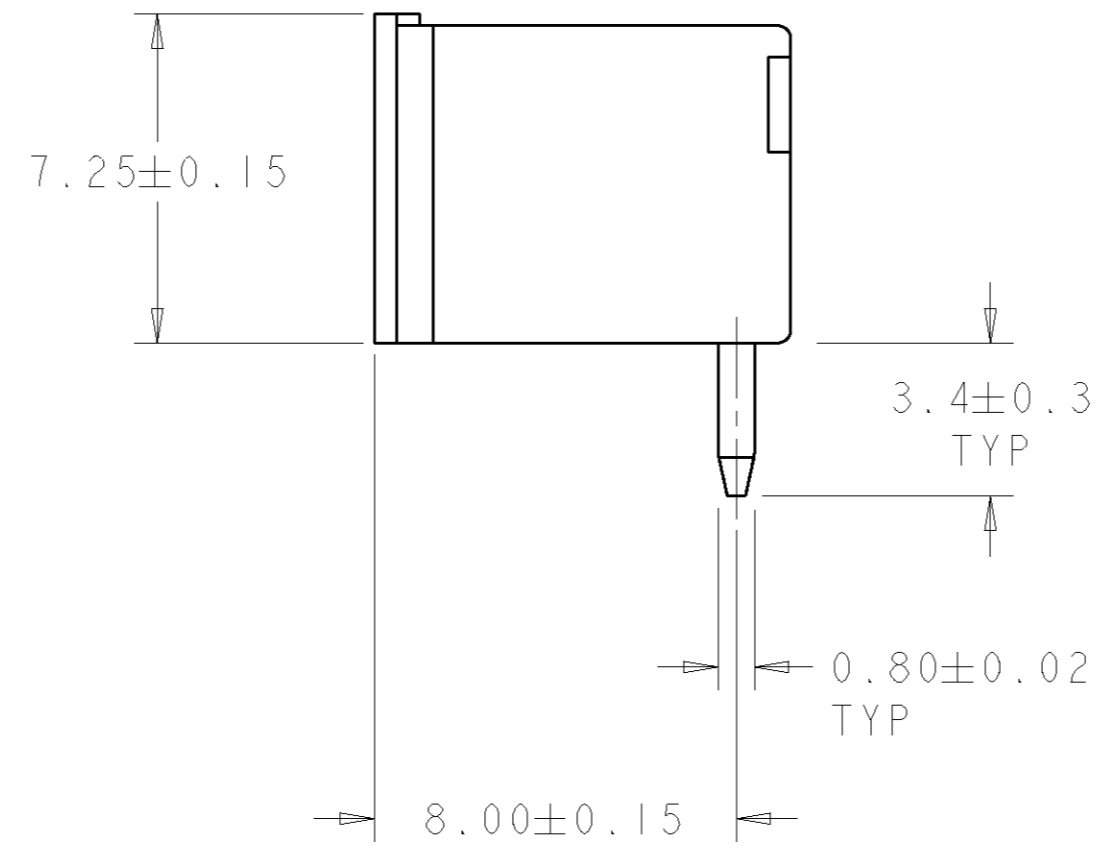
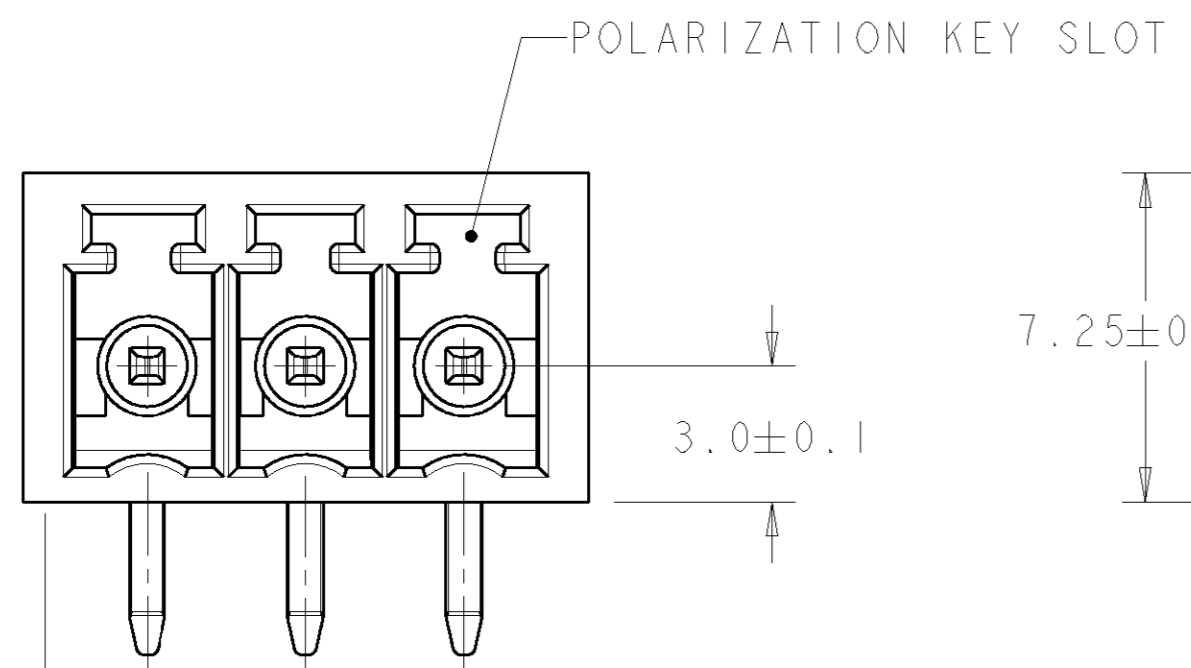
THIS DRAWING IS UNPUBLISHED. RELEASED FOR PUBLICATION 20  
 © COPYRIGHT 20 BY TYCO ELECTRONICS CORPORATION. ALL RIGHTS RESERVED.

LOC	DIST	REVISIONS					
FT	0	P	LTR	DESCRIPTION	DATE	DWN	APVD
		A		RELEASED	27NOV2000	-	-
		B		REVISED EC 0G3B-0401-04	02JUN2004	SW	CR



796695-3 AS SHOWN

- 1. MATERIALS AND FINISH:  
 HOUSING : PA 6.6, UL 94-V0, COLOR: BLUE (RAL 5012)  
 TERMINAL : BRASS, TIN PLATED
- 2. RECOMMENDED PC BOARD THICKNESS 1.6-2.4 MM.
- 3. NOT CUMULATIVE TOLERANCE.



RECOMMENDED PC BOARD LAYOUT

89.5	88.5	25	2-796695-5
86.0	85.0	24	2-796695-4
82.5	81.5	23	2-796695-3
79.0	78.0	22	2-796695-2
75.5	74.5	21	2-796695-1
72.0	71.0	20	2-796695-0
68.5	67.5	19	1-796695-9
65.0	64.0	18	1-796695-8
61.5	60.5	17	1-796695-7
58.0	57.0	16	1-796695-6
54.5	53.5	15	1-796695-5
51.0	50.0	14	1-796695-4
47.5	46.5	13	1-796695-3
44.0	43.0	12	1-796695-2
40.5	39.5	11	1-796695-1
37.0	36.0	10	1-796695-0
33.5	32.5	9	796695-9
30.0	29.0	8	796695-8
26.5	25.5	7	796695-7
23.0	22.0	6	796695-6
19.5	18.5	5	796695-5
16.0	15.0	4	796695-4
12.5	11.5	3	796695-3
9.0	8.0	2	796695-2
B	A	NO. OF POSN	PART NUMBER

<small>THIS DRAWING IS A CONTROLLED DOCUMENT FOR TYCO ELECTRONICS CORPORATION. IT IS SUBJECT TO CHANGE AND THE CONTROLLING ENGINEERING ORGANIZATION SHOULD BE CONTACTED FOR THE LATEST REVISION.</small>		DWN S. WELDON 27NOV2000 CHK D. BIEVENOUR 27NOV2000 APVD D. BIEVENOUR 27NOV2000	<b>AMP</b> Tyco Electronics Harrisburg, PA 17105-3608
DIMENSIONS: mm 	TOLERANCES UNLESS OTHERWISE SPECIFIED: 0 PLC ± 1 PLC ±0.3 2 PLC ±0.25 3 PLC ±0.000 4 PLC ±0.000 ± ANGLES ± FINISH	PRODUCT SPEC - APPLICATION SPEC - WEIGHT -	NAME: TERMI BLOK, HEADER ASSEMBLY, 90 DEGREE, CLOSED ENDS, 3.5 mm PITCH SIZE: A2 CAGE CODE: 00779 DRAWING NO: 796695 RESTRICTED TO: -
MATERIAL	FINISH	CUSTOMER DRAWING	SCALE: 6:1 SHEET 1 OF 1 REV B