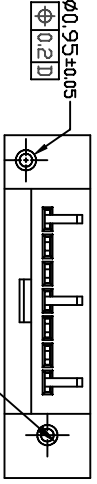
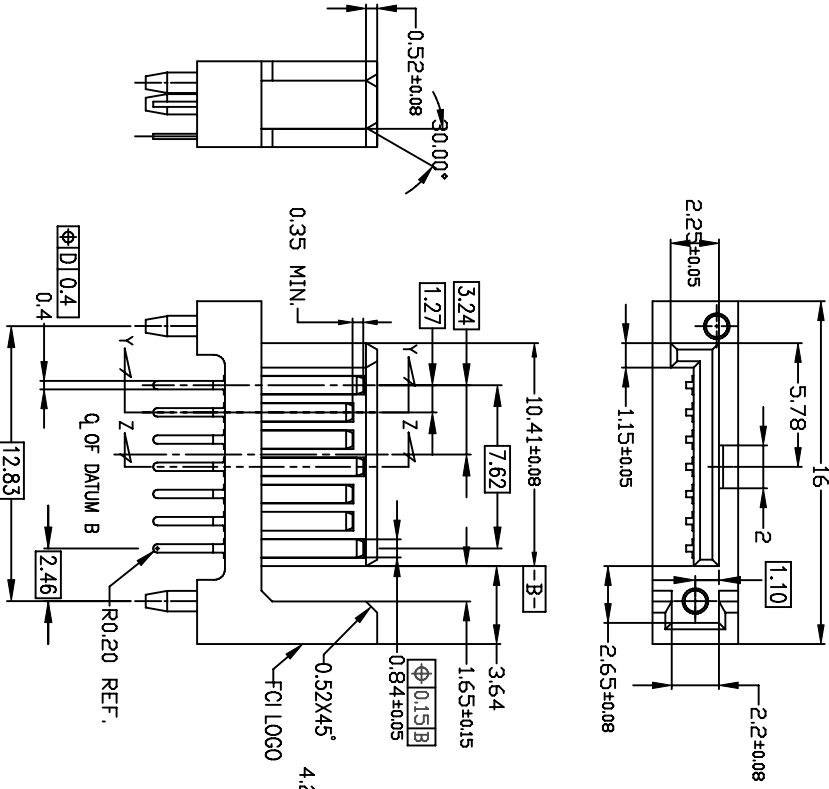
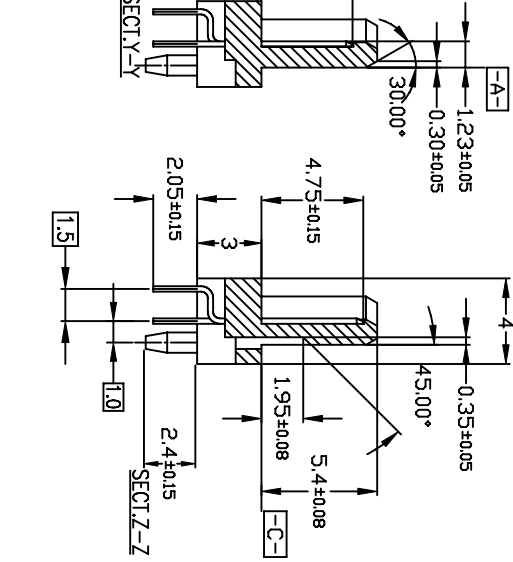


PRODUCT NO.	PLATING AT CONTACT PT	HOUSING COLOR	PLATING AT SOLDER TAIL	HOLD DOWN
59333-001	0-30um/15u" min	BLACK	For part : 59333-xxx (CANCEL)	METAL POST
59333-101	0-30um/15u" min	BLUE		
59333-021	0-30um/3u" min	BLACK	For Leadfree part 59333-xxxLF (CANCEL)	
59333-121	0-30um/3u" min	BLUE		



-D-

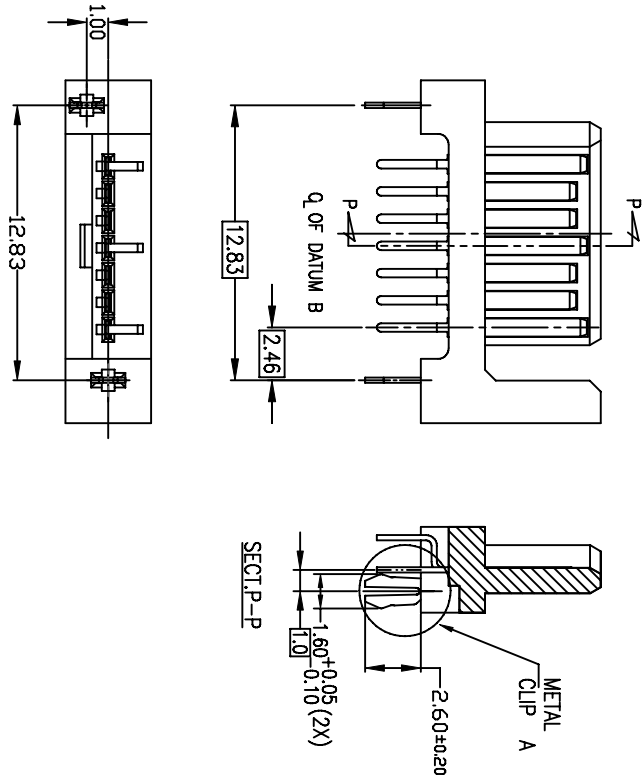
- NOTE
- THIS PRODUCT MEETS THE S-ATA SPEC REV. 1.0a
 - MATERIAL
 - i) HOUSING : HIGH TEMPERATURE THERMOPLASTIC UL94V-0
 - ii) TERMINAL : COPPER ALLOY
 - iii) HOLD DOWN : COPPER ALLOY
 - 3a. P/N: 59333-XXX
 - i) ~~TERMINAL : Au PLATING AT CONTACT POINT (REFER TABLE)~~
 - ~~ii) ~~TERMINAL : Au PLATING AT CONTACT POINT (REFER TABLE)~~~~
 - ~~iii) ~~TERMINAL : Au PLATING AT CONTACT POINT (REFER TABLE)~~~~
 - 3b. P/N: 59333-XXXLF (REFER TO LEADFREE PRODUCT)
 - i) TERMINAL : Au PLATING AT CONTACT POINT (REFER TABLE)
 - ii) HOLD DOWN : Sn PLATING
 - iii) HOLD DOWN : Sn PLATING
 4. THE HOUSING WILL WITHSTAND EXPOSURE TO 260°C PEAK TEMPERATURE FOR 10 SECONDS IN A WAVE SOLDER APPLICATION WITH A 1.6mm MINIMUM THICK CIRCUIT BOARD.
 5. FOR P/N NO: 59333-XXXLF, THIS PRODUCT MEETS EUROPEAN UNION DIRECTIVES AND OTHER COUNTRY REGULATIONS AS DESCRIBED IN GS-22-008.



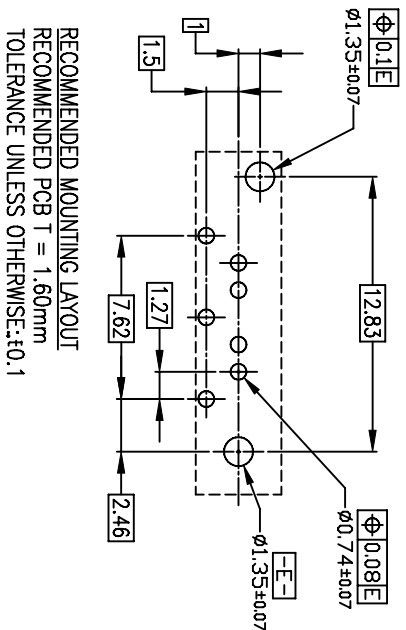
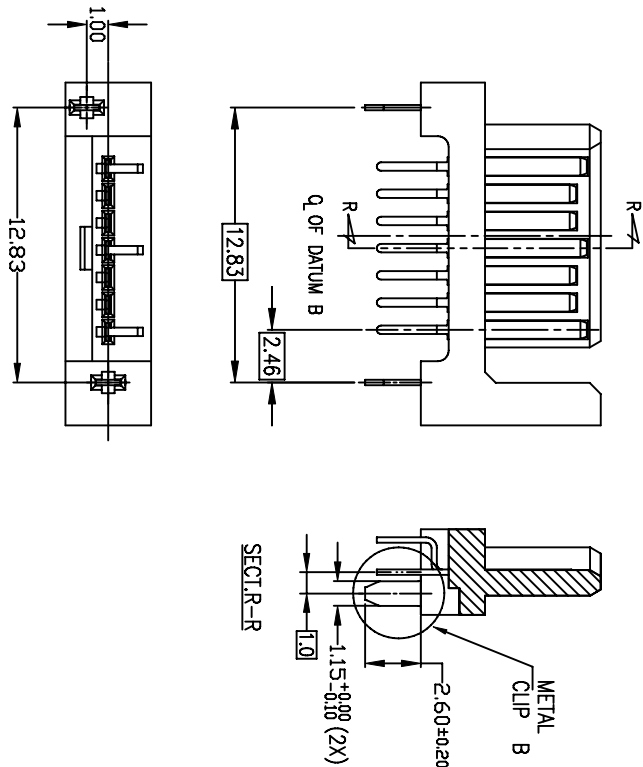
mot'l. code		tolerances unless otherwise specified		CUSTOMER COPY		FCI		title	
lir	ecn no	dr	dtte	linear	projection	product family	product size	product family	code
A	S03-0057	JPEH	04/15/03	.XX ± 0.20		SATA		SATA	TWN
B	S03-0162	JPEH	11/03/03	.XXX ± 0.10					
C	S04-0170	JPEH	08/04/04	0° ± 2°					
D	S04-0244	GIL	11/16/04						
E	T06-0189	S.Lin	11/16/06						
sheet index	revision			chr	GL	LOO			
				JOEY	NG				
1	2								



PRODUCT NO.	PLATING AT CONTACT PT	HOUSING COLOR	PLATING AT SOLDERTAIL	HOLD DOWN
59333-002LF	0.38um/ 15u" min	BLACK	For part : 59333-xxx (CANCEL)	METAL CLIP A
59333-102LF	0.38um/ 15u" min	BLUE	For Leadfree part 59333-xxxLF Refer Note 3b & 5	
59333-022LF	0.076um/ 3u" min	BLACK		
59333-122LF	0.076um/ 3u" min	BLUE		



PRODUCT NO.	PLATING AT CONTACT PT	HOUSING COLOR	PLATING AT SOLDERTAIL	HOLD DOWN
59333-003LF	0.38um/ 15u" min	BLACK	For part : 59333-xxx (CANCEL)	METAL CLIP B
59333-103LF	0.38um/ 15u" min	BLUE	For Leadfree part 59333-xxxLF Refer Note 3b & 5	
59333-023LF	0.076um/ 3u" min	BLACK		
59333-123LF	0.076um/ 3u" min	BLUE		



RECOMMENDED MOUNTING LAYOUT
RECOMMENDED PCB T = 1.60mm
TOLERANCE UNLESS OTHERWISE:±f0.1

mot'l. code	ecn no	dr	date	lineor	tolerances unless otherwise specified	CUSTOMER COPY	projection	scale	product family	product title	code
A	S03-0057	JPEH	04/15/03		.XX ± 0.20				SATA	S-ATA SIGNAL PLUG DIP VERTICAL TYPE ASS'y	TWN
B	S03-0162	JPEH	11/03/03		.XXX ± 0.10				SATA	S-ATA SIGNAL PLUG DIP VERTICAL TYPE ASS'y	TWN
C	S04-0170	JPEH	08/04/04	angles	0° ±2°				SATA	S-ATA SIGNAL PLUG DIP VERTICAL TYPE ASS'y	TWN
D	S04-0244	GLL	11/16/04	dr					SATA	S-ATA SIGNAL PLUG DIP VERTICAL TYPE ASS'y	TWN
E	T06-0189	S.Lin	11/16/06	engr					SATA	S-ATA SIGNAL PLUG DIP VERTICAL TYPE ASS'y	TWN
				chr	GL L00						
				pppd	JOEY NG						
sheet index	revision	sheet	E	E	1	2					