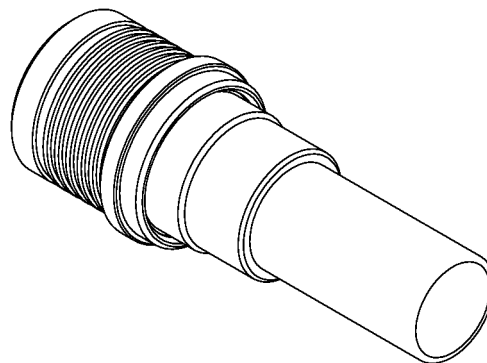
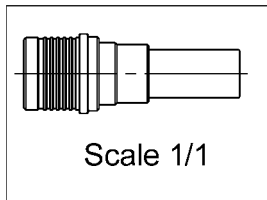
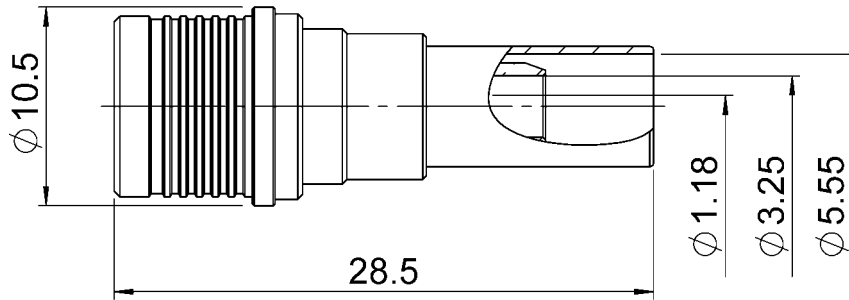
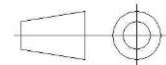


PAGE 1/2	ISSUE 27-09-18C	SERIES QMA	PART NUMBER R123096110
----------	-----------------	-------------------	-------------------------------



All dimensions are in mm. Tolerances according ISO 2768 m-H



COMPONENTS	MATERIALS	PLATING (μm)
Body	BRASS	BBR
Center contact	BRASS	GOLD OVER COPPER
Outer contact	BRONZE	BBR
Insulator	PTFE	
Gasket		
Others parts	BRASS	BBR
-	-	-
-	-	-

PAGE 2/2	ISSUE 27-09-18C	SERIES QMA	PART NUMBER R123096110
----------	-----------------	------------	------------------------

PACKAGING

Standard	Unit	Other
100	Contact us	Contact us

ELECTRICAL CHARACTERISTICS

Impedance		50	Ω
Frequency		0-6	GHz
VSWR	1.1	+	0.0500 x F(GHz) Maxi
Insertion loss		0.075	√F(GHz) dB Maxi
RF leakage	- (80	- F(GHz)) dB Maxi
Voltage rating		335	Veff Maxi
Dielectric withstanding voltage		1000	Veff mini
Insulation resistance		5000	MΩ mini

MECHANICAL CHARACTERISTICS

Center contact retention			
Axial force – Mating End		18	N mini
Axial force – Opposite end		18	N mini
Torque		NA	N.cm mini
Recommended torque			
Mating		NA	N.cm
Panel nut		NA	N.cm
Clamp nut		NA	N.cm
A/F clamp nut		0.0000	mm
Mating life		100	Cycles mini
Nominal Weight (Add +15% for max weight)		6.5340	g

ENVIRONMENTAL

Operating temperature	-40/+80	°C
Hermetic seal	NA	Atm.cm3/s
Panel leakage	NA	

SPECIFICATION

CABLE ASSEMBLY

Stripping	a	b	c	d	e	f
mm	4	6.3	11.1	0	7.1	0

Assembly instruction: **Crimp 03***

Recommended cable(s)
LMR 200
AEP-200FR

Characteristics indicated on this data sheet are those that can be achieved with the highest performance cable. Intrinsic limitations of the cable may diminish the performance of the assembly

Cable retention

- pull off	220	N mini
- torque	NA	N.cm

TOOLING

Part Number	Description	Hexagon
R282223000	CRIMPING TOOL	5.41
R282281000	CRIMPING TOOL	
R282967013	POSITIONER FOR CRIMPING TOOL	2x4 POS. 6

OTHER CHARACTERISTICS

***prior to step two of Crimp 03, slide disk insulator onto center conductor, and bottom contact on disk insulator**