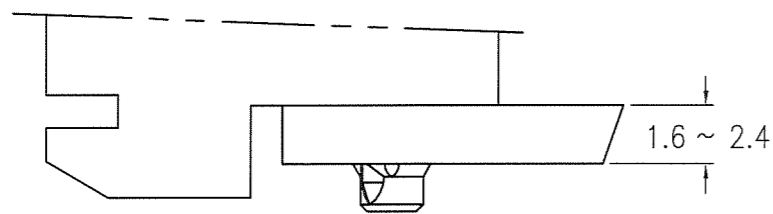
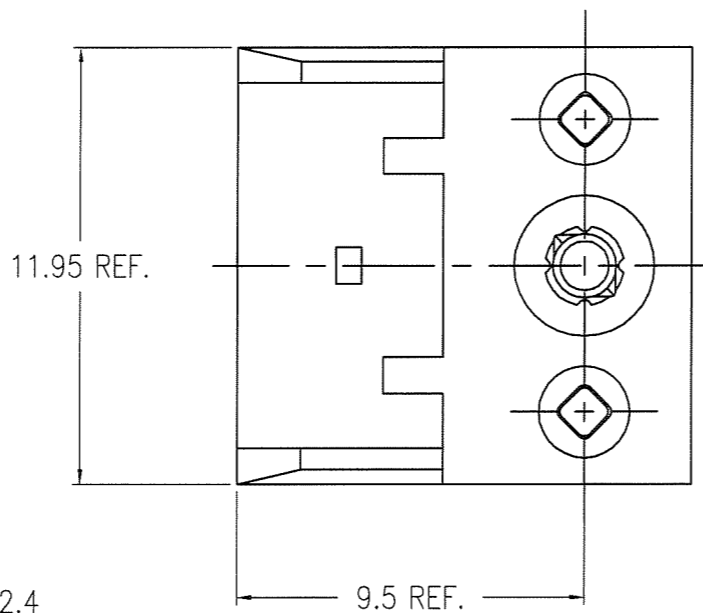
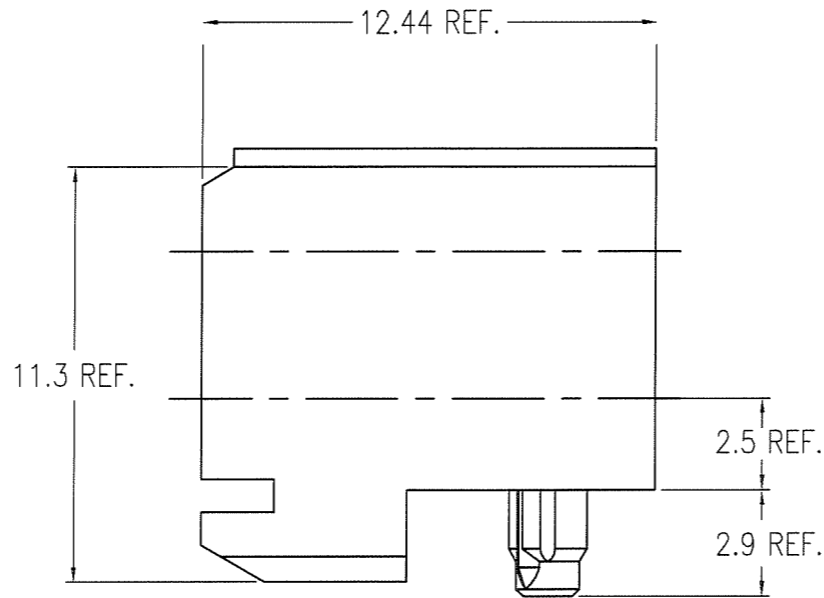
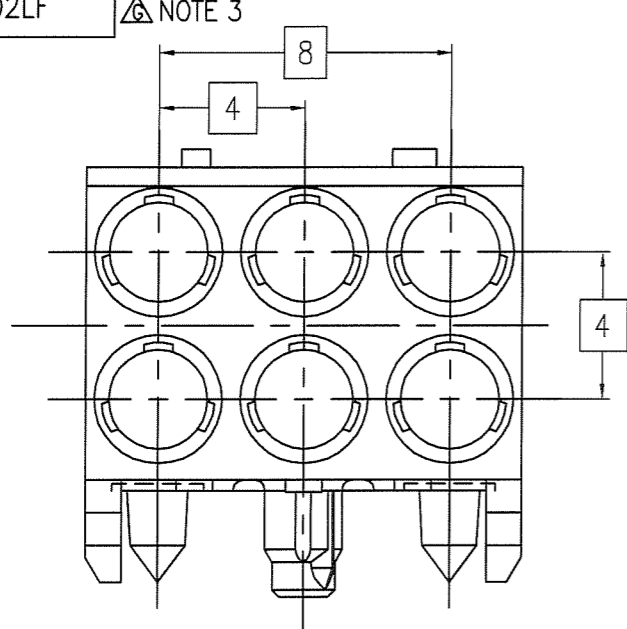
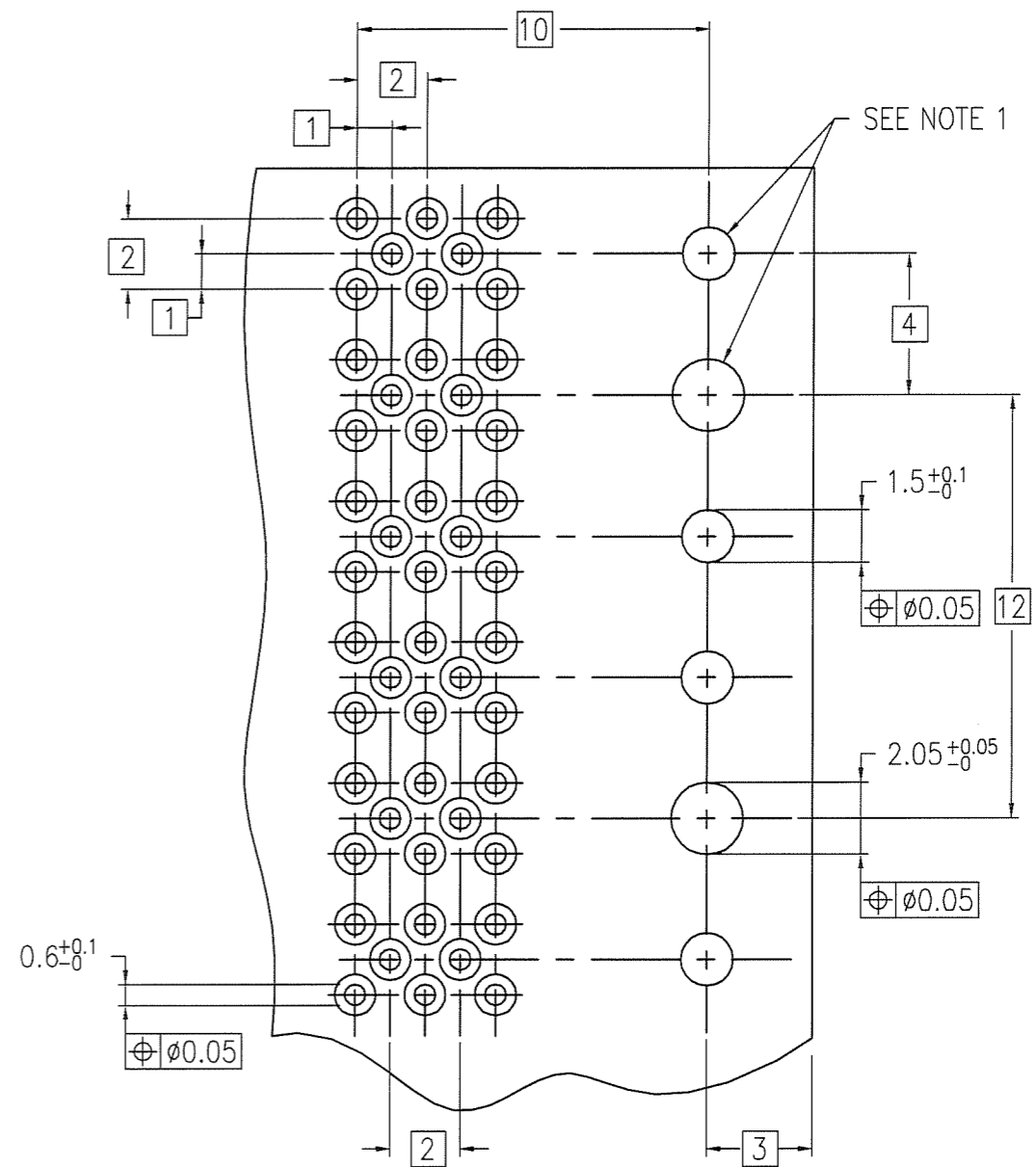


PRODUCT NO.
~~85939-102~~ Obsolete
 85939-102LF NOTE 3



PRODUCT AFTER PC BOARD APPLICATION



RECOMMENDED HOLE PATTERN, COMPONENT SIDE.

NOTE :

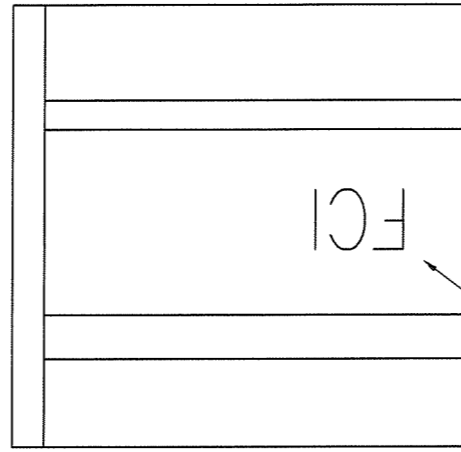
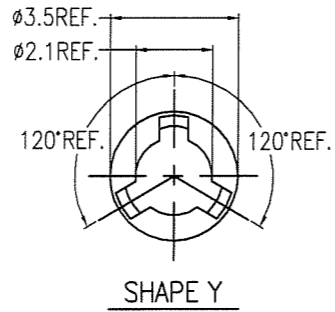
1. INDICATED HOLES ARE UNPLATED.
2. MATERIAL :
 LIQUID CRYSTAL POLYMER 30% GLASS
 UL 94V-0 , COLOR NATURAL
3. PARTS NUMBERS SUFFIX "LF" MEANS FOR LEAD FREE IDENTIFICATION.
 AND MEETS EUROPEAN UNION DIRECTIVES AND OTHER COUNTRY REGULATIONS
 AS DESCRIBED IN GS-22-008.
 THIS PRODUCT IS EQUIVALENT TO PREVIOUS NON-LF PRODUCT.

mat'l. code ---					surface ISO 1302 ✓	tolerance ISO 406 ISO 1101	projection MM	product family 5H2F METRAL ACCESSORIES	CODE JP
					tolerances unless otherwise specified			title R/A FEMALE MINI COAX PRESS PEG	
ltr	description	ecn no	dr	date	angles	linear	0.X ±0.15	dwg no	
A	RELEASED	J70165	M.N	6/23/97			0.OX ±0.15	sheet 1 of 2 size	
B	REVISED	J80420	Y.K	10/15/98			0.XXX ±0.15	85939	
C	REVISED	J80425	Y.K	10/21/98	0°±2°		scale 5:1	A3	
D	REVISED	J90322	Y.K	1/17/00	dr	S. W. W. 2011-4-12	FCI	type	
E	REVISED	J10491	Y.K	9/18/01	enr	S. W. W. 2011-4-12		Customer Drawing	
F	REVISED	J07-0030	S.O	1/18/07	chr	S. W. W. 2011-4-12			
G	REVISED	J11-0080	S.W	2011-4-12	appd	M. W. W. April 2011			
sheet index		revision sheet	G E	1 2					

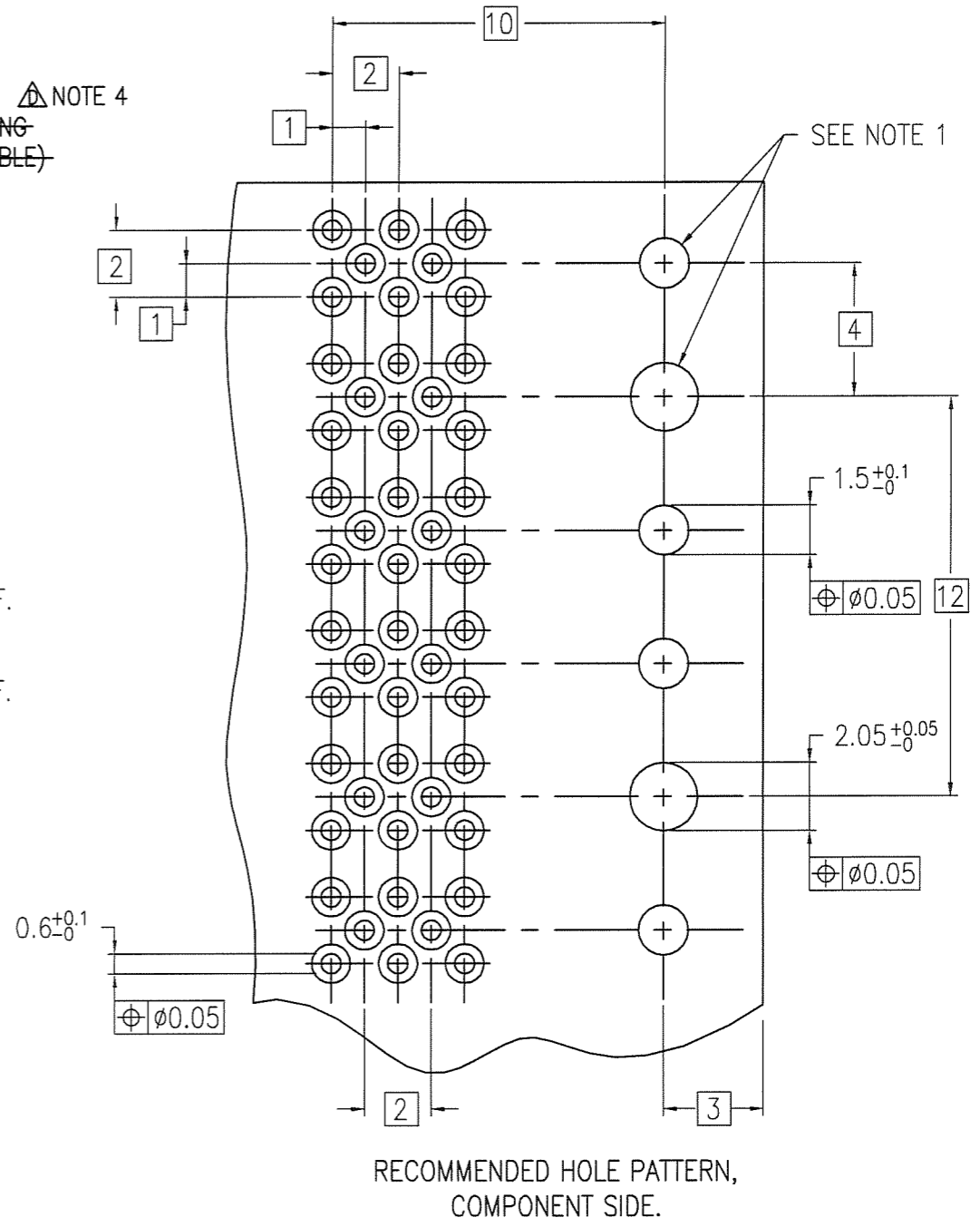
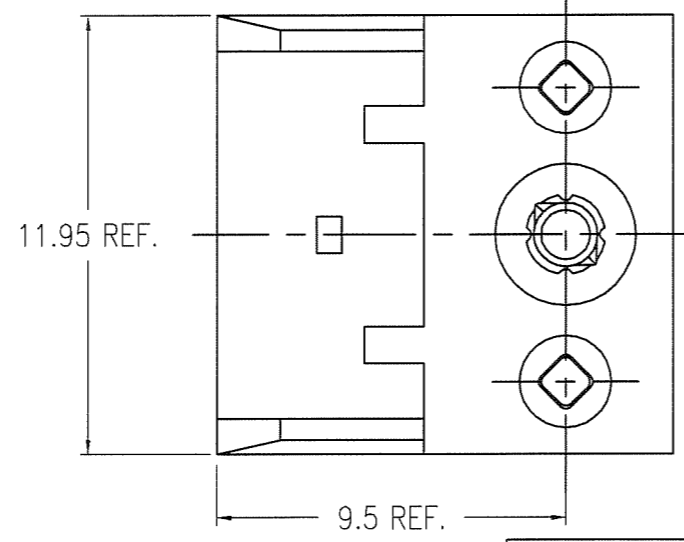
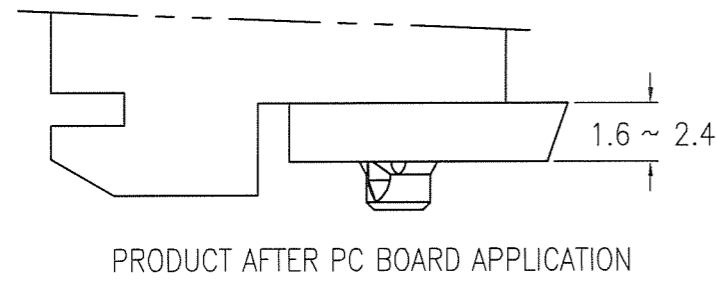
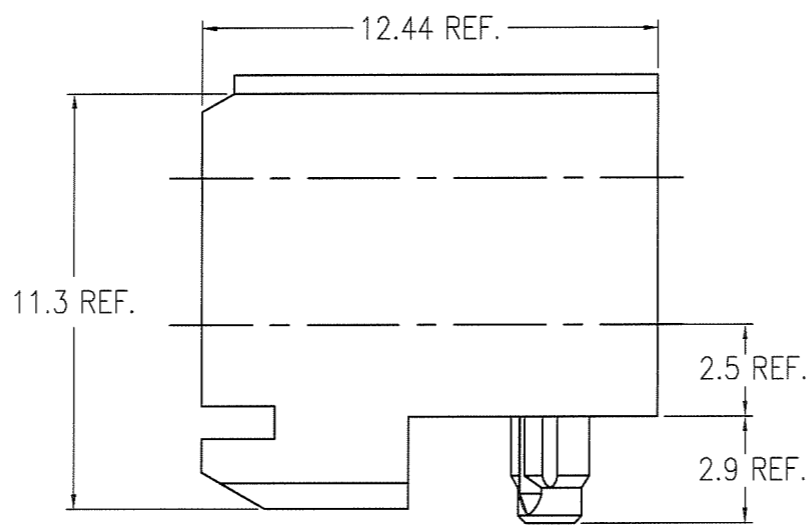
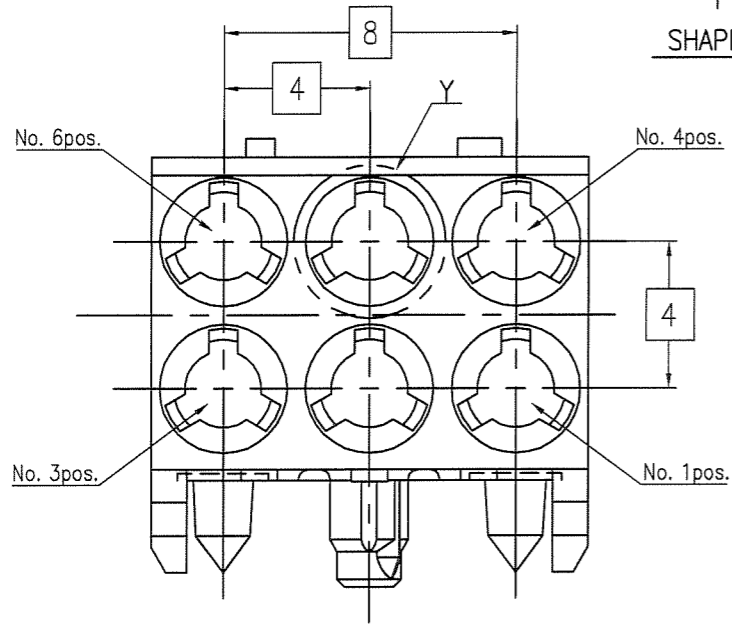
PRODUCT NO.	FCI MARKING
85939-122	WITHOUT
85939-1221	WITH
85939-122LF	NOTE 3

Obsolete

Obsolete



NOTE 4
MARKING (SEE TABLE)



- NOTE :
- INDICATED HOLES ARE UNPLATED.
 - MATERIAL :
LIQUID CRYSTAL POLYMER 30% GLASS
UL 94V-0 , COLOR NATURAL
 - PARTS NUMBERS SUFFIX "LF" MEANS FOR LEAD FREE IDENTIFICATION. AND MEETS EUROPEAN UNION DIRECTIVES AND OTHER COUNTRY REGULATIONS AS DESCRIBED IN GS-22-008.
THIS PRODUCT IS EQUIVALENT TO PREVIOUS NON-LF PRODUCT.
 - FCI MARKING PRODUCT IS NOT AVAILABLE.

mat'l. code				surface ISO 1302		tolerance ISO 406 ISO 1101		projection		product family		CODE
---										5H2F METRAL ACCESSORIES		JP
ltr	description	ecn no	dr	date	tolerances unless otherwise specified			title		R/A FEMALE MINI COAX PRESS PEG		
A	RELEASED	J80425	Y.K	10/21/98	angles	0.X	±0.15	MM		85939		
B	REVISED	J90322	Y.K	1/17/00	linear	0.XX	±0.15					
C	REVISED	J10491	Y.K	9/18/01	0°±3'	0.XXX	±0.15	scale 5:1		sheet 2 of		
D	REVISED	J07-0030	S.O	1/18/07	dr	2011-4-12				size		
E	REVISED	J11-0080	S.W	2011-4-12	enr	2011-4-12				A3		
					chr	2011-4-12				type		
sheet index		revision sheet								Customer Drawing		Rev. E



Copyright FCI.