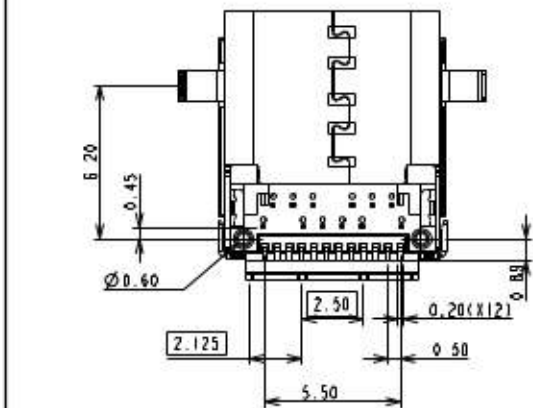
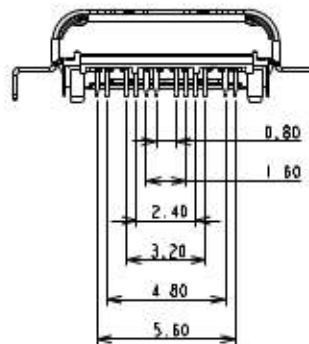
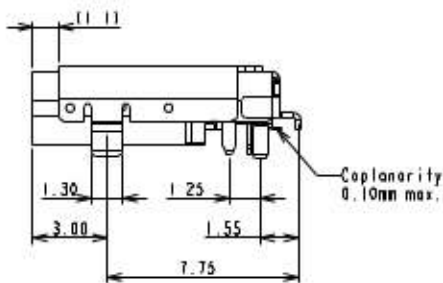
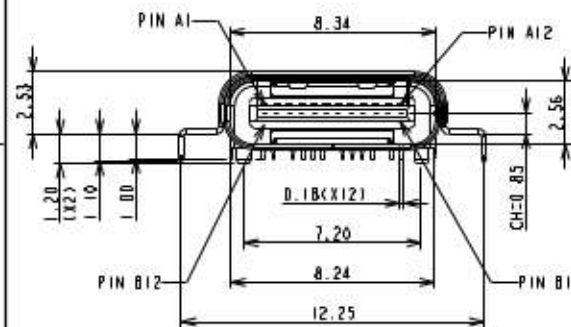
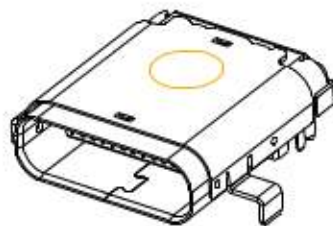
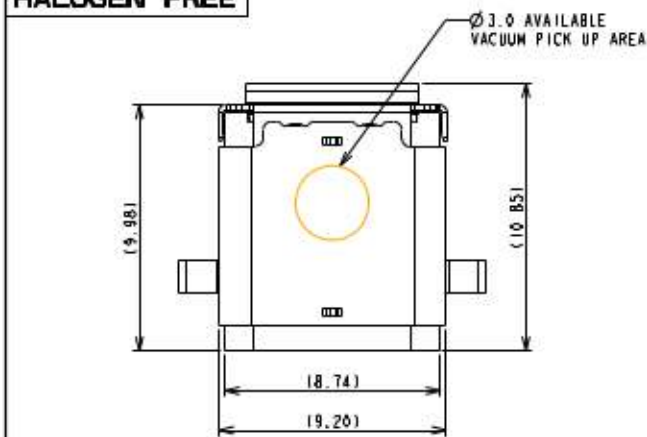


HALOGEN FREE



CONN ADD LASER WELDING POSITION

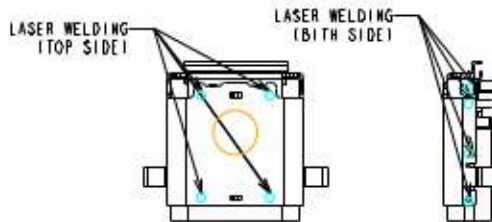


TABLE B:

PIN NO.	A1	A2	A3	A4	A5	A6	A7	A8	A9	A10	A11	A12
SIGNAL NAME	GND	SSTXp1	SSTXn1	VBUS	CC1	Dpl	Dn1	SBU1	VBUS	SSRXn2	SSRXp2	GND
PIN NO.	B12	B11	B10	B9	B8	B7	B6	B5	B4	B3	B2	B1
SIGNAL NAME	GND	SSRXp1	SSRXn1	VBUS	SBU2	Dn1	Dpl	CC2	VBUS	SSTXn2	SSTXp2	GND

REV	ECR	DESCRIPTION	DATE	DRAWN	CHECKED	APPROVED
X1	SZECR14237	NEW RELEASE PER 4PRI40T9	09/19/15	RUI.SU	AIR CHEN	

TABLE A: PRODUCT NUMBERING CODE  
PRODUCT NUMBERING CODE

C-BR20 - A K X X X

① ② ③ ④ ⑤ ⑥

1. CONNECTOR TYPE  
BR20 : USB TYPE-C FULL FEATURE CONN.  
RECEPTACLE - MID MOUNT TYPE

2. NO. OF POSITION:  
A: 24 POSITIONS

3. COLOR OF INSULATOR:  
K: BLACK

4. PLATING OF CONTACT:  
1: GOLD FLASH ON CONTACT AREA.  
5: Au 30u" PLATING ON CONTACT AREA.

5. PLATING OF FRONT SHELL  
1: SOLDERING NICKEL

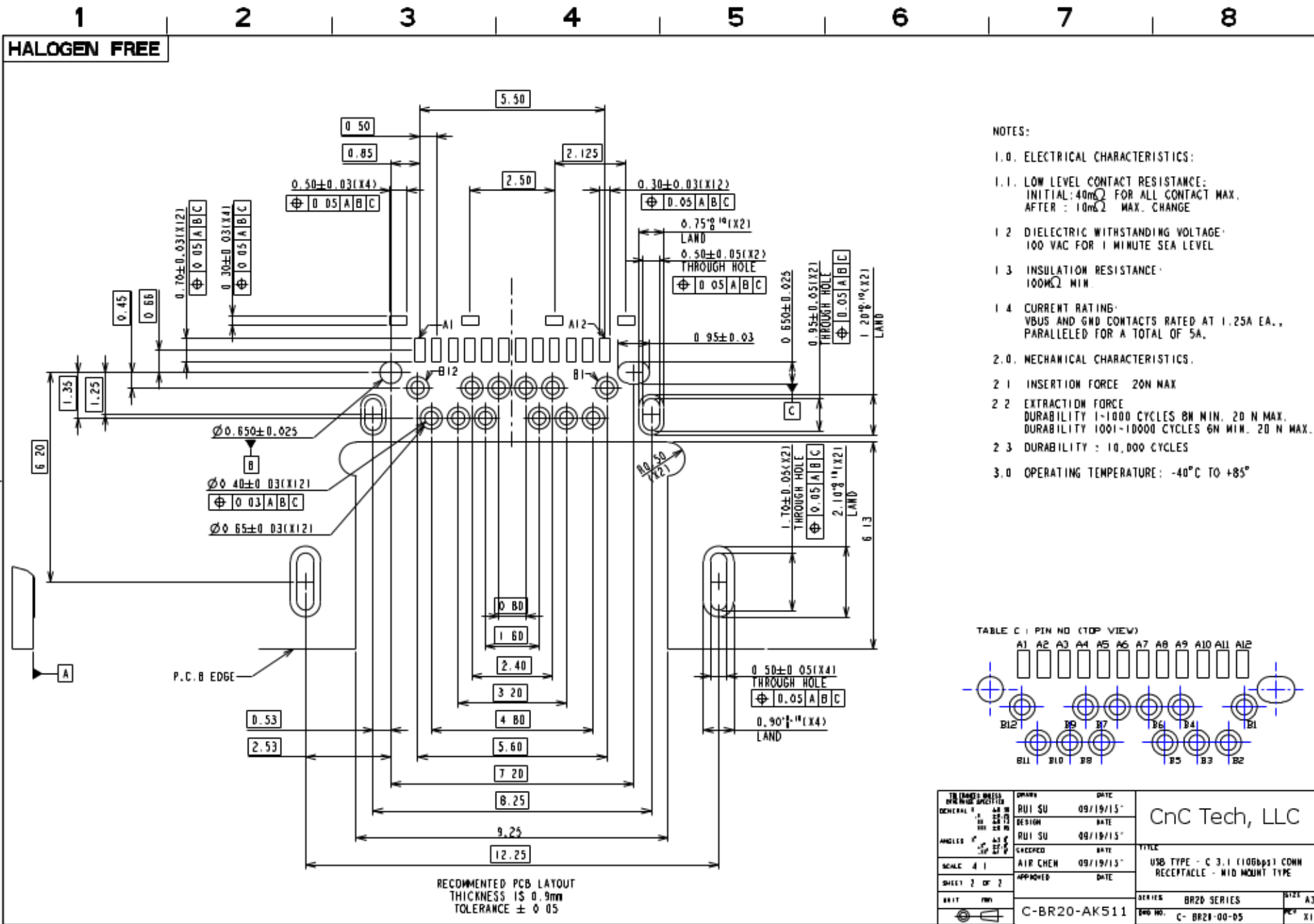
6. OTHER  
1: SHELL HOLD DOWN 1.1mm

(DESIGNED TO MEET USB TYPE C SPECIFICATION)

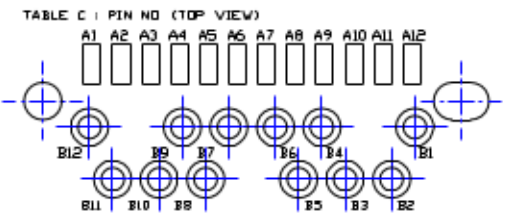
6	OUTER SHELL	1	S-BR20-20000	METAL / NI PLATED
5	SHELL	1	S-BR20-10000	METAL / NI PLATED
4	ENI RING	2	H-BR25-00000	METAL / NI PLATED
3	GROUND PLATE	1	H-BR20-00000	METAL / NI PLATED
2	CONTACT	24	T-BR20-X0000	COPPER ALLOY / Au PLATED
1	HALF PRODUCT	2	BR20-3KX022	HI-TEMP G.F UL94V-0

ITEM	NAME	D'TY	PART #	MATERIAL / FINISH
				CnC Tech, LLC
TOLERANCES UNLESS OTHERWISE SPECIFIED				
DRAWN RUI.SU DATE 09/19/15				
DESIGN RUI.SU DATE 09/19/15				TITLE USB TYPE - C 3.1 (148bps) CONN RECEPTACLE - MID MOUNT TYPE
CHECKED AIR CHEN DATE 09/19/15				
SCALE 7:1 APPROVED				REVISED BR20 SERIES REV NO. C-BR20-00-05
SHEET 1 OF 2				
PART 1/01				SIZE A3
C-BR20-AK511				REV X1



- NOTES:
- 1.0. ELECTRICAL CHARACTERISTICS:
    - 1.1. LOW LEVEL CONTACT RESISTANCE: INITIAL: 40mΩ FOR ALL CONTACT MAX. AFTER : 10mΩ MAX. CHANGE
    - 1.2. DIELECTRIC WITHSTANDING VOLTAGE: 100 VAC FOR 1 MINUTE SEA LEVEL
    - 1.3. INSULATION RESISTANCE: 100MΩ MIN
    - 1.4. CURRENT RATING: VBUS AND GND CONTACTS RATED AT 1.25A EA., PARALLELED FOR A TOTAL OF 5A.
  - 2.0. MECHANICAL CHARACTERISTICS:
    - 2.1. INSERTION FORCE: 20N MAX
    - 2.2. EXTRACTION FORCE: DURABILITY 1-1000 CYCLES 8N MIN. 20 N MAX. DURABILITY 1001-10000 CYCLES 6N MIN. 20 N MAX.
    - 2.3. DURABILITY: 10,000 CYCLES
  - 3.0. OPERATING TEMPERATURE: -40°C TO +85°



DESIGNED BY RUI SU	DATE 09/19/15	CnC Tech, LLC
CHECKED BY RUI SU	DATE 09/19/15	
SCALE 4:1	APPROVED BY AIR CHEN	TITLE USB TYPE - C 3.1 (10Gbps) CONN RECEPTACLE - MID MOUNT TYPE
SHEET 2 OF 2	DATE 09/19/15	SERIES BR20 SERIES
DRW C-BR20-AK511	DATE 09/19/15	REV C-BR20-00-05