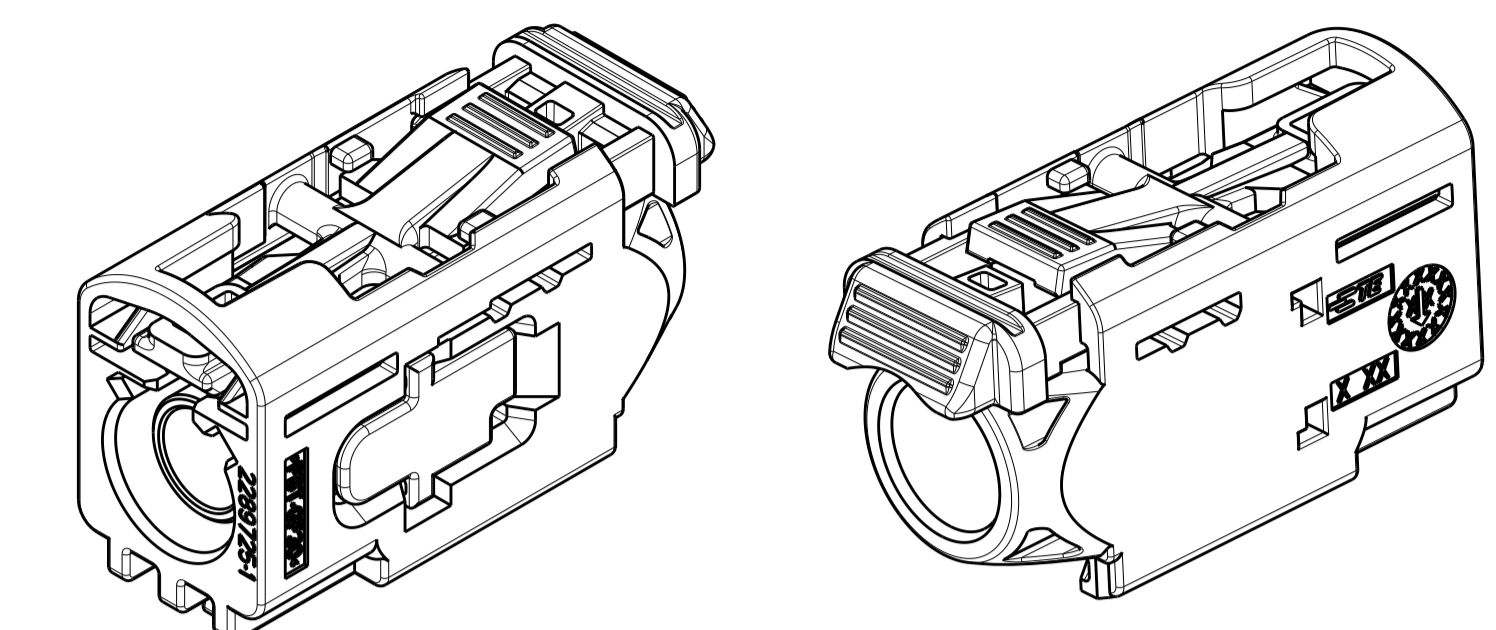
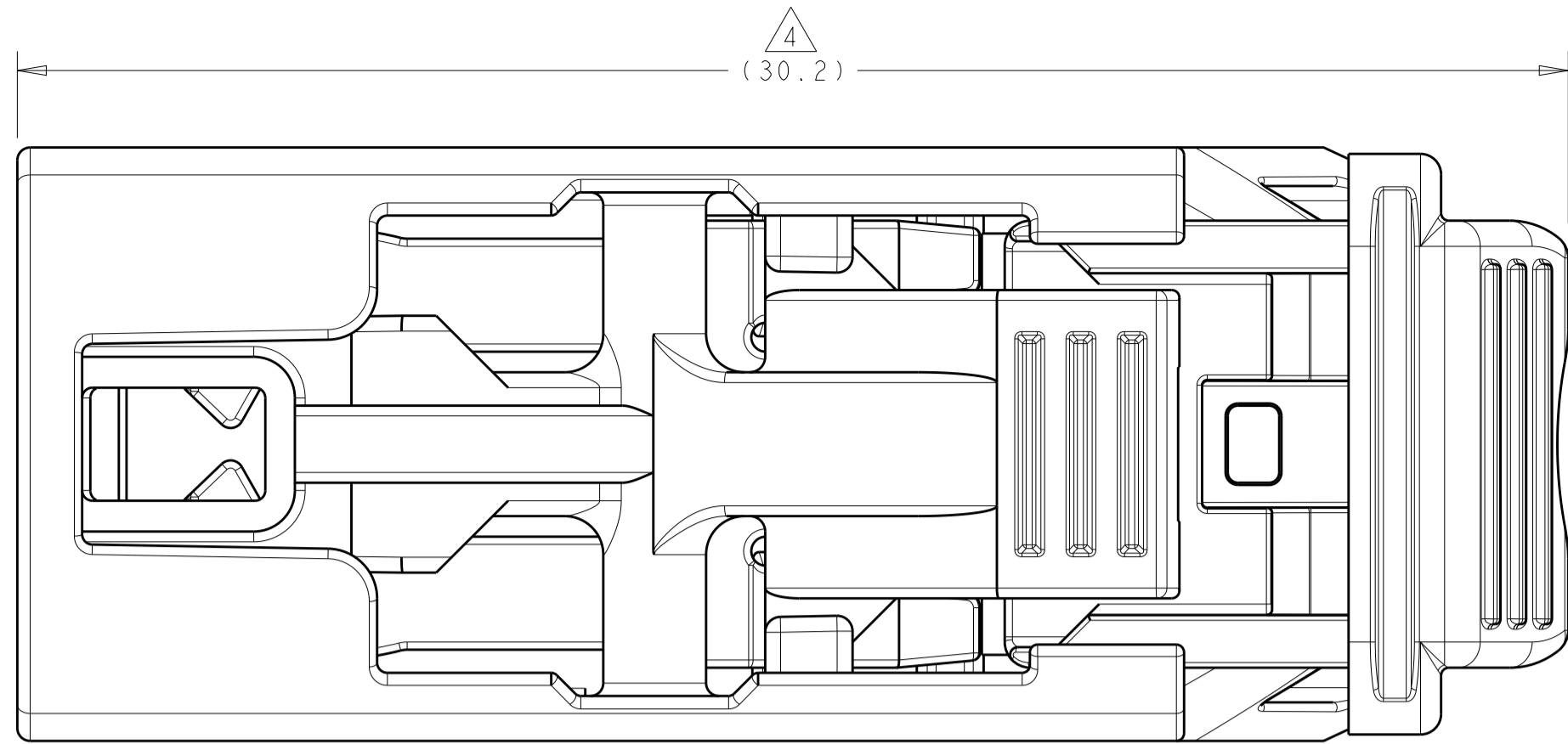
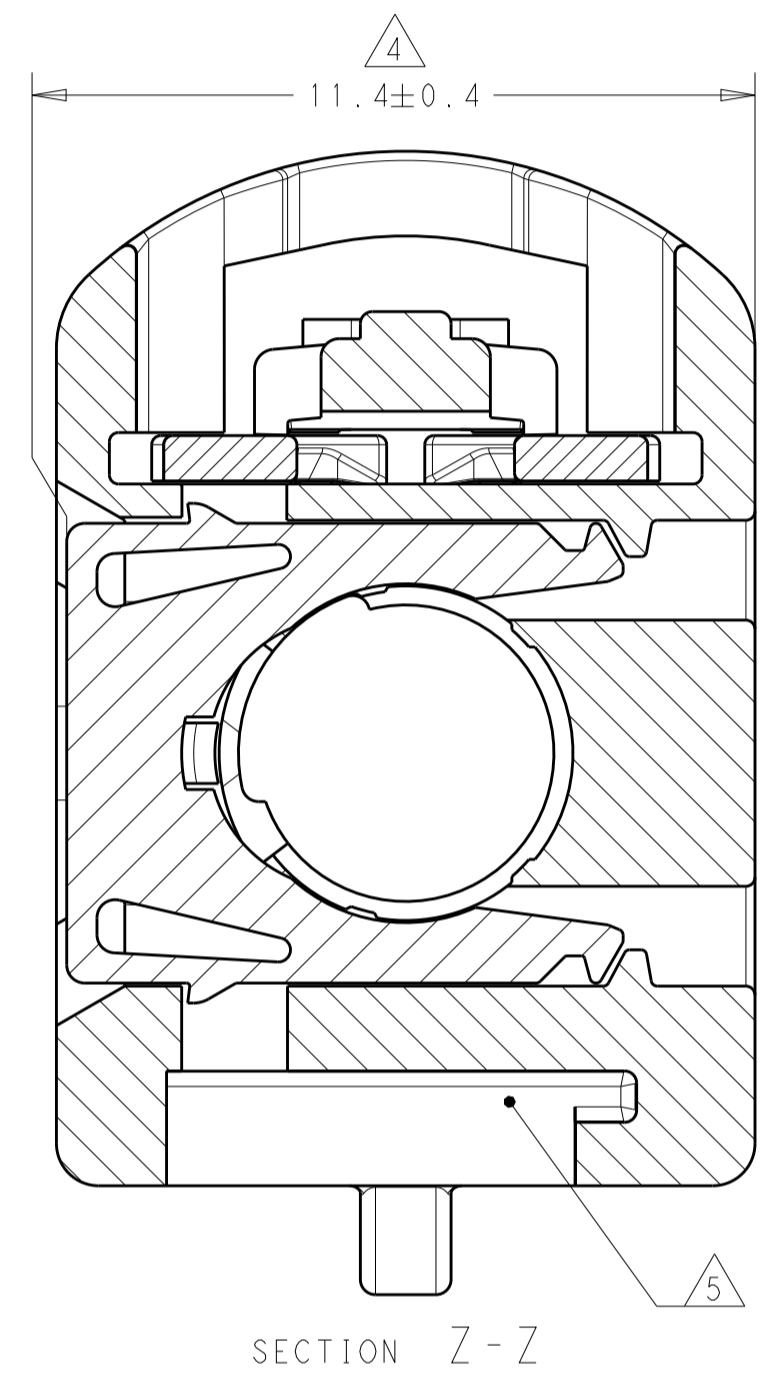
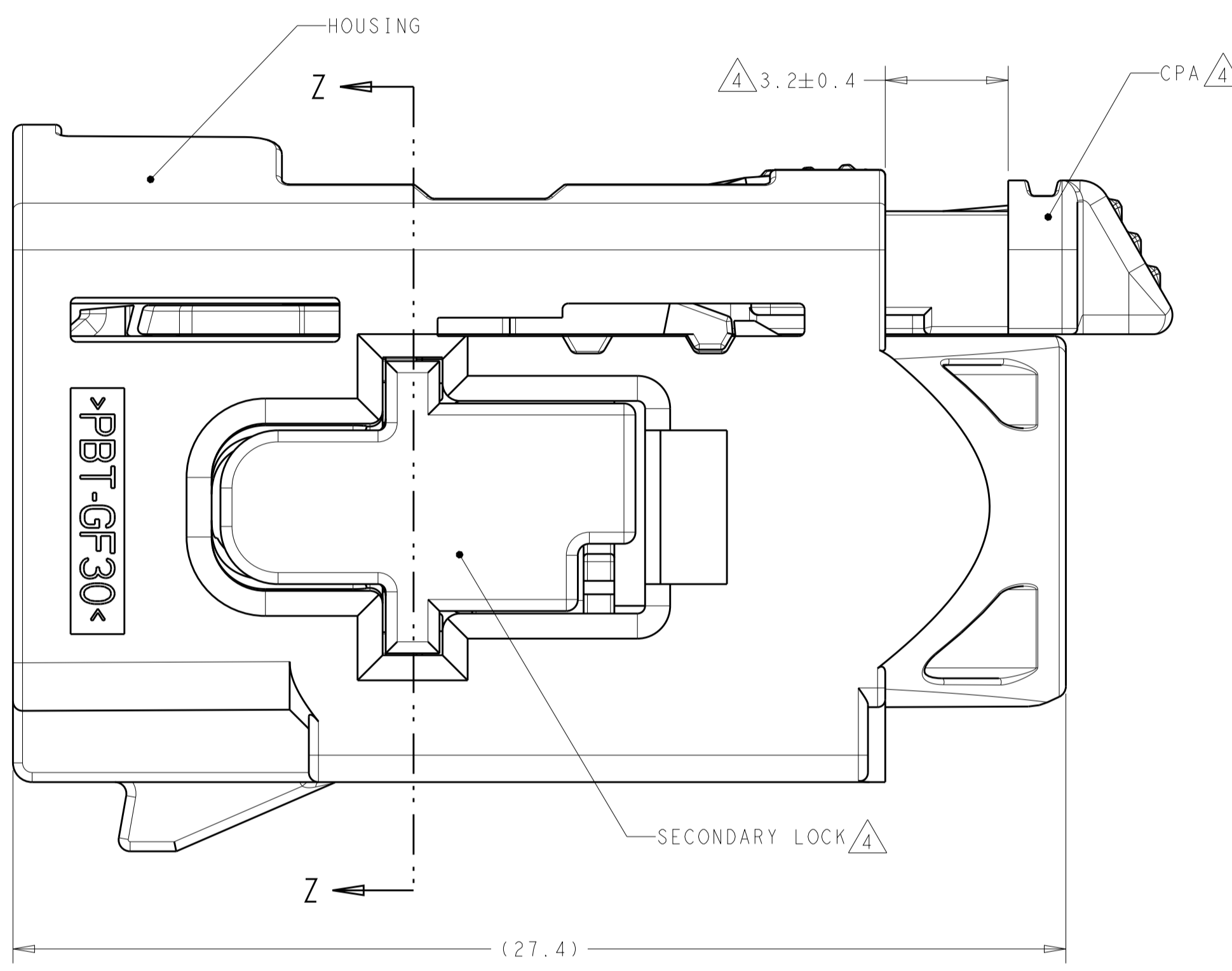
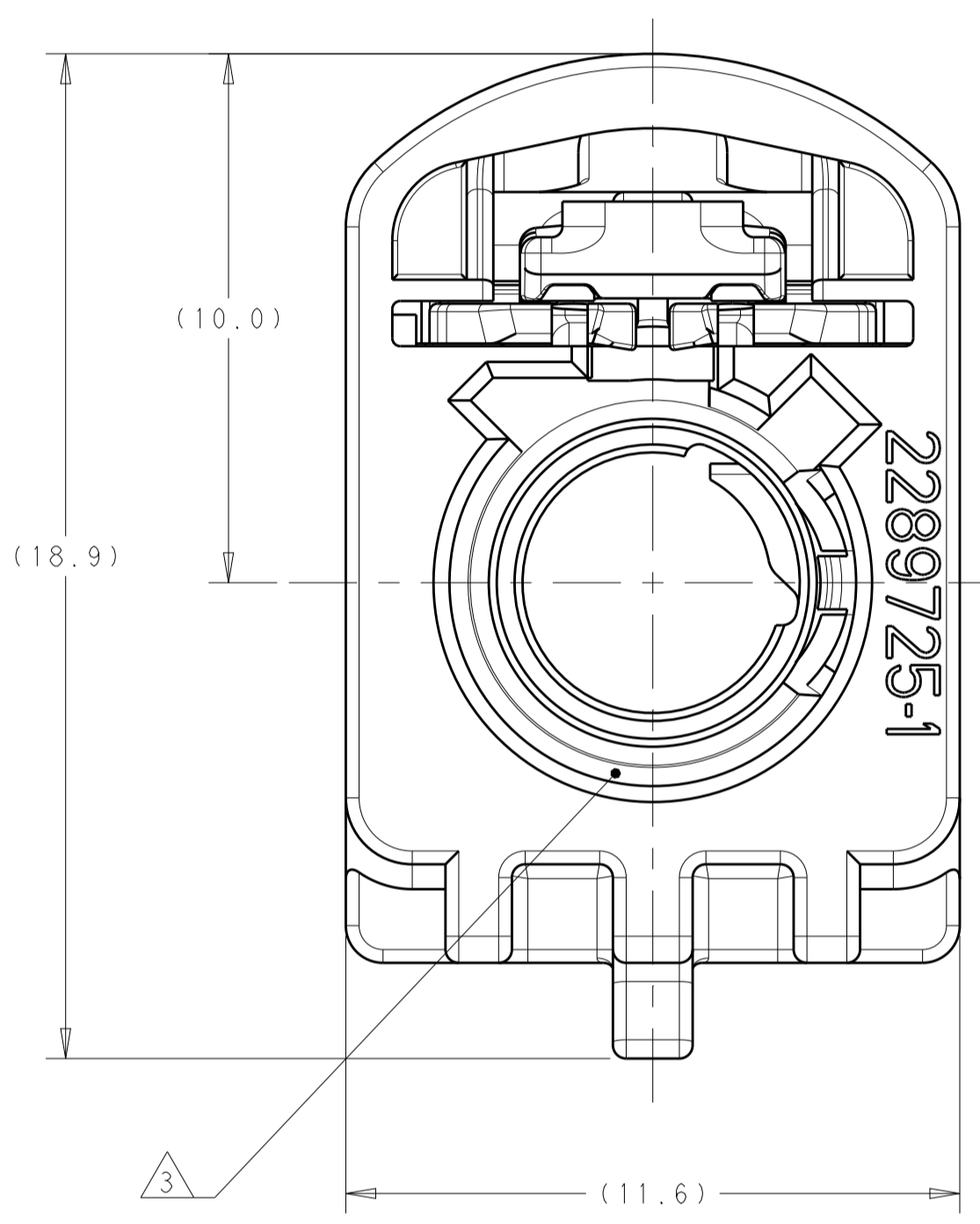


REVISIONS				
P.	LTN	DESCRIPTION	DATE	OWN APVD
A		RELEASED PER ECO-19-002122	11FEB2019	NLE JWH



ISOMETRIC VIEWS  
SCALE 3:1



2289730-1 AS SHOWN

- ① HOUSING - POLYESTER PBT, COLOR: SEE TABLE, GLASS FILLED  
 CPA - POLYESTER PBT, TRAFFIC RED, GLASS FILLED  
 SECONDARY LOCK - POLYESTER PBT, WATER BLUE, GLASS FILLED
- ② CABLE ASSEMBLY: SEE TABLE.
- ③ FEMALE INTERFACE PER ISO-20860-1, ISO-20860-2, SAE/USCAR-17, SAE/USCAR-18.
- ④ SECONDARY LOCK AND CPA IN PRESET POSITION. IF SECONDARY LOCK IS IN FULLY LOCKED POSITION, SEE 408-162008 FOR INSTRUCTIONS TO RESET SECONDARY LOCK TO PRESET POSITION.
- ⑤ CLIP SLOT PER SAE/USCAR-18, EWCAP-005-7.

CPA	CABLE ASSEMBLY QTY=1	CODING REF	KEYING	CODING COLOR	PART NUMBER
WITHOUT CPA	2203275 (SOLD SEPARATELY) SEE SHEET 2	Z	PER DETAIL Z	WATER BLUE	4-2289730-0
		N	PER DETAIL N	PASTEL GREEN	3-2289730-3
		M	PER DETAIL M	PASTEL ORANGE	3-2289730-2
		L	PER DETAIL L	CARMINE RED	3-2289730-1
		K	PER DETAIL K	CURRY	3-2289730-0
		I	PER DETAIL I	BEIGE	2-2289730-9
		H	PER DETAIL H	HEATHER VIOLET	2-2289730-8
		G	PER DETAIL G	BLUE GREY	2-2289730-7
		F	PER DETAIL F	NUT BROWN	2-2289730-6
		E	PER DETAIL E	LEAF GREEN	2-2289730-5
		D	PER DETAIL D	CLARET VIOLET	2-2289730-4
		C	PER DETAIL C	SIGNAL BLUE	2-2289730-3
		B	PER DETAIL B	CREAM	2-2289730-2
		A	PER DETAIL A	JET BLACK	2-2289730-1
WITH CPA	2203275 (SOLD SEPARATELY) SEE SHEET 2	Z	PER DETAIL Z	WATER BLUE	2-2289730-0
		N	PER DETAIL N	PASTEL GREEN	1-2289730-3
		M	PER DETAIL M	PASTEL ORANGE	1-2289730-2
		L	PER DETAIL L	CARMINE RED	1-2289730-1
		K	PER DETAIL K	CURRY	1-2289730-0
		I	PER DETAIL I	BEIGE	2289730-9
		H	PER DETAIL H	HEATHER VIOLET	2289730-8
		G	PER DETAIL G	BLUE GREY	2289730-7
		F	PER DETAIL F	NUT BROWN	2289730-6
		E	PER DETAIL E	LEAF GREEN	2289730-5
		D	PER DETAIL D	CLARET VIOLET	2289730-4
		C	PER DETAIL C	SIGNAL BLUE	2289730-3
		B	PER DETAIL B	CREAM	2289730-2
		A	PER DETAIL A	JET BLACK	2289730-1

THIS DRAWING IS A CONTROLLED DOCUMENT. OWN: D. J. HARDY 14APR2015  
 CHK: D. J. HARDY 14APR2015  
 APVD: D. J. HARDY 14APR2015

**TE** TE Connectivity

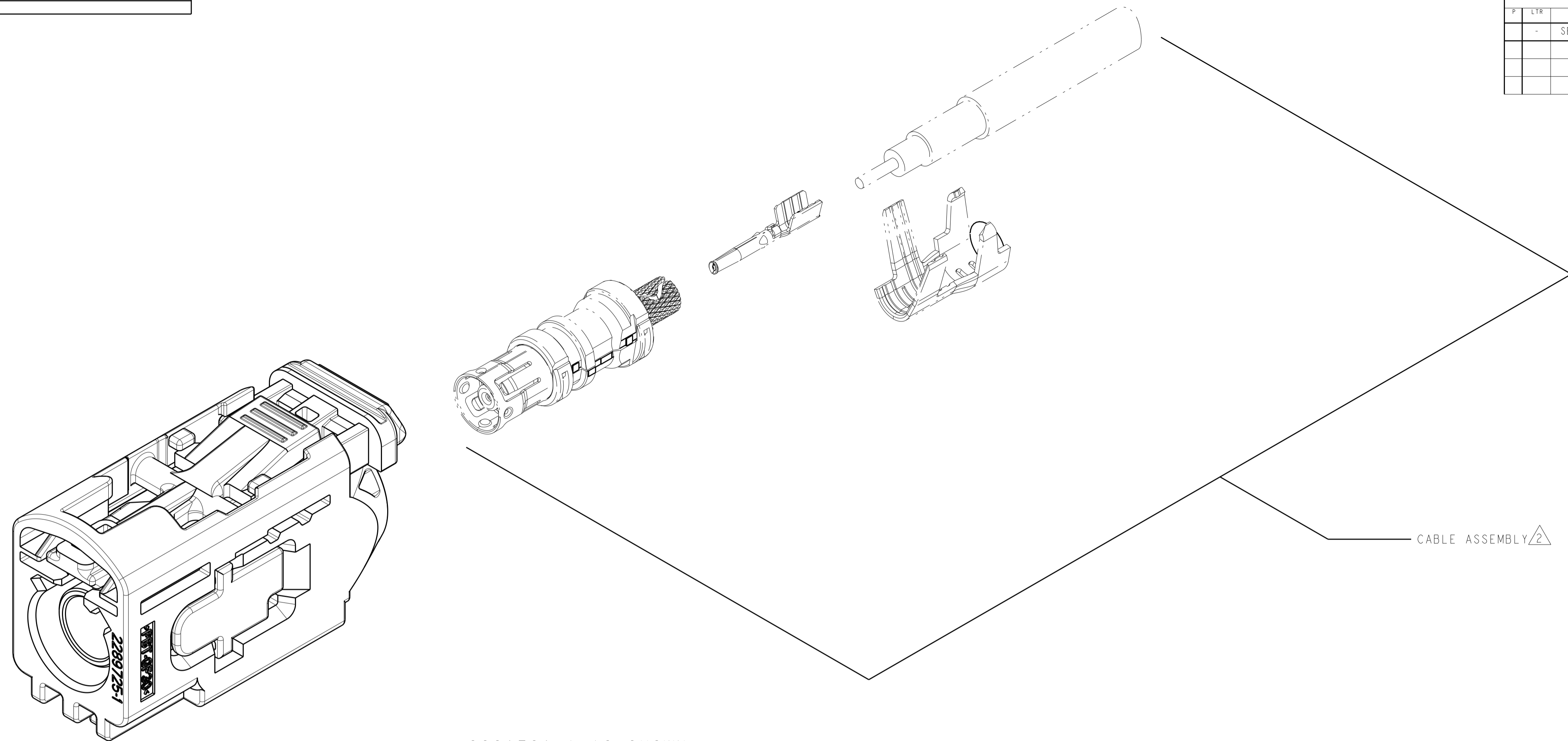
NAME: FEMALE KIT, CPA, CLIP SLOT, 1 POSITION, FAKRA AUTOMATED

PRODUCT SPEC: 108-32137  
 APPLICATION SPEC: 114-32145

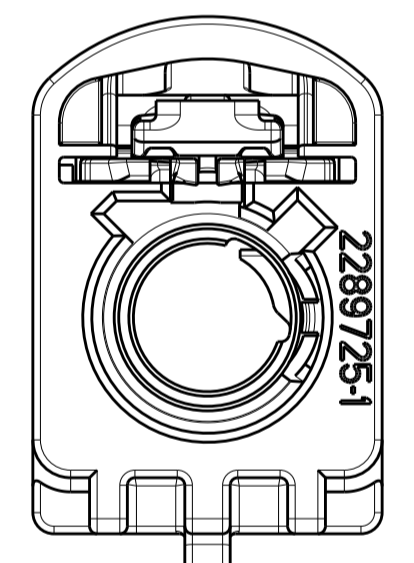
SIZE: A1 CAGE CODE: - DRAWING NO: C=2289730  
 WEIGHT: - RESTRICTED TO: -

RESTRICTED CUSTOMER SCALE: 8:1 SHEET 1 OF 2 REV A

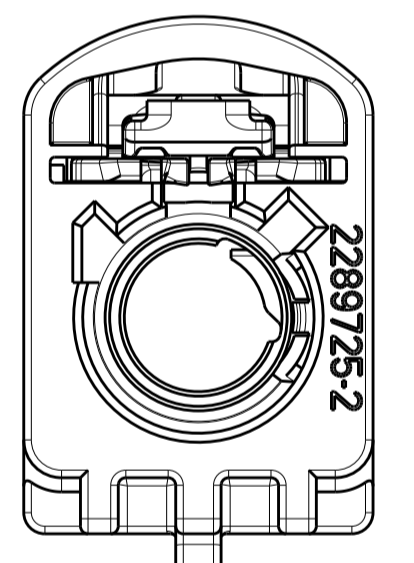
REVISIONS				
P.	LTN	DESCRIPTION	DATE	APVD
-	SEE SHEET 1			



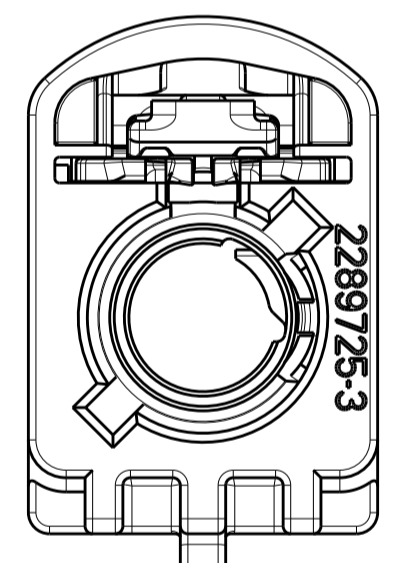
2289730-1 AS SHOWN  
 SCALE 5:1



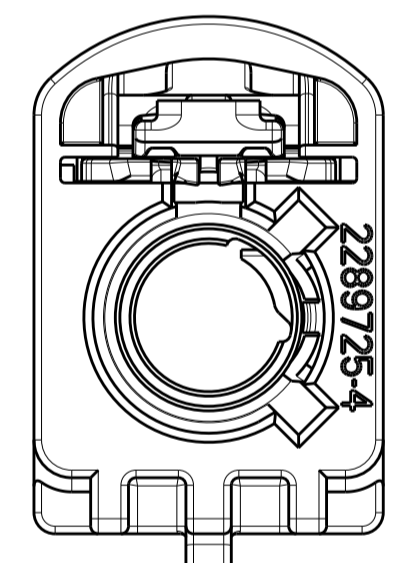
DETAIL A  
 SCALE 4:1



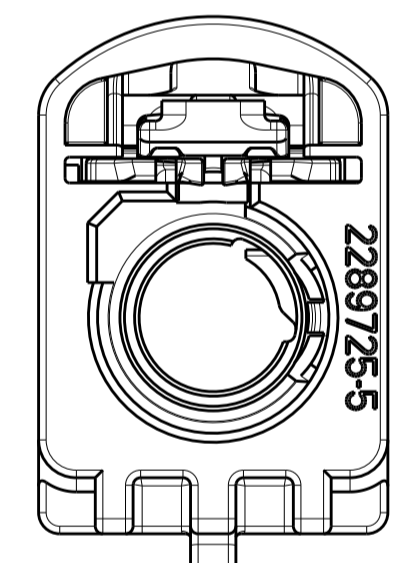
DETAIL B  
 SCALE 4:1



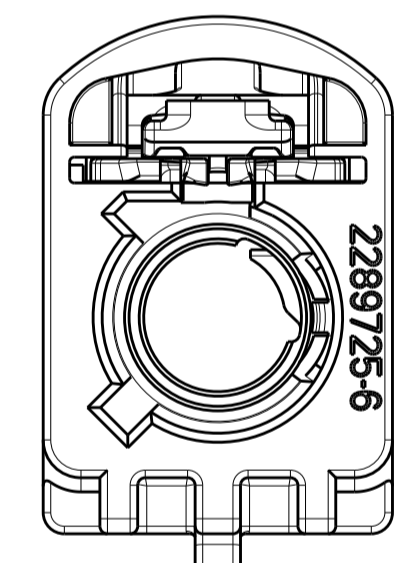
DETAIL C  
 SCALE 4:1



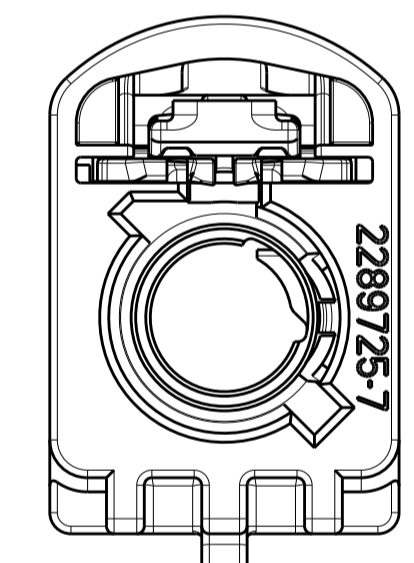
DETAIL D  
 SCALE 4:1



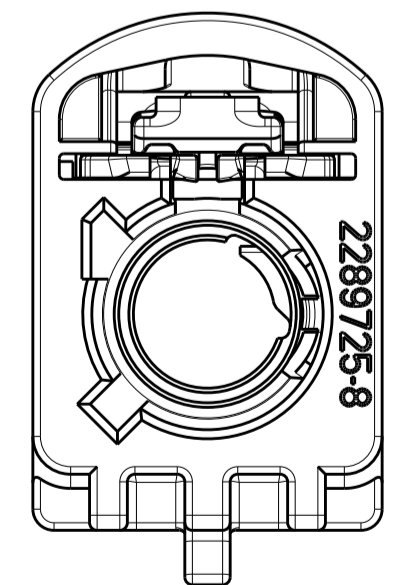
DETAIL E  
 SCALE 4:1



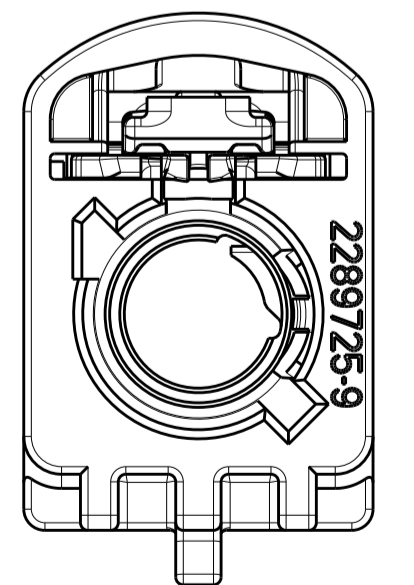
DETAIL F  
 SCALE 4:1



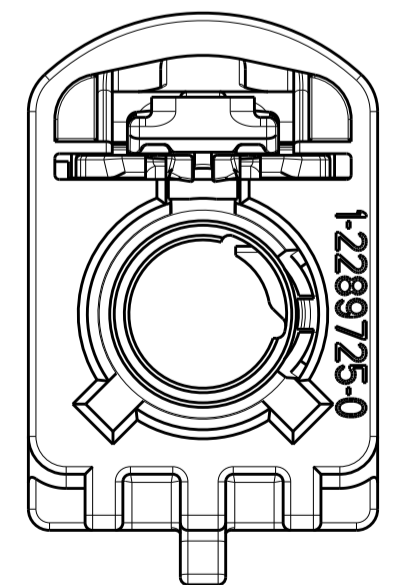
DETAIL G  
 SCALE 4:1



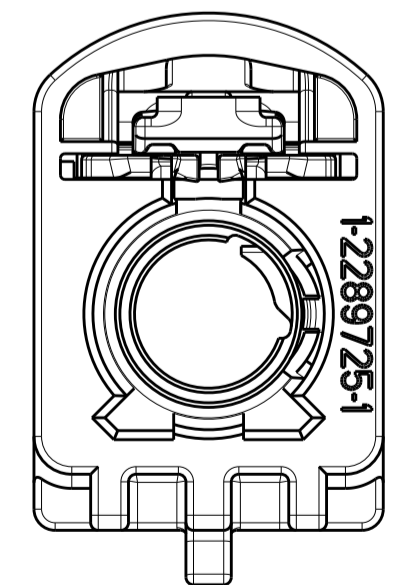
DETAIL H  
 SCALE 4:1



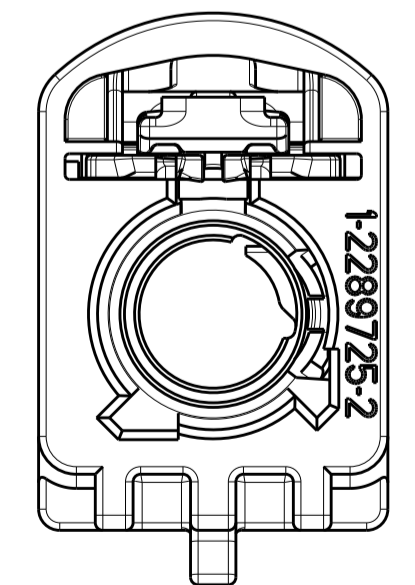
DETAIL I  
 SCALE 4:1



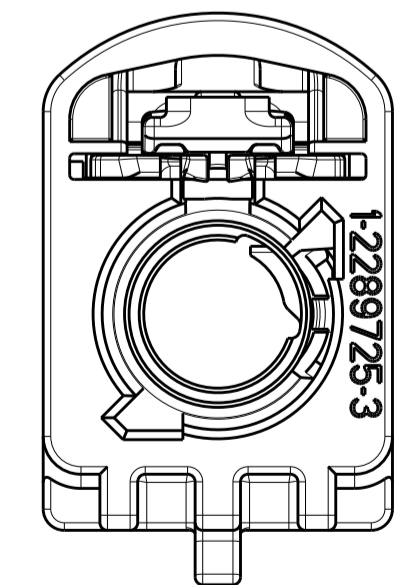
DETAIL K  
 SCALE 4:1



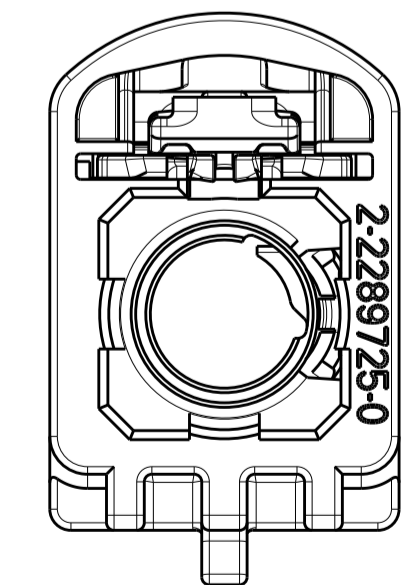
DETAIL L  
 SCALE 4:1



DETAIL M  
 SCALE 4:1



DETAIL N  
 SCALE 4:1



DETAIL Z  
 SCALE 4:1

THIS DRAWING IS A CONTROLLED DOCUMENT.		OWN: D. J. HARDY 14APR2015		NAME: FEMALE KIT, CPA, CLIP SLOT, 1 POSITION, FAKRA AUTOMATED PRODUCT SPEC: 108-32137 APPLICATION SPEC: 114-32145 WEIGHT: - RESTRICTED CUSTOMER
DIMENSIONS:		CHK: D. J. HARDY 14APR2015		
TOLERANCES UNLESS OTHERWISE SPECIFIED:		APVD: D. J. HARDY 14APR2015		
mm				
0 PLC	±		SIZE: A1	RESTRICTED TO:
1 PLC	±		CAGE CODE: -	SCALE: 5:1
2 PLC	±		DRAWING NO: C=2289730	SHEET 2 OF 2
3 PLC	±			REV: A
4 PLC	±			
ANGLES	±			
FINISH	±			