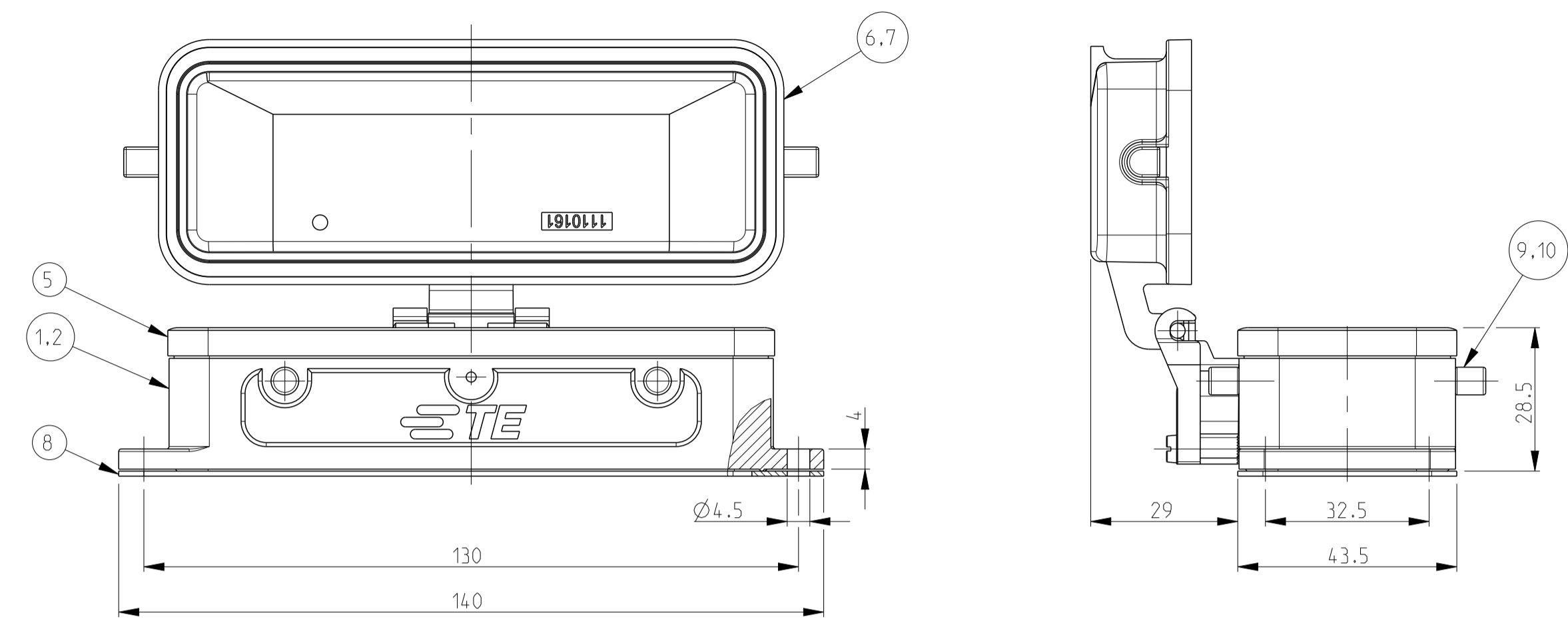
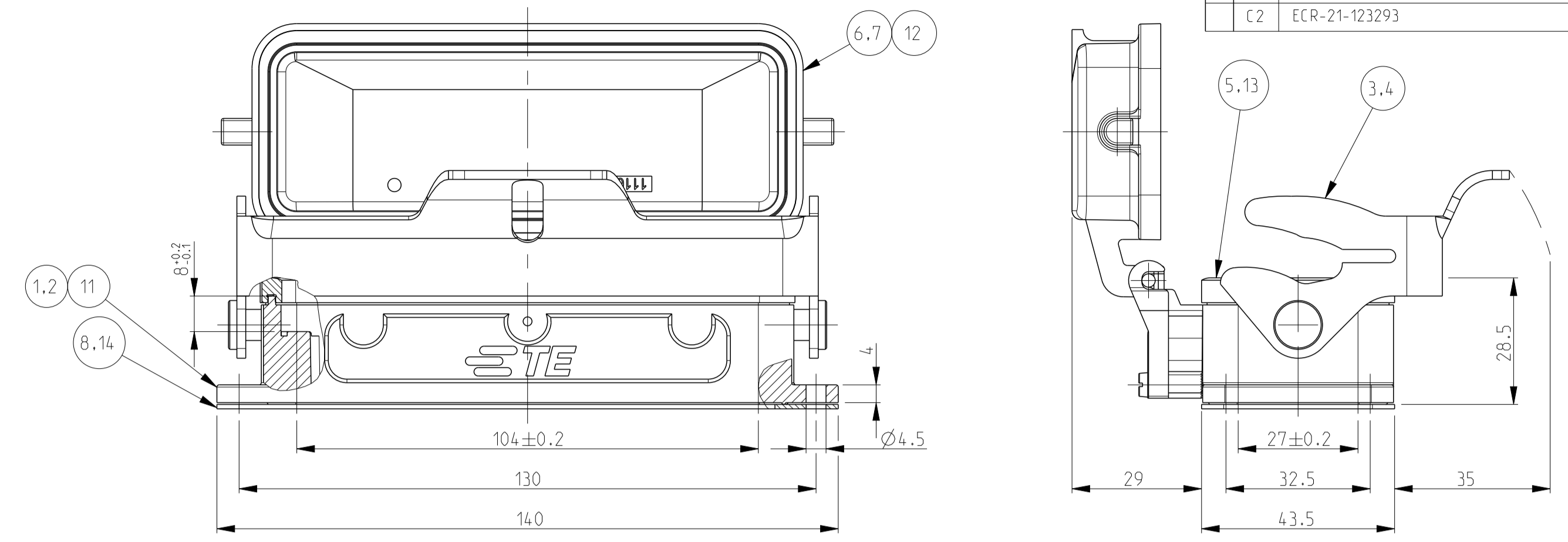


REVISIONS				
P	LTN	DESCRIPTION	DATE	OWN APVD
B6		RELEASED AS PER ECR-07-030418	17.12.07	SP TS
C		ECR-15-015721	18FEB2016	GCM JB
C1		REVISED PER ECR-17-013084	10JAN2018	SRG MKO
C2		ECR-21-123293	24FEB2022	RK JB

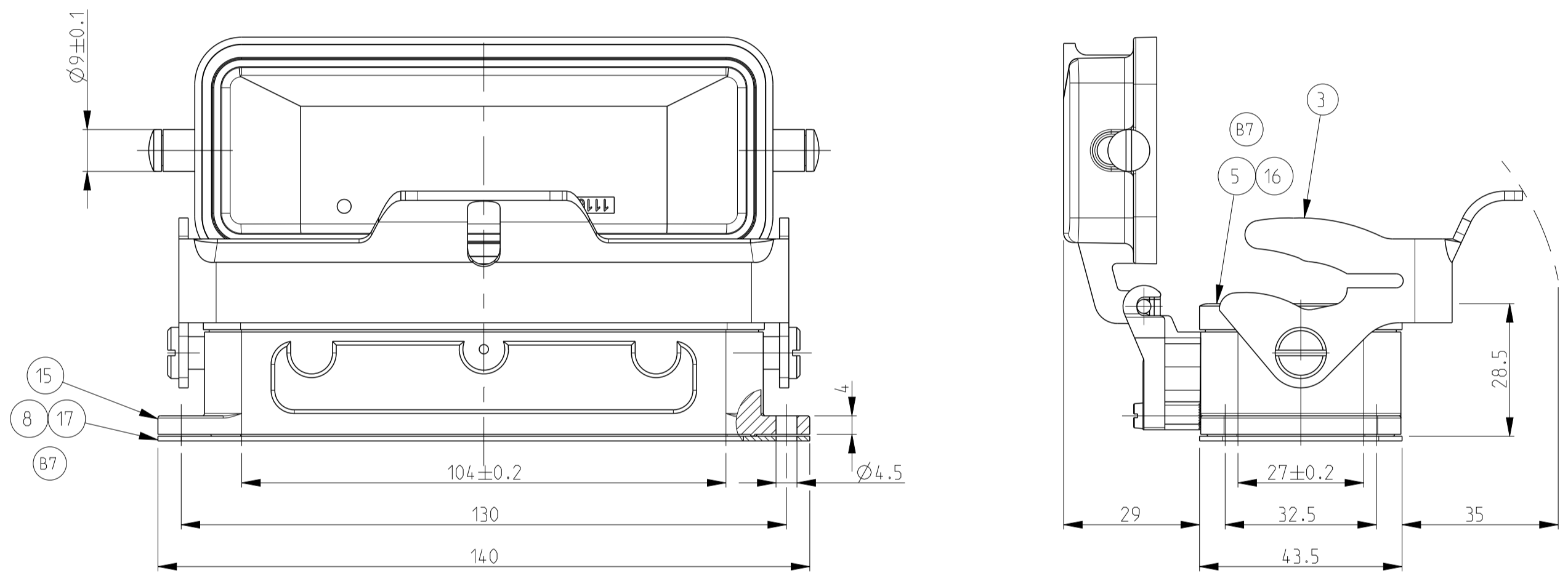
PN 1-6 & 2-6



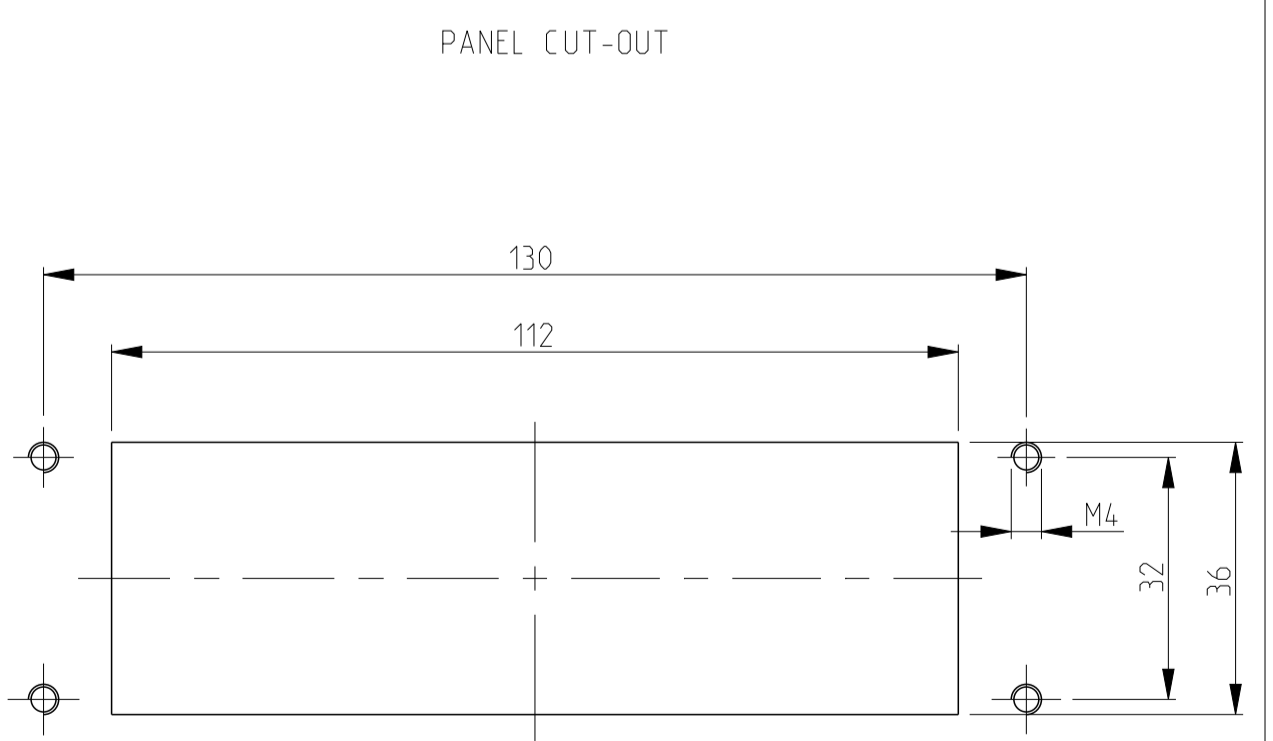
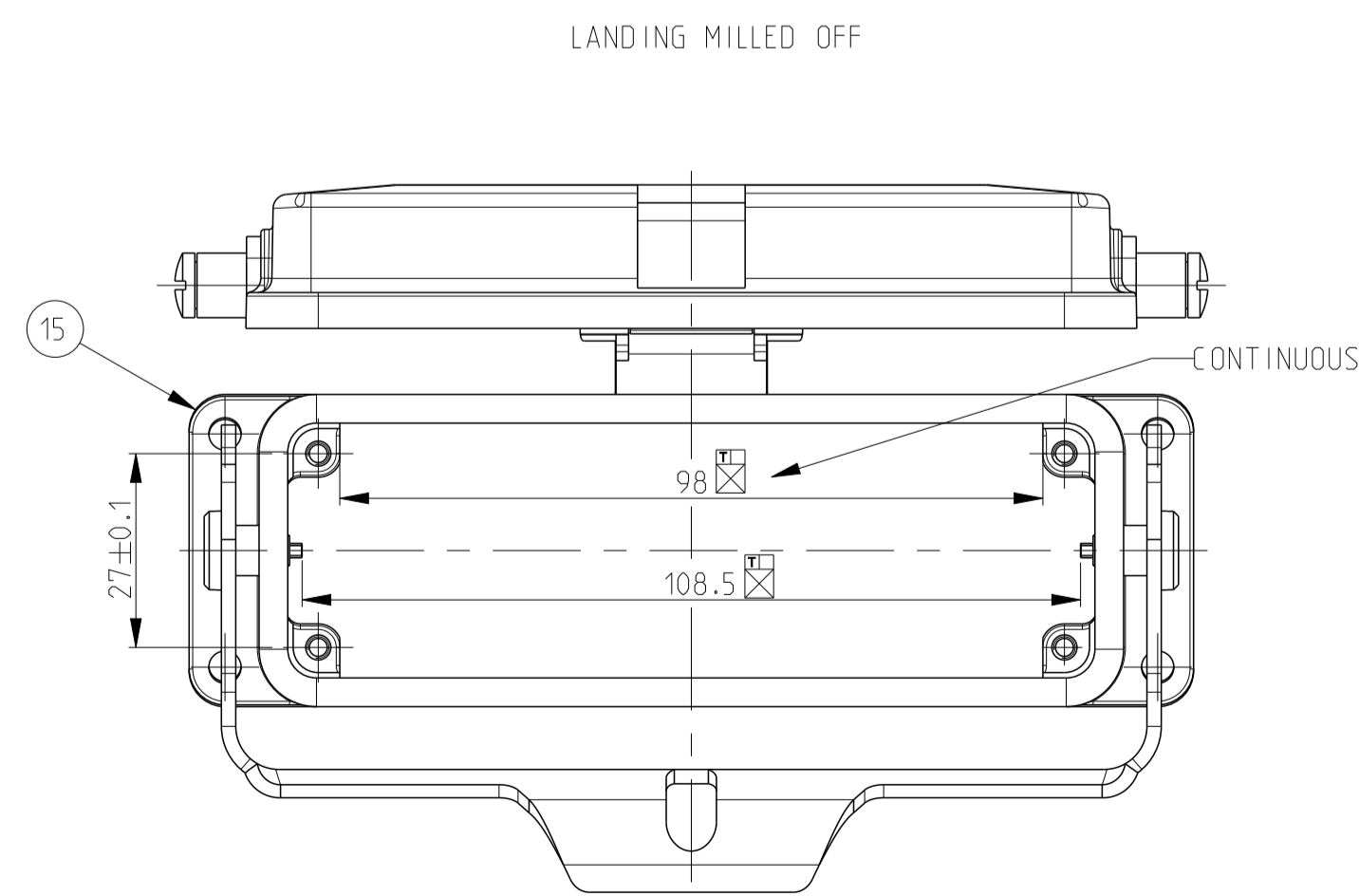
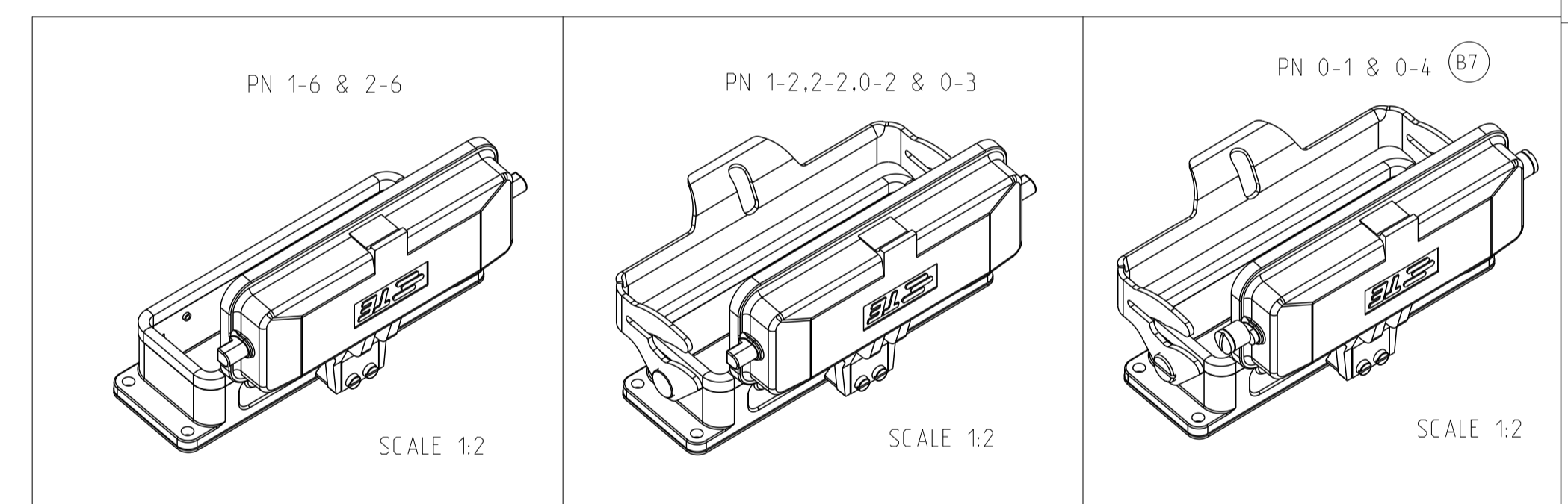
PN 1-2.2-2.0-2 & 0-3



PN 0-1 & 0-4 (B7)



- NOTES
- 1 MATERIAL: HOUSING-ALUMINIUM DIECASTING ALLOY
SEALS: NEOPRENE
 - 2 SURFACE: VARNISH -ALUMINIUM OXIDE +
VARNISH BLACK
-GREY
 - 3 VARNISH ON THE INSIDE NOT NECESSARY
 - 4 WITHOUT TE LOGO
 - 5 PACKAGING QUANTITY: 5 PIECES IN A BOX



QTY	DESCRIPTION	MATERIAL	SURFACE	COLOR	ITEM NO	REMARKS
1	FLANGE SEAL	VITON		BLACK	17	
1	PROFILE SEAL	VITON		BLACK	16	
1	SURFACE MOUNTED HOUSING BOTTOM ENTRY HB	ALUMINIUM		GREY	15	
1	FLANGE SEAL	NEOPRENE		BLACK	14	CONDUCTIVE
1	PROFILE SEAL	NEOPRENE		BLACK	13	CONDUCTIVE
1	COVER HB	ALUMINIUM	Chromit AL PASSIVATION	BLACK	12	
1	SURFACE MOUNTED HOUSING BOTTOM ENTRY HB	ALUMINIUM	Chromit AL PASSIVATION	BLACK	11	
1	VS-CLIP BOLT	STAINLESS STEEL	BLANK		10	
1	VS-CLIP BOLT	STEEL	ZINC PLATED	BLUE	9	
1	FLANGE SEAL	NEOPRENE		BLACK	8	
1	COVER HB-K	ALUMINIUM	ALUMINIUM OXIDE	BLACK	7	
1	COVER HB	ALUMINIUM		GREY	6	
1	PROFILE SEAL	NEOPRENE		BLACK	5	
1	LB-SIDE CLIP	STAINLESS STEEL	BLANK		4	
1	LB-SIDE CLIP	STEEL	ZINC PLATED	BLUE	3	
1	SURFACE MOUNTED HOUSING BOTTOM ENTRY HB-K	ALUMINIUM	ALUMINIUM OXIDE	BLACK	2	
1	SURFACE MOUNTED HOUSING BOTTOM ENTRY HB	ALUMINIUM		GREY	1	

ORDERING TEXT

OBsolete	HB-24-AGD-LB-V								
OBsolete	HB-EMV-24-AGD-LB								
OBsolete	HB-24-AGD-LB								
OBsolete	HB-24-AGD-LB								
OBsolete	HB-K-24-AGD								
OBsolete	HB-24-AGD								
OBsolete	HB-K-24-AGD-LB								
OBsolete	HB-24-AGD-LB								

THIS DRAWING IS A CONTROLLED DOCUMENT. DWN: Schneider 03.04.2000
 CHK: 03.04.2000

TE Connectivity

NAME: SURFACE MOUNTED HOUSING BOTTOM ENTRY HB.24.AGD

PRODUCT SPEC: 108-74001/108-74003
 APPLICATION SPEC: 114-74001/114-74004

SIZE: A1 CAGE CODE: 00779 DRAWING NO: 1102340 RESTRICTED TO: 1 OF 1

SCALE: 1:1 SHEET: 1 OF 1 REV: C2